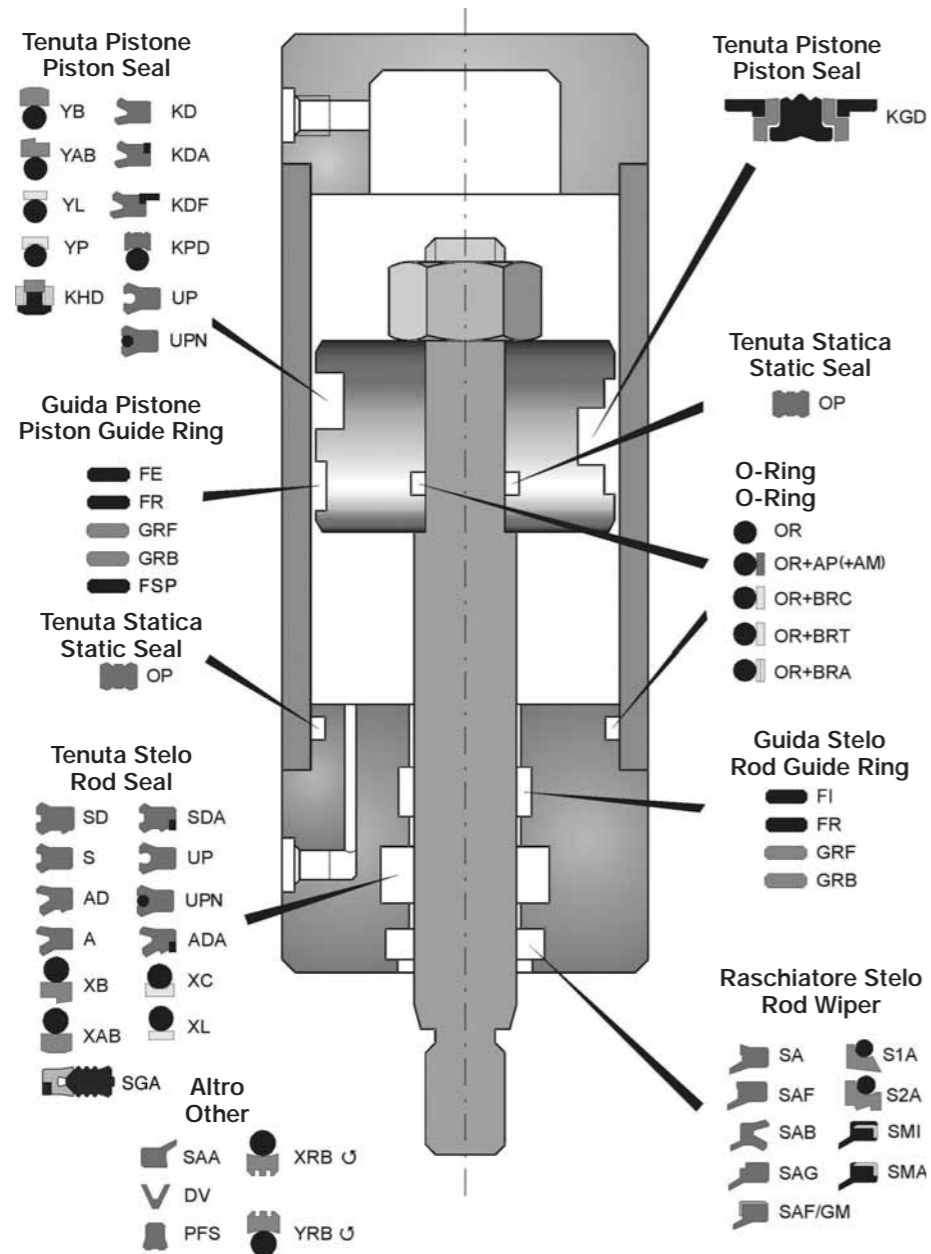


SCHEMA CILINDRO IDRAULICO - HYDRAULIC CYLINDER SKETCH











ANELLI RASCHIATORI - WIPERS






| Tipo - Type | | P (bar) | V (m/s) | T (°C) | Mat. | Pag. |
|-------------|--|---------|---------|----------------------------|----------------------------|------|
| SA | | - | 0.8 | -40 ± +100 | TPU | 6 |
| SAF | | - | 0.8 | -40 ± +100 | TPU | 7 |
| SAG | | - | 0.8 | -40 ± +100 | TPU | 8 |
| SAB | | 15 | 0.8 | -40 ± +100 | TPU | 8 |
| SAF/GM | | - | 0.8 | -40 ± +100 | TPU + Metal | 9 |
| SMI | | - | 2.0 | -30 ± +100 | NBR + Metal | 9 |
| SMA | | - | 2.2 | -30 ± +100 | NBR + Metal | 10 |
| SAA | | - | 0.8 | -40 ± +100 | TPU | 11 |
| S1A | | - | 15 | -30 ± +130 (-50 ± +200) | PTFE + NBR (PTFE + FKM) | 11 |
| S2A | | - | 15 | -30 ± +130 (-50 ± +200) | PTFE + NBR (PTFE + FKM) | 12 |








GUARNIZIONI STELO - ROD SEALS

| Tipo - Type | | P (bar) | V (m/s) | T (°C) | Mat. | Pag. |
|-------------|--|---------|---------|------------|-----------|------|
| SD | | 400 | 0.5 | -40 ÷ +100 | TPU | 13 |
| SDA | | 500 | 0.5 | -40 ÷ +100 | TPU + POM | 15 |
| S | | 400 | 0.5 | -40 ÷ +100 | TPU | 16 |




| Tipo - Type | | P (bar) | V (m/s) | T (°C) | Mat. | Pag. |
|-------------|---|---------|---------|----------------------------|----------------------------|------|
| A |  | 400 | 0.5 | -40 ÷ +100 | TPU | 16 |
| AD |  | 400 | 0.5 | -40 ÷ +100 | TPU | 17 |
| SGA |  | 700 | 0.5 | -40 ÷ +110 | NBR + POM + TPE | 18 |
| XB |  | 600 | 15 | -30 ± +130 (-50 ± +200) | PTFE + NBR (PTFE + FKM) | 18 |
| XAB |  | 600 | 15 | -30 ± +130 (-50 ± +200) | PTFE + NBR (PTFE + FKM) | 19 |
| XRB |  | 400 | 1 | -30 ± +130 (-50 ± +200) | PTFE + NBR (PTFE + FKM) | 20 |
| XL |  | 160 | 2 | -30 ± +130 (-50 ± +200) | PTFE + NBR (PTFE + FKM) | 21 |
| XC |  | 210 | 4 | -30 ± +130 (-50 ± +200) | PTFE + NBR (PTFE + FKM) | 22 |

GUARNIZIONI PISTONE - PISTON SEALS



| Tipo - Type | | P (bar) | V (m/s) | T (°C) | Mat. | Pag. |
|-------------|---|---------|---------|------------|-----------|------|
| KD |  | 400 | 0.5 | -40 ± +100 | TPU | 24 |
| KDA |  | 500 | 0.5 | -40 ± +100 | TPU + POM | 25 |
| KDF |  | 400 | 0.5 | -40 ± +100 | TPU + POM | 25 |
| SP |  | - | - | -40 ± +110 | POM | 26 |
| KPD |  | 400 | 0.5 | -30 ± +100 | TPU + NBR | 26 |

| Tipo - Type | | P (bar) | V (m/s) | T (°C) | Mat. | Pag. |
|-------------|---|---------|---------|----------------------------|----------------------------|------|
| KGD |  | 400 | 0.5 | -40 ± +110 | NBR + POM + TPE | 27 |
| YB |  | 600 | 15 | -30 ± +130 (-50 ± +200) | PTFE + NBR (PTFE + FKM) | 30 |
| YAB |  | 600 | 15 | -30 ± +130 (-50 ± +200) | PTFE + NBR (PTFE + FKM) | 31 |
| KHD |  | 500 | 1.5 | -20 ± +120 | PTFE + NBR + PA | 32 |
| YL |  | 160 | 2 | -30 ± +130 (-50 ± +200) | PTFE + NBR (PTFE + FKM) | 33 |
| YP |  | 210 | 4 | -30 ± +130 (-50 ± +200) | PTFE + NBR (PTFE + FKM) | 34 |
| YRB |  | 400 | 1 | -30 ± +130 (-50 ± +200) | PTFE + NBR (PTFE + FKM) | 35 |

GUARNIZIONI STELO E PISTONE - ROD AND PISTON SEALS

| Tipo - Type | | P (bar) | V (m/s) | T (°C) | Mat. | Pag. |
|-------------|---|---------|---------|------------|-----------|------|
| UP |  | 400 | 0.5 | -40 ÷ +100 | TPU | 36 |
| UPN |  | 400 | 0.5 | -40 ÷ +100 | TPU + NBR | 39 |
| OP |  | 500 | * | -30 ÷ +80 | TPU | 42 |

ANELLI DI GUIDA - GUIDE RINGS

| Tipo - Type | | P (bar) | V (m/s) | T (°C) | Mat. | Pag. |
|-------------|---|---------|---------|------------|------|------|
| FI |  | - | 1 | -40 ÷ +110 | POM | 44 |
| FE |  | - | 1 | -40 ÷ +110 | POM | 45 |

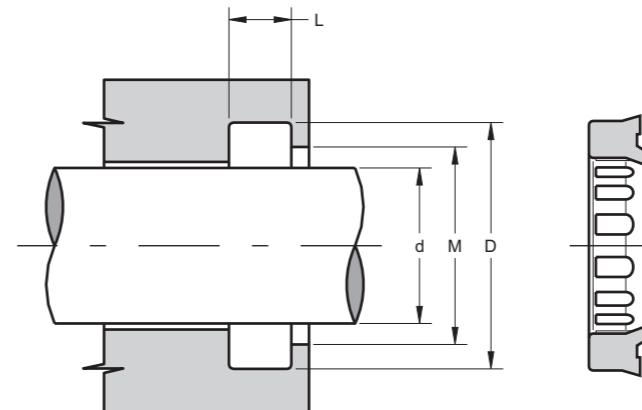
| Tipo - Type | | P (bar) | V (m/s) | T (°C) | Mat. | Pag. |
|-------------|--|---------|---------|------------|----------|------|
| FR | | - | 1 | -40 ÷ +110 | POM | 46 |
| GRF | | - | 1 | -40 ÷ +130 | Phenolic | 47 |
| GRB | | - | 5 | -50 ÷ +200 | PTFE | 48 |
| MRB | | - | 5 | -50 ÷ +200 | PTFE | 50 |
| FSP | | - | 0.8 | -40 ÷ +110 | POM | 51 |

ALTRI PRODOTTI - OTHER

| Tipo - Type | | P (bar) | V (m/s) | T (°C) | Mat. | Pag. |
|-------------|--|---------|---------|------------|------|------|
| OR | | * | * | -30 ÷ +130 | NBR | 51 |
| AP | | * | 0.8 | -40 ÷ +140 | TPE | 51 |
| AM | | * | 0.8 | -40 ÷ +140 | TPE | 57 |
| PFS | | 500 | - | -40 ÷ +100 | TPU | 58 |
| DV | | - | - | -40 ÷ +100 | TPU | 58 |

* in funzione delle condizioni d'esercizio - depending on working conditions

SA RASCHIATORE STELO CON TENUTA STATICA ROD WIPER WITH EXTERNAL LIP



| Codice - Part No. | d ^{f7} | D ^{H10} | L ^{+0.2} | M ^{+0.2} | €uro |
|-------------------|-----------------|------------------|-------------------|-------------------|------|
| SA 4 | 4 | 12.0 | 3.0 | 9.0 | 0,37 |
| SA 5/S | 5 | 12.0 | 2.8 | 9.0 | 0,37 |
| SA 6/S | 6 | 12.0 | 3.0 | 9.0 | 0,43 |
| SA 8 | 8 | 14.6 | 3.8 | 11.0 | 0,43 |
| SA 9/S | 9 | 13.0 | 2.5 | 12.0 | 0,43 |
| SA 10 | 10 | 16.6 | 3.8 | 13.8 | 0,46 |
| SA 10/S | 10 | 15.0 | 1.0 | 13.0 | 0,46 |
| SA 12 | 12 | 18.6 | 3.8 | 15.0 | 0,46 |
| SA 13 | 13 | 19.6 | 3.8 | 16.0 | 0,50 |
| SA 14 | 14 | 20.6 | 3.8 | 17.0 | 0,55 |
| SA 15 | 15 | 21.6 | 3.8 | 18.0 | 0,55 |
| SA 16 | 16 | 22.6 | 3.8 | 19.0 | 0,55 |
| SA 16/A | 16 | 22.5 | 3.0 | 19.0 | 0,55 |
| SA 17 | 17 | 23.6 | 3.8 | 20.0 | 0,55 |
| SA 18 | 18 | 24.6 | 3.8 | 21.0 | 0,55 |
| SA 20 | 20 | 28.6 | 5.3 | 23.0 | 0,55 |
| SA 20/A | 20 | 26.0 | 3.4 | 23.0 | 0,55 |
| SA 22 | 22 | 30.6 | 5.3 | 25.0 | 0,57 |
| SA 22/A2 | 22 | 30.6 | 2.2 | 25.0 | 0,57 |
| SA 24 | 24 | 32.6 | 5.3 | 27.0 | 0,57 |
| SA 24/A2 | 24 | 32.6 | 2.2 | 27.0 | 0,57 |
| SA 25 | 25 | 33.6 | 5.3 | 28.0 | 0,57 |

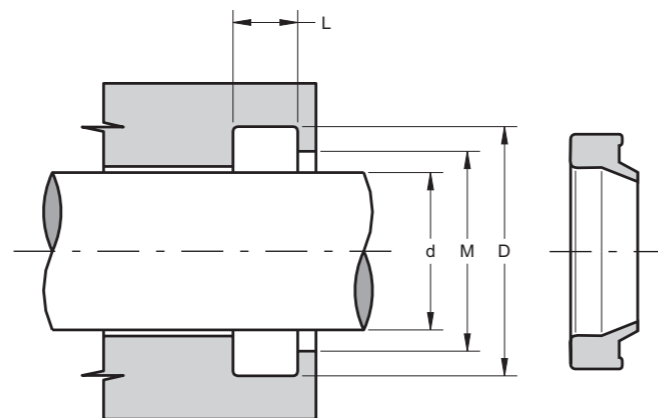
| Codice - Part No. | d ^{f7} | D ^{H10} | L ^{+0.2} | M ^{+0.2} | €uro |
|-------------------|-----------------|------------------|-------------------|-------------------|------|
| SA 25/H | 25 | 32.5 | 1.6 | 27.9 | 0,57 |
| SA 28 | 28 | 36.6 | 5.3 | 31.0 | 0,63 |
| SA 30 | 30 | 38.6 | 5.3 | 33.0 | 0,69 |
| SA 30/A2 | 30 | 40.0 | 3.0 | 34.5 | 0,69 |
| SA 32 | 32 | 40.6 | 5.3 | 35.0 | 0,69 |
| SA 32/H | 32 | 32.5 | 1.6 | 34.9 | 0,69 |
| SA 35 | 35 | 43.6 | 5.3 | 38.0 | 0,69 |
| SA 35/A | 35 | 43.6 | 5.0 | 38.0 | 0,69 |
| SA 35/A2 | 35 | 45.0 | 4.0 | 39.0 | 0,69 |
| SA 36 | 36 | 44.6 | 5.3 | 39.0 | 0,69 |
| SA 38 | 38 | 46.6 | 5.3 | 41.0 | 0,78 |
| SA 40 | 40 | 48.6 | 5.3 | 43.0 | 0,78 |
| SA 42 | 42 | 50.6 | 5.3 | 45.0 | 0,78 |
| SA 45 | 45 | 53.6 | 5.3 | 48.0 | 0,78 |
| SA 45/A | 45 | 55.6 | 5.3 | 48.0 | 0,83 |
| SA 45/A2 | 45 | 60.0 | 4.2 | 53.0 | 0,89 |
| SA 48 | 48 | 56.6 | 5.3 | 51.0 | 0,92 |
| SA 50 | 50 | 58.6 | 5.3 | 53.0 | 0,92 |
| SA 50/A | 50 | 60.6 | 5.3 | 53.0 | 0,92 |
| SA 50/A2 | 50 | 65.5 | 4.2 | 58.0 | 1,03 |
| SA 55 | 55 | 63.6 | 5.3 | 58.0 | 0,98 |
| SA 55/A | 55 | 65.6 | 5.3 | 58.0 | 0,98 |
| SA 56 | 56 | 64.6 | 5.3 | 59.0 | 1,01 |
| SA 56/A | 56 | 66.6 | 5.3 | 59.0 | 1,01 |
| SA 60 | 60 | 68.6 | 5.3 | 63.0 | 1,01 |
| SA 60/A | 60 | 70.6 | 5.3 | 63.0 | 1,01 |
| SA 60/S | 60 | 70.6 | 5.5 | 66.0 | 1,01 |
| SA 63 | 63 | 71.6 | 5.3 | 66.0 | 1,01 |
| SA 63/A | 63 | 73.6 | 5.3 | 66.0 | 1,01 |
| SA 65 | 65 | 73.6 | 5.3 | 68.0 | 1,01 |
| SA 65/A | 65 | 75.6 | 5.3 | 68.0 | 1,01 |
| SA 70 | 70 | 78.6 | 5.3 | 73.0 | 1,01 |
| SA 70/A | 70 | 82.6 | 7.1 | 76.0 | 1,01 |
| SA 70/B | 70 | 80.6 | 5.3 | 73.0 | 1,01 |
| SA 73/A | 73 | 83.6 | 7.3 | 76.0 | 1,03 |
| SA 75 | 75 | 83.6 | 5.3 | 78.0 | 1,03 |
| SA 75/A | 75 | 87.2 | 7.1 | 81.0 | 1,03 |
| SA 78/A | 78 | 90.0 | 7.5 | 83.0 | 1,08 |
| SA 78/S | 78 | 88.6 | 5.5 | 84.0 | 1,08 |
| SA 80 | 80 | 88.6 | 5.3 | 83.0 | 1,12 |

| Codice - Part No. | d ^{f7} | D ^{H10} | L ^{+0.2} | M ^{+0.2} | €uro |
|-------------------|-----------------|------------------|-------------------|-------------------|------|
| SA 80/A | 80 | 92.6 | 7.1 | 86.0 | 1,24 |
| SA 85 | 85 | 97.2 | 7.1 | 91.0 | 1,26 |
| SA 85/A | 85 | 93.6 | 5.3 | 88.0 | 1,24 |
| SA 90 | 90 | 102.2 | 7.1 | 96.0 | 1,26 |
| SA 90/C | 90 | 98.2 | 5.3 | 93.0 | 1,26 |
| SA 95 | 95 | 107.2 | 7.1 | 101.0 | 1,41 |
| SA 99/S | 99 | 109.6 | 5.5 | 105.0 | 1,47 |
| SA 100 | 100 | 112.2 | 7.1 | 106.0 | 1,47 |
| SA 105 | 105 | 117.2 | 7.1 | 111.0 | 1,47 |
| SA 110 | 110 | 122.2 | 7.1 | 116.0 | 1,49 |
| SA 115 | 115 | 127.2 | 7.1 | 121.0 | 1,67 |
| SA 115/B | 115 | 123.2 | 5.3 | 118.0 | 1,67 |
| SA 120 | 120 | 132.2 | 7.1 | 126.0 | 1,75 |
| SA 120/S | 120 | 130.6 | 5.5 | 126.0 | 1,75 |
| SA 125 | 125 | 137.2 | 7.1 | 131.0 | 1,84 |
| SA 130 | 130 | 142.2 | 7.1 | 136.0 | 1,98 |
| SA 135 | 135 | 147.2 | 7.1 | 141.0 | 2,13 |
| SA 140 | 140 | 152.2 | 7.1 | 146.0 | 2,15 |
| SA 141/S | 141 | 151.6 | 5.5 | 147.0 | 2,17 |
| SA 145 | 145 | 157.2 | 7.1 | 151.0 | 2,24 |
| SA 150 | 150 | 162.2 | 7.1 | 156.0 | 2,61 |
| SA 150/B | 150 | 158.2 | 5.3 | 153.0 | 2,61 |
| SA 160 | 160 | 175.2 | 10.1 | 168.0 | 3,53 |
| SA 162/S | 162 | 172.6 | 5.5 | 168.0 | 3,79 |
| SA 170 | 170 | 185.2 | 10.1 | 178.0 | 4,57 |
| SA 180 | 180 | 195.2 | 10.1 | 188.0 | 5,17 |
| SA 183/S | 183 | 193.6 | 5.5 | 189.0 | 5,38 |
| SA 190 | 190 | 205.2 | 10.1 | 198.0 | 5,92 |
| SA 190/A | 190 | 210.0 | 10.1 | 200.0 | 6,00 |
| SA 200 | 200 | 215.2 | 10.1 | 208.0 | 6,00 |
| SA 207/S | 207 | 217.6 | 5.5 | 213.0 | 6,22 |
| SA 210 | 210 | 225.2 | 10.1 | 218.0 | 6,29 |
| SA 220 | 220 | 235.2 | 10.1 | 228.0 | 7,10 |
| SA 230 | 230 | 245.2 | 10.1 | 238.0 | 7,47 |
| SA 240 | 240 | 255.2 | 10.1 | 248.0 | 7,84 |
| SA 250 | 250 | 265.2 | 10.1 | 258.0 | 8,27 |

Misure in pollici - Inch sizes

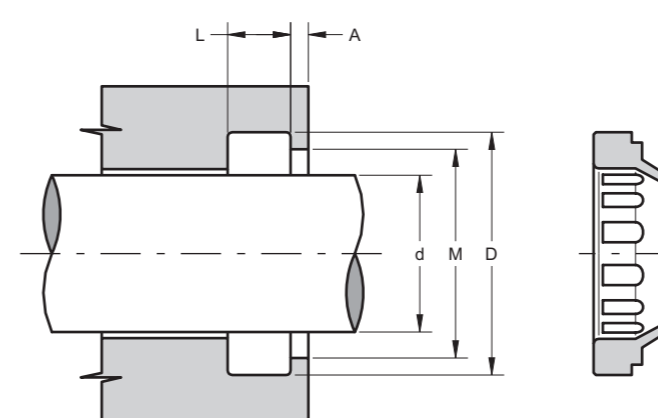
| | | | | | |
|--------------|------|------|------|------|------|
| SA 1500 1875 | 38.1 | 47.6 | 4.75 | 42.1 | 0,78 |
|--------------|------|------|------|------|------|

SAF RASCHIATORE STELO LIBERO ROD WIPER



| Codice - Part No. | d ^{f7} | D ^{H10} | L ^{+0.2} | M ^{+0.2} | €uro |
|-------------------|-----------------|------------------|-------------------|-------------------|------|
| SAF 15 | 15 | 21.6 | 3.8 | 18.0 | 0,55 |
| SAF 16 | 16 | 22.6 | 3.8 | 19.0 | 0,55 |
| SAF 18 | 18 | 24.6 | 3.8 | 21.0 | 0,55 |
| SAF 20 | 20 | 28.6 | 5.3 | 23.0 | 0,55 |
| SAF 25 | 25 | 33.6 | 5.3 | 28.0 | 0,57 |
| SAF 25/S | 25 | 33.6 | 5.0 | 28.0 | 0,57 |
| SAF 28 | 28 | 36.6 | 5.3 | 31.0 | 0,63 |
| SAF 28/A | 28 | 33.6 | 3.2 | 30.6 | 0,63 |
| SAF 30 | 30 | 38.6 | 5.3 | 33.0 | 0,69 |
| SAF 30/B | 30 | 42.0 | 3.2 | 34.4 | 0,69 |
| SAF 32 | 32 | 40.6 | 5.3 | 35.0 | 0,69 |
| SAF 35 | 35 | 43.6 | 5.3 | 38.0 | 0,69 |
| SAF 36 | 36 | 44.6 | 5.3 | 39.0 | 0,69 |
| SAF 40 | 40 | 48.6 | 5.3 | 43.0 | 0,78 |
| SAF 40/A | 40 | 52.0 | 3.2 | 45.0 | 0,78 |
| SAF 42 | 42 | 50.6 | 5.3 | 45.0 | 0,78 |
| SAF 50 | 50 | 58.6 | 5.3 | 53.0 | 0,92 |
| SAF 60 | 60 | 68.6 | 5.3 | 63.0 | 1,01 |
| SAF 63/B | 63 | 73.0 | 6.3 | 70.0 | 1,01 |
| SAF 65 | 65 | 73.6 | 5.3 | 68.0 | 1,01 |
| SAF 65/B | 65 | 72.6 | 2.3 | 68.0 | 1,01 |
| SAF 65/C | 65 | 77.0 | 3.2 | 70.0 | 1,01 |
| SAF 200/A | 200 | 215.0 | 9.5 | 210.0 | 6,00 |
| SAF 3000 | 76.2 | 88.9 | 6.3 | 83.9 | 1,50 |
| SAF 6500 | 165.1 | 190.5 | 12.7 | 182.9 | 9,35 |
| SAF 7000 | 177.8 | 203.2 | 12.7 | 195.6 | 9,84 |

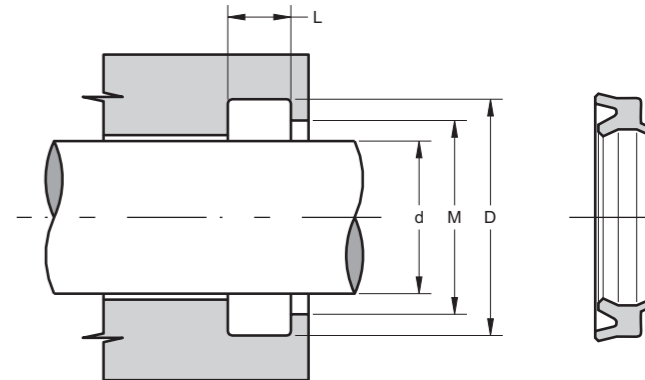
SAG RASCHIATORE STELO CON GRADINO ROD WIPER WITH SHOULDER



| Codice - Part No. | d ^{f7} | D ^{+0.1} | L ^{+0.15} | M ^{H11} | A ^{+0.1} | €uro |
|-------------------|-----------------|-------------------|--------------------|------------------|-------------------|------|
| SAG 16 | 16 | 24 | 4 | 22 | 1 | 0,49 |
| SAG 20 | 20 | 28 | 4 | 26 | 1 | 0,55 |
| SAG 22 | 22 | 30 | 4 | 28 | 1 | 0,57 |
| SAG 24 | 24 | 32 | 4 | 30 | 1 | 0,57 |
| SAG 25 | 25 | 33 | 4 | 31 | 1 | 0,57 |
| SAG 25/A | 25 | 33.6 | 5.5 | 31.4 | 4 | 0,57 |
| SAG 28 | 28 | 36 | 4 | 34 | 1 | 0,63 |
| SAG 30 | 30 | 38 | 4 | 36 | 1 | 0,69 |
| SAG 32 | 32 | 40 | 4 | 38 | 1 | 0,69 |
| SAG 35 | 35 | 43 | 4 | 41 | 1 | 0,69 |
| SAG 36 | 36 | 44 | 4 | 42 | 1 | 0,69 |
| SAG 38 | 38 | 46 | 4 | 44 | 1 | 0,73 |
| SAG 40 | 40 | 48 | 4 | 46 | 1 | 0,78 |
| SAG 42 | 42 | 50 | 4 | 48 | 1 | 0,78 |
| SAG 45 | 45 | 53 | 4 | 51 | 1 | 0,78 |
| SAG 50 | 50 | 58 | 4 | 56 | 1 | 0,92 |
| SAG 54 | 54 | 62 | 4 | 60 | 1 | 0,96 |
| SAG 55 | 55 | 63 | 4 | 61 | 1 | 0,98 |
| SAG 56 | 56 | 64 | 4 | 62 | 1 | 0,98 |
| SAG 60 | 60 | 68 | 4 | 66 | 1 | 1,01 |
| SAG 63 | 63 | 71 | 4 | 69 | 1 | 1,01 |
| SAG 65 | 65 | 73 | 4 | 71 | 1 | 1,01 |
| SAG 70 | 70 | 78 | 4 | 76 | 1 | 1,01 |

| Codice - Part No. | d ^{f7} | D ^{+0.1} | L ^{+0.15} | M ^{H11} | A ^{+0.1} | €uro |
|-------------------|-----------------|-------------------|--------------------|------------------|-------------------|------|
| SAG 75 | 75 | 83 | 4 | 81 | 1 | 1,03 |
| SAG 80 | 80 | 88 | 4 | 86 | 1 | 1,12 |
| SAG 85 | 85 | 93 | 4 | 91 | 1 | 1,26 |
| SAG 90 | 90 | 98 | 4 | 96 | 1 | 1,26 |
| SAG 100 | 100 | 108 | 4 | 106 | 1 | 1,38 |
| SAG 100/A | 100 | 108 | 6 | 103.5 | 2 | 1,38 |
| SAG 110 | 110 | 122 | 5.5 | 119 | 1.5 | 1,50 |
| SAG 120/A | 120 | 132 | 8.2 | 125 | 2.5 | 1,75 |
| SAG 140/A | 140 | 152 | 8.2 | 145 | 2.5 | 2,15 |

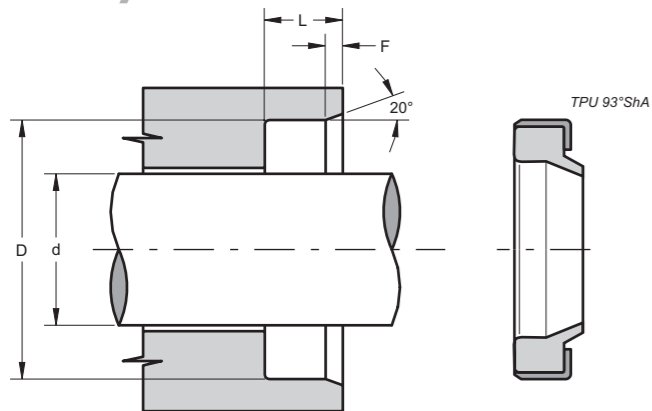
SAB RASCHIATORE STELO BIDIREZIONALE ROD BIDIRECTIONAL SCRAPER



| Codice - Part No. | d ^{f7} | D ^{H10} | L ^{+0.2} | M ^{+0.2} | €uro |
|-------------------|-----------------|------------------|-------------------|-------------------|------|
| SAB 10 20 6 | 10 | 20.0 | 6.5 | 14.0 | 1,06 |
| SAB 12 | 12 | 18.6 | 3.8 | 15.0 | 1,06 |
| SAB 12 26 6.6 | 12 | 26.0 | 7.0 | 15.0 | 1,06 |
| SAB 14/ISO | 14 | 20.0 | 4.0 | 16.5 | 1,12 |
| SAB 18 | 18 | 24.6 | 3.8 | 21.0 | 1,12 |
| SAB 20 | 20 | 28.6 | 5.3 | 23.0 | 1,24 |
| SAB 22 | 22 | 30.6 | 5.3 | 25.0 | 1,32 |
| SAB 22/ISO | 22 | 28.0 | 4.0 | 24.5 | 1,32 |
| SAB 25 | 25 | 33.6 | 5.3 | 28.0 | 1,38 |
| SAB 28 | 28 | 36.6 | 5.3 | 31.0 | 1,41 |
| SAB 28/ISO | 28 | 36.0 | 5.0 | 31.0 | 1,41 |
| SAB 30 | 30 | 38.6 | 5.3 | 33.0 | 1,44 |
| SAB 30/A | 30 | 38.0 | 5.0 | 33.0 | 1,44 |
| SAB 32 | 32 | 40.6 | 5.3 | 35.0 | 1,55 |

| Codice - Part No. | d ^{f7} | D ^{H10} | L ^{+0.2} | M ^{+0.2} | €uro |
|-------------------|-----------------|------------------|-------------------|-------------------|------|
| SAB 35 | 35 | 43.6 | 5.3 | 38.0 | 1,69 |
| SAB 36 | 36 | 44.6 | 5.3 | 39.0 | 1,92 |
| SAB 40 | 40 | 48.6 | 5.3 | 43.0 | 1,98 |
| SAB 40/ISO | 40 | 48.0 | 5.0 | 43.0 | 1,98 |
| SAB 42 | 42 | 50.6 | 5.3 | 45.0 | 2,00 |
| SAB 45 | 45 | 53.6 | 5.3 | 48.0 | 2,01 |
| SAB 50 | 50 | 58.6 | 5.3 | 53.0 | 2,04 |
| SAB 55 | 55 | 63.6 | 5.3 | 58.0 | 2,18 |
| SAB 55/A | 55 | 65.0 | 6.0 | 58.0 | 2,25 |
| SAB 60 | 60 | 68.6 | 5.3 | 63.0 | 2,24 |
| SAB 63 | 63 | 71.6 | 5.3 | 66.0 | 2,44 |
| SAB 63/ISO | 63 | 73.0 | 6.0 | 66.0 | 2,44 |
| SAB 65 | 65 | 73.6 | 5.3 | 68.0 | 2,47 |
| SAB 70 | 70 | 78.6 | 5.3 | 73.0 | 2,50 |
| SAB 75 | 75 | 83.6 | 5.3 | 78.0 | 2,50 |
| SAB 80 | 80 | 88.6 | 5.3 | 83.0 | 2,53 |
| SAB 85 | 85 | 97.2 | 7.1 | 91.0 | 2,61 |
| SAB 90 | 90 | 102.2 | 7.1 | 96.0 | 2,67 |
| SAB 100 | 100 | 112.2 | 7.1 | 106.0 | 2,99 |
| SAB 110 | 110 | 122.2 | 7.1 | 116.0 | 3,53 |

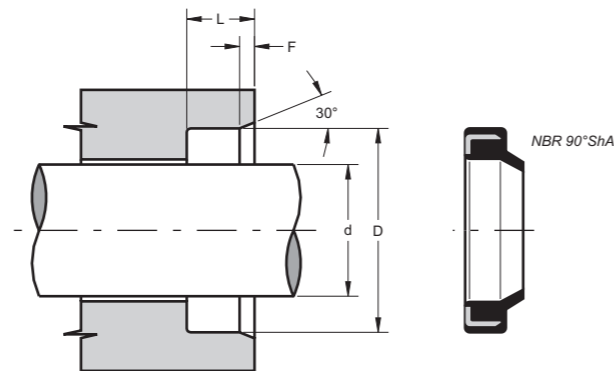
SAF/GM RASCHIATORE STELO CON INSERTO METALLICO ESTERNO - ROD WIPER WITH EXTERNAL METAL CAGE



| Codice - Part No. | d ^{f7} | D ^{H8} | L ^{+0.2} | F | €uro |
|-------------------|-----------------|-----------------|-------------------|-----|------|
| SAF 15 23 4.5 /GM | 15 | 23 | 4.5 | 0.5 | 0,97 |
| SAF 16 24 4.5 /GM | 16 | 24 | 4.5 | 0.5 | 0,99 |

| Codice - Part No. | d ^{f7} | D ^{H8} | L ^{+0.2} | F | €uro |
|-------------------|-----------------|-----------------|-------------------|-----|------|
| SAF 18 26 4.5 /GM | 18 | 26 | 4.5 | 0.5 | 0,99 |
| SAF 20 30 6 /GM | 20 | 30 | 6.0 | 0.8 | 1,02 |
| SAF 25 35 6 /GM | 25 | 35 | 6.0 | 0.8 | 1,09 |
| SAF 28 38 6 /GM | 28 | 38 | 6.0 | 0.8 | 1,12 |
| SAF 30 40 6 /GM | 30 | 40 | 6.0 | 0.8 | 1,19 |
| SAF 32 42 6 /GM | 32 | 42 | 6.0 | 0.8 | 1,23 |
| SAF 35 45 6 /GM | 35 | 45 | 6.0 | 0.8 | 1,23 |
| SAF 36 46 6 /GM | 36 | 46 | 6.0 | 0.8 | 1,23 |
| SAF 40 50 6 /GM | 40 | 50 | 6.0 | 0.8 | 1,29 |
| SAF 42 52 6 /GM | 42 | 52 | 6.0 | 0.8 | 1,31 |
| SAF 50 60 6 /GM | 50 | 60 | 6.0 | 0.8 | 1,40 |
| SAF 60 70 6 /GM | 60 | 70 | 6.0 | 0.8 | 1,56 |
| SAF 65 75 6 /GM | 65 | 75 | 6.0 | 0.8 | 1,77 |

SMI RASCHIATORE STELO CON INSERTO METALLICO INTERNO ROD WIPER WITH INTERNAL METAL CAGE

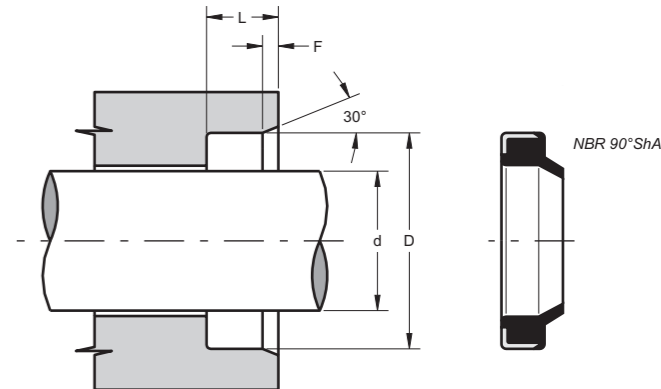


| Codice - Part No. | d ^{f7} | D ^{H8} | L ^{+0.2} | F | €uro |
|-------------------|-----------------|-----------------|-------------------|-----|------|
| SMI 6 13 3.5 | 6 | 13 | 3.5 | 0.5 | 1,34 |
| SMI 8 14 3.5 | 8 | 14 | 3.5 | 0.6 | 1,34 |
| SMI 10 16 3.5 | 10 | 16 | 3.5 | 0.6 | 1,39 |
| SMI 12 18 3.5 | 12 | 18 | 3.5 | 0.6 | 1,39 |
| SMI 14 20 3.5 | 14 | 20 | 3.5 | 0.6 | 1,51 |
| SMI 15 21 3.5 | 15 | 21 | 3.5 | 0.6 | 1,51 |
| SMI 15 25 5 | 15 | 25 | 5.0 | 1.0 | 1,51 |
| SMI 16 22 3.5 | 16 | 22 | 3.5 | 0.5 | 1,51 |
| SMI 16 26 5 | 16 | 26 | 5.0 | 1.0 | 1,51 |
| SMI 18 24 4 | 18 | 24 | 4.0 | 0.8 | 1,51 |

| Codice - Part No. | d ^{f7} | D ^{H8} | L ^{+0.2} | F | €uro |
|-------------------|-----------------|-----------------|-------------------|-----|------|
| SMI 18 28 5 | 18 | 28 | 5.0 | 1.0 | 1,53 |
| SMI 20 30 5 | 20 | 30 | 5.0 | 1.0 | 1,53 |
| SMI 20 30 7 | 20 | 30 | 7.0 | 1.5 | 1,53 |
| SMI 22 32 5 | 22 | 32 | 5.0 | 1.0 | 1,67 |
| SMI 22 32 7 | 22 | 32 | 7.0 | 1.5 | 1,67 |
| SMI 25 35 5 | 25 | 35 | 5.0 | 1.0 | 1,67 |
| SMI 25 35 7 | 25 | 35 | 7.0 | 1.5 | 1,67 |
| SMI 26 35 7 | 26 | 35 | 7.0 | 1.5 | 1,67 |
| SMI 28 38 5 | 28 | 38 | 5.0 | 1.0 | 1,78 |
| SMI 30 40 5 | 30 | 40 | 5.0 | 1.0 | 1,78 |
| SMI 30 40 7 | 30 | 40 | 7.0 | 1.5 | 1,78 |
| SMI 32 42 5 | 32 | 42 | 5.0 | 1.0 | 1,84 |
| SMI 35 45 7 | 35 | 45 | 7.0 | 1.5 | 1,84 |
| SMI 36 45 7 | 36 | 45 | 7.0 | 1.5 | 1,84 |
| SMI 36 46 5 | 36 | 46 | 5.0 | 1.0 | 1,90 |
| SMI 38 48 7 | 38 | 48 | 7.0 | 1.5 | 1,95 |
| SMI 40 50 5 | 40 | 50 | 5.0 | 1.0 | 1,95 |
| SMI 40 50 7 | 40 | 50 | 7.0 | 1.5 | 1,95 |
| SMI 45 55 5 | 45 | 55 | 5.0 | 1.0 | 2,06 |
| SMI 45 55 7 | 45 | 55 | 7.0 | 1.5 | 2,06 |
| SMI 50 60 5 | 50 | 60 | 5.0 | 1.0 | 2,15 |
| SMI 50 60 7 | 50 | 60 | 7.0 | 1.5 | 2,15 |
| SMI 55 65 5 | 55 | 65 | 5.0 | 1.0 | 2,23 |
| SMI 55 65 7 | 55 | 65 | 7.0 | 1.5 | 2,23 |
| SMI 60 70 5 | 60 | 70 | 5.0 | 1.0 | 2,43 |
| SMI 60 70 7 | 60 | 70 | 7.0 | 1.5 | 2,43 |
| SMI 65 75 5 | 65 | 75 | 5.0 | 1.0 | 2,57 |
| SMI 65 75 7 | 65 | 75 | 7.0 | 1.5 | 2,57 |
| SMI 70 80 5 | 70 | 80 | 5.0 | 1.0 | 3,07 |
| SMI 70 80 7 | 70 | 80 | 7.0 | 1.5 | 3,07 |
| SMI 75 83 7 | 75 | 83 | 7.0 | 1.5 | 3,35 |
| SMI 75 85 7 | 75 | 85 | 7.0 | 1.5 | 3,35 |
| SMI 80 88 7 | 80 | 88 | 7.0 | 1.5 | 3,63 |
| SMI 80 90 7 | 80 | 90 | 7.0 | 1.5 | 3,63 |
| SMI 85 95 7 | 85 | 95 | 7.0 | 1.5 | 3,85 |
| SMI 90 100 7 | 90 | 100 | 7.0 | 1.5 | 4,10 |
| SMI 100 110 7 | 100 | 110 | 7.0 | 1.5 | 5,13 |
| SMI 100 120 7 | 100 | 120 | 7.0 | 1.5 | 5,75 |
| SMI 110 120 7 | 110 | 120 | 7.0 | 1.5 | 5,75 |
| SMI 120 130 7 | 120 | 130 | 7.0 | 1.5 | 6,69 |

| Codice - Part No. | d ^{f7} | D ^{H8} | L ^{+0.2} | F | €uro |
|-------------------|-----------------|-----------------|-------------------|-----|-------|
| SMI 130 145 9 | 130 | 145 | 9.0 | 2.0 | 8,37 |
| SMI 140 155 9 | 140 | 155 | 9.0 | 2.0 | 9,15 |
| SMI 150 165 9 | 150 | 165 | 9.0 | 2.0 | 11,46 |
| SMI 160 175 9 | 160 | 175 | 9.0 | 2.0 | 13,00 |

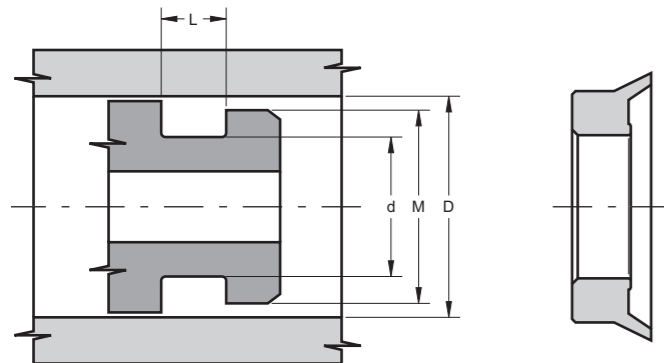
SMA RASCHIATORE STELO CON INSERTO METALLICO ESTERNO ROD WIPER WITH EXTERNAL METAL CAGE



| Codice - Part No. | d ^{f7} | D ^{H8} | L ^{+0.2} | F | €uro |
|-------------------|-----------------|-----------------|-------------------|-----|------|
| SMA 12 20 4 | 12 | 20 | 4 | 0.8 | 1,14 |
| SMA 16 22 3 | 16 | 22 | 3 | 0.5 | 1,23 |
| SMA 16 26 5 | 16 | 26 | 5 | 1.0 | 1,28 |
| SMA 20 28 3 | 20 | 28 | 3 | 0.6 | 1,48 |
| SMA 20 30 7 | 20 | 30 | 7 | 1.5 | 1,48 |
| SMA 22 28 5 | 22 | 28 | 5 | 1.0 | 1,55 |
| SMA 22 32 5 | 22 | 32 | 5 | 1.0 | 1,55 |
| SMA 25 35 7 | 25 | 35 | 7 | 1.5 | 1,62 |
| SMA 30 40 5 | 30 | 40 | 5 | 1.0 | 1,73 |
| SMA 32 45 7 | 32 | 45 | 7 | 1.5 | 1,83 |
| SMA 35 45 7 | 35 | 45 | 7 | 1.5 | 1,92 |
| SMA 40 50 5 | 40 | 50 | 5 | 1.0 | 2,09 |
| SMA 40 50 7 | 40 | 50 | 7 | 1.5 | 2,09 |
| SMA 45 55 7 | 45 | 55 | 7 | 1.5 | 2,26 |
| SMA 45 60 7 | 45 | 60 | 7 | 1.5 | 2,26 |
| SMA 50 60 7 | 50 | 60 | 7 | 1.5 | 2,37 |
| SMA 50 65 5 | 50 | 65 | 5 | 1.0 | 2,37 |
| SMA 55 65 7 | 55 | 65 | 7 | 1.0 | 2,37 |
| SMA 60 70 7 | 60 | 70 | 7 | 1.5 | 2,57 |

| Codice - Part No. | d ^{f7} | D ^{H8} | L ^{+0.2} | F | €uro |
|-------------------|-----------------|-----------------|-------------------|-----|------|
| SMA 65 75 7 | 65 | 75 | 7 | 1.5 | 2,96 |
| SMA 70 80 7 | 70 | 80 | 7 | 1.5 | 3,04 |
| SMA 75 85 7 | 75 | 85 | 7 | 1.5 | 3,35 |
| SMA 80 90 7 | 80 | 90 | 7 | 1.5 | 3,74 |
| SMA 90 100 7 | 90 | 100 | 7 | 1.5 | 4,07 |
| SMA 95 105 7 | 95 | 105 | 7 | 1.5 | 4,43 |
| SMA 100 110 7 | 100 | 110 | 7 | 1.5 | 4,63 |
| SMA 110 120 7 | 110 | 120 | 7 | 1.5 | 5,38 |
| SMA 120 130 7 | 120 | 130 | 7 | 1.5 | 5,91 |

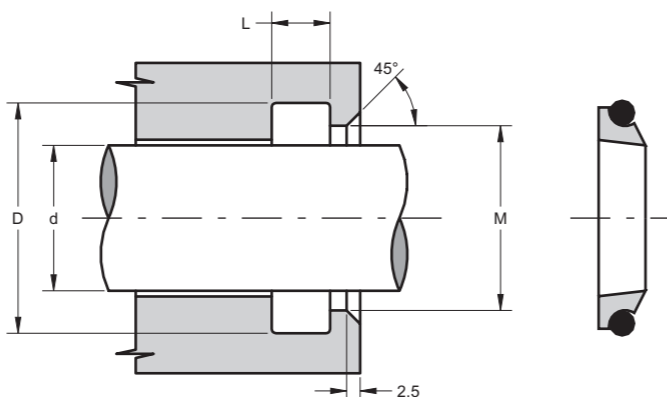
SAA RASCHIATORE PER ESTERNO EXTERNAL WIPER



| Codice - Part No. | D ^{H10} | d ^{+0.1} | L ^{+0.25} | M | €uro |
|-------------------|------------------|-------------------|--------------------|-------|------|
| SAA 30 | 30 | 21.4 | 5.3 | 27 | 0,62 |
| SAA 40 | 40 | 31.4 | 5.3 | 37 | 0,69 |
| SAA 50 | 50 | 41.4 | 5.3 | 47 | 0,78 |
| SAA 60 | 60 | 51.4 | 5.3 | 57 | 0,95 |
| SAA 63 | 63 | 54.4 | 5.3 | 60 | 1,01 |
| SAA 70 | 70 | 61.4 | 5.3 | 67 | 1,03 |
| SAA 80 | 80 | 71.4 | 5.3 | 77 | 1,06 |
| SAA 90 | 90 | 81.4 | 5.3 | 87 | 1,15 |
| SAA 95 | 95 | 86.4 | 5.3 | 92 | 1,26 |
| SAA 100 | 100 | 91.4 | 5.3 | 97 | 1,29 |
| SAA 100/B | 100 | 88.0 | 7.5 | 94 | 1,29 |
| SAA 110 | 110 | 101.4 | 5.3 | 107 | 1,38 |
| SAA 115/A | 115 | 107.0 | 5.0 | 111 | 1,44 |
| SAA 115/B | 115 | 100.0 | 10.0 | 107.5 | 1,44 |

| Codice - Part No. | D ^{H10} | d ^{+0.1} | L ^{+0.25} | M | €uro |
|-------------------|------------------|-------------------|--------------------|-----|------|
| SAA 120 | 120 | 111.4 | 5.3 | 117 | 1,49 |
| SAA 130 | 130 | 121.4 | 5.3 | 127 | 1,95 |
| SAA 140 | 140 | 131.4 | 5.3 | 137 | 1,98 |

S1A RASCHIATORE STELO - ROD WIPER

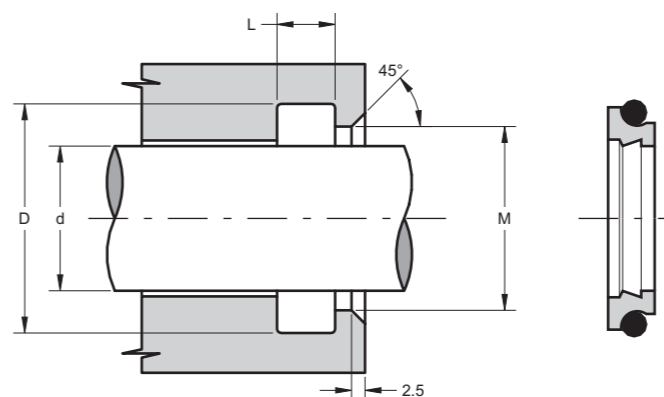


| Codice - Part No. | d ^{f8} | D ^{H9} | L ^{+0.2} | M ^{±0.1} | OR | €uro |
|-------------------|-----------------|-----------------|-------------------|-------------------|-----|------|
| S1A 8 12.8 3.7 | 8 | 12.8 | 3.7 | 10.7 | 012 | * |
| S1A 10 14.8 3.7 | 10 | 14.8 | 3.7 | 12.7 | 013 | * |
| S1A 12 18.8 5 | 12 | 18.8 | 5.0 | 15.5 | 113 | * |
| S1A 14 20.8 5 | 14 | 20.8 | 5.0 | 17.5 | 114 | * |
| S1A 15 21.8 5 | 15 | 21.8 | 5.0 | 18.5 | 115 | * |
| S1A 16 22.8 5 | 16 | 22.8 | 5.0 | 19.5 | 116 | * |
| S1A 18 24.8 5 | 18 | 24.8 | 5.0 | 21.5 | 117 | * |
| S1A 20 26.8 5 | 20 | 26.8 | 5.0 | 23.5 | 118 | * |
| S1A 24 30.8 5 | 24 | 30.8 | 5.0 | 27.5 | 120 | * |
| S1A 25 31.8 5 | 25 | 31.8 | 5.0 | 28.5 | 121 | * |
| S1A 28 34.8 5 | 28 | 34.8 | 5.0 | 31.5 | 123 | * |
| S1A 30 36.8 5 | 30 | 36.8 | 5.0 | 33.5 | 124 | * |
| S1A 32 38.8 5 | 32 | 38.8 | 5.0 | 35.5 | 126 | * |
| S1A 35 41.8 5 | 35 | 41.8 | 5.0 | 38.5 | 127 | * |
| S1A 40 46.8 5 | 40 | 46.8 | 5.0 | 43.5 | 131 | * |
| S1A 42 48.8 5 | 42 | 48.8 | 5.0 | 45.5 | 132 | * |
| S1A 45 51.8 5 | 45 | 51.8 | 5.0 | 48.5 | 134 | * |
| S1A 50 56.8 5 | 50 | 56.8 | 5.0 | 53.5 | 137 | * |
| S1A 55 61.8 5 | 55 | 61.8 | 5.0 | 58.5 | 140 | * |

* a richiesta - on request

| Codice - Part No. | d ^{f8} | D ^{H9} | L ^{+0.2} | M ^{±0.1} | OR | €uro |
|-------------------|-----------------|-----------------|-------------------|-------------------|-----|------|
| S1A 56 62.8 5 | 56 | 62.8 | 5.0 | 59.5 | 141 | * |
| S1A 60 66.8 5 | 60 | 66.8 | 5.0 | 63.5 | 143 | * |
| S1A 65 73.8 6 | 65 | 73.8 | 6.0 | 69.0 | 231 | * |
| S1A 70 78.8 6 | 70 | 78.8 | 6.0 | 74.0 | 233 | * |
| S1A 75 83.8 6 | 75 | 83.8 | 6.0 | 79.0 | 234 | * |
| S1A 80 88.8 6 | 80 | 88.8 | 6.0 | 84.0 | 236 | * |
| S1A 85 93.8 6 | 85 | 93.8 | 6.0 | 89.0 | 237 | * |
| S1A 90 98.8 6 | 90 | 98.8 | 6.0 | 94.0 | 239 | * |
| S1A 95 103.8 6 | 95 | 103.8 | 6.0 | 99.0 | 241 | * |
| S1A 100 108.8 6 | 100 | 108.8 | 6.0 | 104.0 | 242 | * |
| S1A 110 118.8 6 | 110 | 118.8 | 6.0 | 114.0 | 245 | * |
| S1A 120 128.8 6 | 120 | 128.8 | 6.0 | 124.0 | 249 | * |
| S1A 125 133.8 6 | 125 | 133.8 | 6.0 | 129.0 | 250 | * |
| S1A 130 138.8 6 | 130 | 138.8 | 6.0 | 134.0 | 252 | * |
| S1A 140 148.8 6 | 140 | 148.8 | 6.0 | 144.0 | 255 | * |
| S1A 160 168.8 6 | 160 | 168.8 | 6.0 | 164.0 | 260 | * |
| S1A 170 178.8 6 | 170 | 178.8 | 6.0 | 174.0 | 261 | * |
| S1A 180 188.8 6 | 180 | 188.8 | 6.0 | 184.0 | 263 | * |
| S1A 200 208.8 6 | 200 | 208.8 | 6.0 | 204.0 | 266 | * |

S2A RASCHIATORE STELO - ROD WIPER



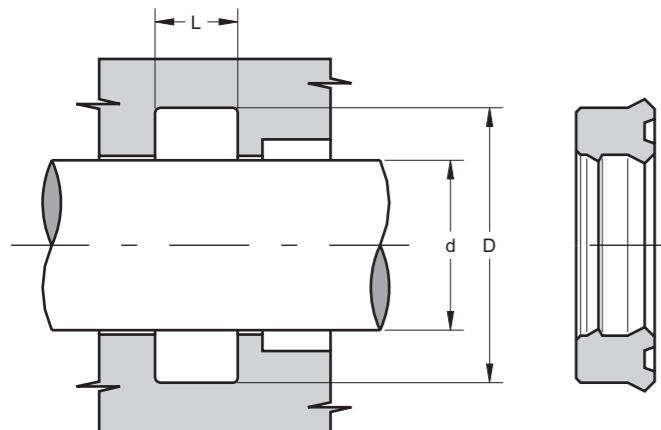
| Codice - Part No. | d ^{f8} | D ^{H9} | L ^{+0.2} | M ^{±0.1} | OR | €uro |
|-------------------|-----------------|-----------------|-------------------|-------------------|-----|------|
| S2A 8 12.8 3.7 | 8 | 12.8 | 3.7 | 9.0 | 012 | * |
| S2A 10 14.8 3.7 | 10 | 14.8 | 3.7 | 11.0 | 013 | * |

* a richiesta - on request

| Codice - Part No. | d ^{f8} | D ^{H9} | L ^{+0.2} | M ^{±0.1} | OR | €uro |
|-------------------|-----------------|-----------------|-------------------|-------------------|-----|------|
| S2A 12 18.8 5 | 12 | 18.8 | 5.0 | 13.5 | 113 | * |
| S2A 14 20.8 5 | 14 | 20.8 | 5.0 | 15.5 | 114 | * |
| S2A 15 21.8 5 | 15 | 21.8 | 5.0 | 16.5 | 115 | * |
| S2A 16 22.8 5 | 16 | 22.8 | 5.0 | 17.5 | 116 | * |
| S2A 18 24.8 5 | 18 | 24.8 | 5.0 | 19.5 | 117 | * |
| S2A 20 26.8 5 | 20 | 26.8 | 5.0 | 21.5 | 118 | * |
| S2A 24 30.8 5 | 24 | 30.8 | 5.0 | 25.5 | 120 | * |
| S2A 25 31.8 5 | 25 | 31.8 | 5.0 | 26.5 | 121 | * |
| S2A 28 34.8 5 | 28 | 34.8 | 5.0 | 29.5 | 123 | * |
| S2A 30 36.8 5 | 30 | 36.8 | 5.0 | 31.5 | 124 | * |
| S2A 32 38.8 5 | 32 | 38.8 | 5.0 | 33.5 | 126 | * |
| S2A 35 41.8 5 | 35 | 41.8 | 5.0 | 36.5 | 127 | * |
| S2A 40 46.8 5 | 40 | 46.8 | 5.0 | 41.5 | 131 | * |
| S2A 42 48.8 5 | 42 | 48.8 | 5.0 | 43.5 | 132 | * |
| S2A 45 51.8 5 | 45 | 51.8 | 5.0 | 46.5 | 134 | * |
| S2A 50 56.8 5 | 50 | 56.8 | 5.0 | 51.5 | 137 | * |
| S2A 55 61.8 5 | 55 | 61.8 | 5.0 | 56.5 | 140 | * |
| S2A 56 62.8 5 | 56 | 62.8 | 5.0 | 57.5 | 141 | * |
| S2A 60 66.8 5 | 60 | 66.8 | 5.0 | 61.5 | 143 | * |
| S2A 65 73.8 6 | 65 | 73.8 | 6.0 | 67.0 | 231 | * |
| S2A 70 78.8 6 | 70 | 78.8 | 6.0 | 72.0 | 233 | * |
| S2A 75 83.8 6 | 75 | 83.8 | 6.0 | 77.0 | 234 | * |
| S2A 80 88.8 6 | 80 | 88.8 | 6.0 | 82.0 | 236 | * |
| S2A 85 93.8 6 | 85 | 93.8 | 6.0 | 87.0 | 237 | * |
| S2A 90 98.8 6 | 90 | 98.8 | 6.0 | 92.0 | 239 | * |
| S2A 95 103.8 6 | 95 | 103.8 | 6.0 | 97.0 | 241 | * |
| S2A 100 108.8 6 | 100 | 108.8 | 6.0 | 102.0 | 242 | * |
| S2A 110 118.8 6 | 110 | 118.8 | 6.0 | 112.0 | 245 | * |
| S2A 120 128.8 6 | 120 | 128.8 | 6.0 | 122.0 | 249 | * |
| S2A 125 133.8 6 | 125 | 133.8 | 6.0 | 127.0 | 250 | * |
| S2A 130 138.8 6 | 130 | 138.8 | 6.0 | 132.0 | 252 | * |
| S2A 140 148.8 6 | 140 | 148.8 | 6.0 | 142.0 | 255 | * |
| S2A 160 168.8 6 | 160 | 168.8 | 6.0 | 162.0 | 260 | * |
| S2A 170 178.8 6 | 170 | 178.8 | 6.0 | 172.0 | 261 | * |
| S2A 180 188.8 6 | 180 | 188.8 | 6.0 | 182.0 | 263 | * |
| S2A 200 208.8 6 | 200 | 208.8 | 6.0 | 202.0 | 266 | * |

* a richiesta - on request

SD TENUTE STELO SEMICOMPATTE CON DOPPIO LABBRIO SEMICOMPACT ROD SEALS AND DOUBLE LIP



| Codice - Part No. | d ^{f7} | D ^{H10} | L ^{+0.25} | €uro |
|-------------------|-----------------|------------------|--------------------|------|
| SD 6 14 5.8 | 6 | 14.0 | 6.3 | 0,80 |
| SD 8 15 5.8 | 8 | 15.0 | 6.3 | 0,80 |
| SD 8 16 5.8 | 8 | 16.0 | 6.3 | 0,86 |
| SD 10 18 5.8 | 10 | 18.0 | 6.3 | 0,98 |
| SD 12 19 5.6 | 12 | 19.0 | 6.1 | 1,06 |
| SD 12 19 5.8 | 12 | 19.0 | 6.3 | 1,06 |
| SD 12 20 5.8 | 12 | 20.0 | 6.3 | 1,09 |
| SD 12 23 6.5 | 12 | 23.0 | 7.5 | 1,12 |
| SD 14 20 4.8 | 14 | 20.0 | 5.3 | 1,01 |
| SD 14 22 5.8 | 14 | 22.0 | 6.3 | 1,06 |
| SD 15 21.5 4.2 | 15 | 21.5 | 5.0 | 1,15 |
| SD 15 23 5.8 | 15 | 23.0 | 6.3 | 1,15 |
| SD 16 24 5.8 | 16 | 24.0 | 6.3 | 1,15 |
| SD 18 24 4.7 | 18 | 24.0 | 5.5 | 1,15 |
| SD 18 25 5 | 18 | 25.0 | 5.7 | 1,27 |
| SD 18 26 5.8 | 18 | 26.0 | 6.3 | 1,27 |
| SD 18 26 8 | 18 | 26.0 | 9.0 | 1,27 |
| SD 18 28 5.8 | 18 | 28.0 | 6.3 | 1,27 |
| SD 18 28 7 | 18 | 28.0 | 8.0 | 1,27 |
| SD 20 26 5.2 | 20 | 26.0 | 6.0 | 1,15 |
| SD 20 27 5.8 | 20 | 27.0 | 6.5 | 1,15 |
| SD 20 28 5.8 | 20 | 28.0 | 6.3 | 1,27 |
| SD 20 28 7 | 20 | 28.0 | 8.0 | 1,27 |

| Codice - Part No. | d ^{f7} | D ^{H10} | L ^{+0.25} | €uro |
|-------------------|-----------------|------------------|--------------------|------|
| SD 20 30 4.5 | 20 | 30.0 | 5.0 | 1,33 |
| SD 20 30 7 | 20 | 30.0 | 8.0 | 1,36 |
| SD 22 30 5.8 | 22 | 30.0 | 6.3 | 1,36 |
| SD 22 30 7 | 22 | 30.0 | 8.0 | 1,36 |
| SD 22 32 7 | 22 | 32.0 | 8.0 | 1,36 |
| SD 22 32 8 | 22 | 32.0 | 9.0 | 1,39 |
| SD 24 34 5.8 | 24 | 34.0 | 6.5 | 1,42 |
| SD 25 33 5.8 | 25 | 33.0 | 6.3 | 1,42 |
| SD 25 33 6.5 | 25 | 33.0 | 7.5 | 1,42 |
| SD 25 33 8 | 25 | 33.0 | 9.0 | 1,45 |
| SD 25 35 7 | 25 | 35.0 | 8.0 | 1,45 |
| SD 25 35 8 | 25 | 35.0 | 9.0 | 1,45 |
| SD 25 36 5 | 25 | 36.0 | 6.0 | 1,48 |
| SD 27 37 5.8 | 27 | 37.0 | 6.3 | 1,48 |
| SD 28 36 5.8 | 28 | 36.0 | 6.3 | 1,48 |
| SD 28 36 8 | 28 | 36.0 | 9.0 | 1,48 |
| SD 28 38 7 | 28 | 38.0 | 8.0 | 1,48 |
| SD 30 38 5.8 | 30 | 38.0 | 6.3 | 1,48 |
| SD 30 38 7 | 30 | 38.0 | 8.0 | 1,51 |
| SD 30 40 6.5 | 30 | 40.0 | 7.5 | 1,54 |
| SD 30 40 7 | 30 | 40.0 | 8.0 | 1,54 |
| SD 30 40 10 | 30 | 40.0 | 11.0 | 1,60 |
| SD 32 40 5.8 | 32 | 40.0 | 6.3 | 1,60 |
| SD 32 40 6.7 | 32 | 40.0 | 7.7 | 1,60 |
| SD 32 40 8 | 32 | 40.0 | 9.0 | 1,60 |
| SD 32 42 7 | 32 | 42.0 | 8.0 | 1,60 |
| SD 32 42 10 | 32 | 42.0 | 11.0 | 1,60 |
| SD 32 47 10 | 32 | 47.0 | 11.0 | 1,86 |
| SD 35 43 5.8 | 35 | 43.0 | 6.3 | 1,77 |
| SD 35 43 6.2 | 35 | 43.0 | 7.0 | 1,77 |
| SD 35 43 8 | 35 | 43.0 | 9.0 | 1,83 |
| SD 35 44 7 | 35 | 44.0 | 8.0 | 1,86 |
| SD 35 45 5.8 | 35 | 45.0 | 6.3 | 1,86 |
| SD 35 45 7 | 35 | 45.0 | 8.0 | 1,86 |
| SD 35 45 10 | 35 | 45.0 | 11.0 | 1,95 |
| SD 35 45 12.5 | 35 | 45.0 | 13.5 | 1,95 |
| SD 35 50 10 | 35 | 50.0 | 11.0 | 2,07 |
| SD 36 44 5.8 | 36 | 44.0 | 6.3 | 1,86 |
| SD 36 44 8 | 36 | 44.0 | 9.0 | 1,95 |
| SD 36 46 7 | 36 | 46.0 | 8.0 | 1,86 |
| SD 36 46 10 | 36 | 46.0 | 11.0 | 1,89 |

| Codice - Part No. | d ^{f7} | D ^{H10} | L ^{+0.25} | €uro |
|-------------------|-----------------|------------------|--------------------|------|
| SD 37 47 8 | 37 | 47.0 | 9.0 | 1,98 |
| SD 37 47 10 | 37 | 47.0 | 11.0 | 1,98 |
| SD 38 45 6 | 38 | 45.0 | 7.0 | 1,89 |
| SD 38 50 8.5 | 38 | 50.0 | 9.5 | 2,04 |
| SD 40 48 5.8 | 40 | 48.0 | 6.3 | 2,04 |
| SD 40 48 6 | 40 | 48.0 | 7.0 | 2,04 |
| SD 40 48 8 | 40 | 48.0 | 9.0 | 2,04 |
| SD 40 50 5.8 | 40 | 50.0 | 6.3 | 2,04 |
| SD 40 50 7 | 40 | 50.0 | 8.0 | 2,04 |
| SD 40 50 10 | 40 | 50.0 | 11.0 | 2,04 |
| SD 40 55 10 | 40 | 55.0 | 11.0 | 2,10 |
| SD 42 52 8 | 42 | 52.0 | 9.0 | 2,04 |
| SD 42 53 9 | 42 | 53.0 | 10.0 | 2,10 |
| SD 45 53 5.8 | 45 | 53.0 | 6.3 | 2,04 |
| SD 45 53 8 | 45 | 53.0 | 9.0 | 2,10 |
| SD 45 55 5.8 | 45 | 55.0 | 6.3 | 2,10 |
| SD 45 55 7 | 45 | 55.0 | 8.0 | 2,10 |
| SD 45 55 10 | 45 | 55.0 | 11.0 | 2,10 |
| SD 45 57 9 | 45 | 57.0 | 10.0 | 2,13 |
| SD 46 54 7.5 | 46 | 54.0 | 8.5 | 2,10 |
| SD 48 60 6 | 48 | 60.0 | 7.0 | 2,13 |
| SD 50 58 8 | 50 | 58.0 | 9.0 | 2,19 |
| SD 50 60 7 | 50 | 60.0 | 8.0 | 2,19 |
| SD 50 60 9 | 50 | 60.0 | 10.0 | 2,19 |
| SD 50 60 10 | 50 | 60.0 | 11.0 | 2,19 |
| SD 50 62 8 | 50 | 62.0 | 9.0 | 2,22 |
| SD 50 62 10 | 50 | 62.0 | 11.0 | 2,22 |
| SD 50 65 10 | 50 | 65.0 | 11.0 | 2,25 |
| SD 50 65 11.5 | 50 | 65.0 | 12.5 | 2,25 |
| SD 50 70 13.5 | 50 | 70.0 | 14.5 | 2,39 |
| SD 55 63 8 | 55 | 63.0 | 9.0 | 2,25 |
| SD 55 65 7 | 55 | 65.0 | 8.0 | 2,25 |
| SD 55 65 10 | 55 | 65.0 | 11.0 | 2,25 |
| SD 55 65 12 | 55 | 65.0 | 13.0 | 2,25 |
| SD 55 70 9.5 | 55 | 70.0 | 10.5 | 2,25 |
| SD 56 66 6.5 | 56 | 66.0 | 7.5 | 2,19 |
| SD 56 66 10 | 56 | 66.0 | 11.0 | 2,25 |
| SD 56 71 9.5 | 56 | 71.0 | 10.5 | 2,25 |
| SD 56 71 11.5 | 56 | 71.0 | 12.5 | 2,31 |
| SD 60 68 8 | 60 | 68.0 | 9.0 | 2,34 |
| SD 60 70 7 | 60 | 70.0 | 8.0 | 2,34 |

| Codice - Part No. | d ^{f7} | D ^{H10} | L ^{+0.25} | €uro |
|-------------------|-----------------|------------------|--------------------|------|
| SD 60 70 10 | 60 | 70.0 | 11.0 | 2,31 |
| SD 60 70 11.5 | 60 | 70.0 | 12.5 | 2,34 |
| SD 60 70 12 | 60 | 70.0 | 13.0 | 2,34 |
| SD 60 72 9 | 60 | 72.0 | 10.0 | 2,34 |
| SD 60 75 10 | 60 | 75.0 | 11.0 | 2,39 |
| SD 61 69 7.5 | 61 | 69.0 | 8.5 | 2,25 |
| SD 63 73 10 | 63 | 73.0 | 11.0 | 2,36 |
| SD 63 75 8.5 | 63 | 75.0 | 9.5 | 2,39 |
| SD 63 75 10 | 63 | 75.0 | 11.0 | 2,39 |
| SD 63 78 11.5 | 63 | 78.0 | 12.5 | 2,54 |
| SD 65 73 8 | 65 | 73.0 | 9.0 | 2,36 |
| SD 65 75 12 | 65 | 75.0 | 13.0 | 2,39 |
| SD 65 77 8.5 | 65 | 77.0 | 9.5 | 2,54 |
| SD 68 76 8 | 68 | 76.0 | 9.0 | 2,39 |
| SD 70 78 8 | 70 | 78.0 | 9.0 | 2,54 |
| SD 70 80 6.5 | 70 | 80.0 | 7.5 | 2,54 |
| SD 70 80 7 | 70 | 80.0 | 8.0 | 2,54 |
| SD 70 80 10 | 70 | 80.0 | 11.0 | 2,54 |
| SD 70 80 12 | 70 | 80.0 | 13.0 | 2,57 |
| SD 70 82 9 | 70 | 82.0 | 10.0 | 2,57 |
| SD 70 85 11 | 70 | 85.0 | 12.0 | 2,66 |
| SD 75 83 8 | 75 | 83.0 | 9.0 | 2,57 |
| SD 75 85 7 | 75 | 85.0 | 8.0 | 2,57 |
| SD 75 90 10.5 | 75 | 90.0 | 11.5 | 2,69 |
| SD 76 84 7.5 | 76 | 84.0 | 8.5 | 2,57 |
| SD 80 88 11.5 | 80 | 88.0 | 12.5 | 2,69 |
| SD 80 89 10 | 80 | 89.0 | 11.0 | 2,69 |
| SD 80 90 7 | 80 | 90.0 | 8.0 | 2,69 |
| SD 80 90 12 | 80 | 90.0 | 13.0 | 2,69 |
| SD 80 92 9 | 80 | 92.0 | 9.6 | 2,69 |
| SD 80 95 11 | 80 | 95.0 | 12.0 | 2,72 |
| SD 80 96 9.5 | 80 | 96.0 | 10.5 | 2,72 |
| SD 85 95 7 | 85 | 95.0 | 8.0 | 2,75 |
| SD 85 95 12 | 85 | 95.0 | 13.0 | 2,75 |
| SD 85 97 8.5 | 85 | 97.0 | 9.5 | 2,75 |
| SD 88 96 7.5 | 88 | 96.0 | 8.5 | 2,75 |
| SD 88.9 101.6 9.5 | 88.9 | 101.6 | 10.5 | 2,87 |
| SD 90 102 9 | 90 | 102.0 | 10.0 | 2,87 |
| SD 90 105 11.5 | 90 | 105.0 | 12.5 | 2,90 |
| SD 91 99 7.5 | 91 | 99.0 | 8.5 | 2,75 |
| SD 95 103 8 | 95 | 103.0 | 9.0 | 2,90 |

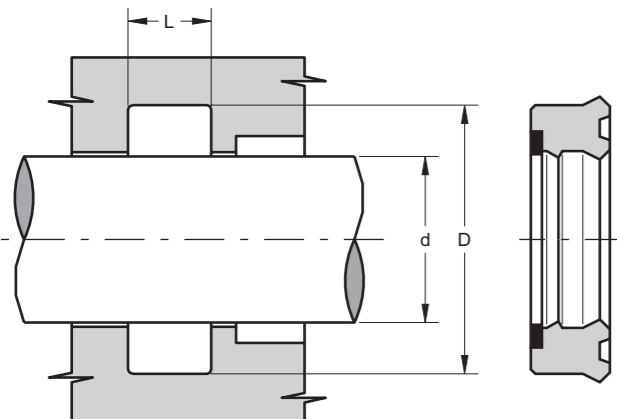
| Codice - Part No. | d ^{f7} | D ^{H10} | L ^{+0.25} | €uro |
|-------------------|-----------------|------------------|--------------------|-------|
| SD 95 104 10 | 95 | 104.0 | 11.0 | 2,90 |
| SD 95 112 11 | 95 | 112.0 | 12.0 | 2,93 |
| SD 100 108 7 | 100 | 108.0 | 8.0 | 3,13 |
| SD 100 108 11.5 | 100 | 108.0 | 12.5 | 3,13 |
| SD 100 115 11.5 | 100 | 115.0 | 12.5 | 3,07 |
| SD 107 115 7.5 | 107 | 115.0 | 8.5 | 3,19 |
| SD 110 119 10 | 110 | 119.0 | 11.0 | 3,28 |
| SD 110 125 11 | 110 | 125.0 | 12.0 | 3,58 |
| SD 120 130 7 | 120 | 130.0 | 8.0 | 3,58 |
| SD 120 130 14 | 120 | 130.0 | 15.0 | 3,75 |
| SD 120 140 12 | 120 | 140.0 | 13.0 | 4,20 |
| SD 126 134 7.5 | 126 | 134.0 | 8.5 | 3,87 |
| SD 130 150 12 | 130 | 150.0 | 13.0 | 4,94 |
| SD 140 155 8 | 140 | 155.0 | 9.0 | 5,03 |
| SD 140 160 11.5 | 140 | 160.0 | 12.5 | 5,26 |
| SD 145 153 7.5 | 145 | 153.0 | 8.5 | 4,88 |
| SD 150 170 12 | 150 | 170.0 | 13.0 | 6,39 |
| SD 180 200 12 | 180 | 200.0 | 13.0 | 9,43 |
| SD 190 210 12 | 190 | 210.0 | 13.0 | 10,44 |
| SD 210 230 15 | 210 | 230.0 | 16.0 | 12,74 |

Misure in pollici - *Inch sizes*

| | | | | |
|-------------------|-------|-------|------|------|
| SD 4000 4500 0375 | 101.6 | 114.3 | 10.5 | 3,07 |
|-------------------|-------|-------|------|------|

SDA

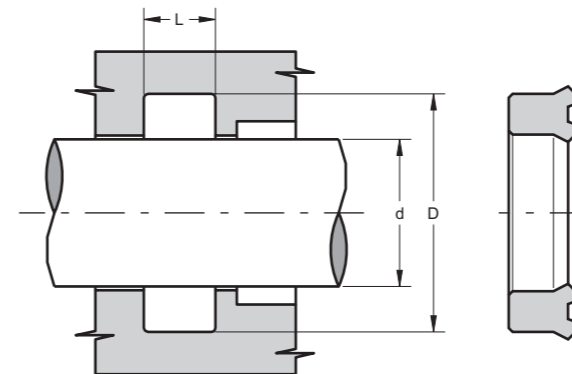
CON DOPPIO LABBRIO DI TENUTA
E ANELLO ANTIESTRUSIONE
DOUBLE LIP AND ANTI-EXTRUSION RING



| Codice - Part No. | d ^{f7} | D ^{H10} | L ^{+0.25} | €uro |
|-------------------|-----------------|------------------|--------------------|------|
| SDA 40 48 8 | 40 | 48.0 | 9.0 | 2,57 |
| SDA 40 50 10 | 40 | 50.0 | 11.0 | 2,57 |
| SDA 40 55 10 | 40 | 55.0 | 11.0 | 2,69 |
| SDA 45 53 9.5 | 45 | 53.0 | 10.5 | 2,69 |
| SDA 45 55 10 | 45 | 55.0 | 11.0 | 2,69 |
| SDA 45 60 10 | 45 | 60.0 | 11.0 | 2,75 |
| SDA 50 60 10 | 50 | 60.0 | 11.0 | 2,75 |
| SDA 50 65 10 | 50 | 65.0 | 11.0 | 2,78 |
| SDA 55 65 10 | 55 | 65.0 | 11.0 | 2,84 |
| SDA 56 71 11.5 | 56 | 71.0 | 12.5 | 2,90 |
| SDA 60 70 12.5 | 60 | 70.0 | 13.5 | 2,96 |
| SDA 60 75 12 | 60 | 75.0 | 13.0 | 3,04 |
| SDA 60 80 12 | 60 | 80.0 | 13.0 | 3,19 |
| SDA 65 80 11.5 | 65 | 80.0 | 12.5 | 3,28 |
| SDA 70 85 12 | 70 | 85.0 | 13.0 | 3,31 |
| SDA 70 90 13.5 | 70 | 90.0 | 14.5 | 3,46 |
| SDA 75 90 12 | 75 | 90.0 | 13.0 | 3,43 |
| SDA 75 95 13.5 | 75 | 95.0 | 14.5 | 3,49 |
| SDA 80 88 9 | 80 | 88.0 | 10.0 | 3,37 |
| SDA 80 95 11 | 80 | 95.0 | 12.0 | 3,46 |
| SDA 80 100 11.5 | 80 | 100.0 | 12.5 | 3,52 |
| SDA 80 100 13.5 | 80 | 100.0 | 14.5 | 3,52 |
| SDA 90 105 8.5 | 90 | 105.0 | 9.5 | 3,58 |
| SDA 90 105 12 | 90 | 105.0 | 13.0 | 3,58 |
| SDA 90 110 12 | 90 | 110.0 | 13.0 | 3,64 |
| SDA 95 115 13.5 | 95 | 115.0 | 14.5 | 3,87 |
| SDA 100 110 12.5 | 100 | 110.0 | 13.5 | 3,78 |
| SDA 100 113 12.5 | 100 | 113.0 | 13.5 | 3,81 |
| SDA 100 120 13.5 | 100 | 120.0 | 14.5 | 4,20 |
| SDA 110 120 13.5 | 110 | 120.0 | 14.5 | 4,20 |
| SDA 110 125 12 | 110 | 125.0 | 13.0 | 3,72 |
| SDA 110 130 11.5 | 110 | 130.0 | 12.5 | 4,49 |
| SDA 120 135 11.5 | 120 | 135.0 | 12.5 | 4,67 |
| SDA 120 140 11.5 | 120 | 140.0 | 12.5 | 4,79 |
| SDA 120 140 15 | 120 | 140.0 | 16.0 | 5,64 |
| SDA 130 145 12 | 130 | 145.0 | 13.0 | 5,62 |
| SDA 140 155 12 | 140 | 155.0 | 13.0 | 5,85 |

S

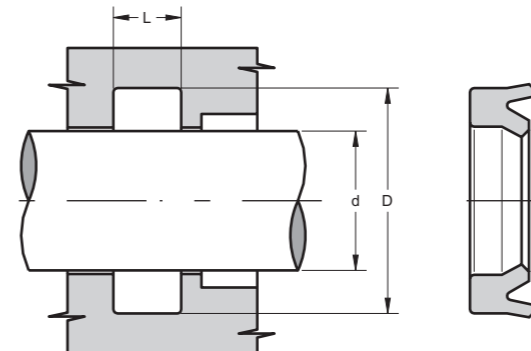
TENUTE STELO SEMICOMPATTE
SEMICOMPACT ROD SEALS



| Codice - Part No. | d ^{f7} | D ^{H10} | L ^{+0.25} | €uro |
|-------------------|-----------------|------------------|--------------------|------|
| S 12 18 4.5 | 12 | 18.0 | 5.0 | 0,95 |
| S 14 19 4.8 | 14 | 19.0 | 5.3 | 1,01 |
| S 16 22 4 | 16 | 22.0 | 4.5 | 1,06 |
| S 20 25 3.7 | 20 | 25.0 | 4.5 | 1,15 |
| S 22 28 4.5 | 22 | 28.0 | 5.5 | 1,27 |
| S 22 30 5.8 | 22 | 30.0 | 6.3 | 1,36 |
| S 22 32 8 | 22 | 32.0 | 9.0 | 1,42 |
| S 25 32 4 | 25 | 32.0 | 5.0 | 1,39 |
| S 25 33 5.8 | 25 | 33.0 | 6.3 | 1,42 |
| S 56 66 6.5 | 56 | 66.0 | 7.5 | 2,19 |
| S 3375 4375 0550 | 85.7 | 111.1 | 15.0 | 4,62 |

A

TENUTA STELO A LABBRI ASIMMETRICI
ROD SEAL WITH ASYMMETRIC LIPS

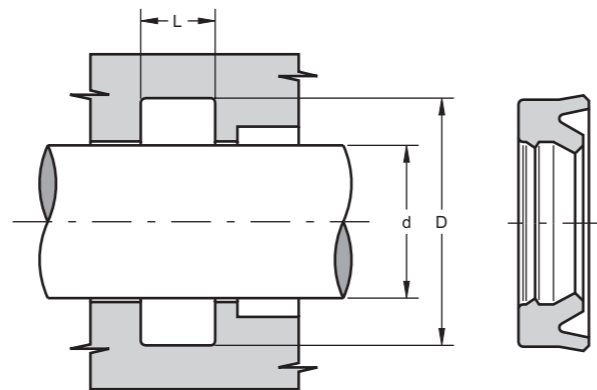


| Codice - Part No. | d ^{f7} | D ^{H10} | L ^{+0.25} | €uro |
|-------------------|-----------------|------------------|--------------------|------|
| A 6 11 4 | 6 | 11.0 | 4.5 | 0,77 |
| A 6 11 5.5 | 6 | 11.0 | 6.0 | 0,77 |
| A 10 20 7 | 10 | 20.0 | 8.0 | 1,03 |
| A 11 17 4.5 | 11 | 17.0 | 5.0 | 0,95 |
| A 12 17 3.5 | 12 | 17.0 | 4.0 | 0,95 |
| A 12 20 5.8 | 12 | 20.0 | 6.3 | 1,09 |
| A 12 22 7 | 12 | 22.0 | 8.0 | 1,06 |
| A 14 22 5.8 | 14 | 22.0 | 6.3 | 1,06 |
| A 15 23 5.8 | 15 | 23.0 | 6.3 | 1,15 |
| A 16 20.6 3.3 | 16 | 20.6 | 3.6 | 1,06 |
| A 16 22 5 | 16 | 22.0 | 5.5 | 1,06 |
| A 16 24 5.8 | 16 | 24.0 | 6.3 | 1,15 |
| A 18 24 4.7 | 18 | 24.0 | 5.2 | 1,15 |
| A 18 26 5.8 | 18 | 26.0 | 6.3 | 1,27 |
| A 20 26 5 | 20 | 26.0 | 5.5 | 1,15 |
| A 20 28 5.8 | 20 | 28.0 | 6.3 | 1,27 |
| A 20 28 6 | 20 | 28.0 | 7.0 | 1,27 |
| A 20 28 7 | 20 | 28.0 | 8.0 | 1,27 |
| A 22 30 5.8 | 22 | 30.0 | 6.3 | 1,36 |
| A 22 32 7 | 22 | 32.0 | 8.0 | 1,36 |
| A 24 34 7 | 24 | 34.0 | 8.0 | 1,45 |
| A 25 33 5.8 | 25 | 33.0 | 6.3 | 1,42 |
| A 25 33 6.3 | 25 | 33.0 | 7.0 | 1,42 |
| A 25 35 7 | 25 | 35.0 | 8.0 | 1,45 |
| A 27 35 5.8 | 27 | 35.5 | 6.3 | 1,48 |
| A 28 40 8.5 | 28 | 40.0 | 9.5 | 1,54 |
| A 30 38 5.8 | 30 | 38.0 | 6.3 | 1,48 |
| A 30 38 8 | 30 | 38.0 | 9.0 | 1,51 |
| A 30 40 7 | 30 | 40.0 | 8.0 | 1,54 |
| A 30 40 9.5 | 30 | 40.0 | 10.5 | 1,60 |
| A 32 40 5.8 | 32 | 40.0 | 6.3 | 1,60 |
| A 32 40 8 | 32 | 40.0 | 9.0 | 1,60 |
| A 32 42 7 | 32 | 42.0 | 8.0 | 1,60 |
| A 33 43 10 | 33 | 43.0 | 11.0 | 1,77 |
| A 35 43 5.8 | 35 | 43.0 | 6.3 | 1,77 |
| A 35 43 8 | 35 | 43.0 | 9.0 | 1,83 |
| A 35 45 7 | 35 | 45.0 | 8.0 | 1,86 |
| A 35 46 8 | 35 | 46.0 | 9.0 | 1,95 |
| A 36 46 7 | 36 | 46.0 | 8.0 | 1,86 |
| A 36 48 11 | 36 | 48.0 | 12.0 | 2,05 |

| Codice - Part No. | d ^{f7} | D ^{H10} | L ^{+0.25} | €uro |
|-------------------|-----------------|------------------|--------------------|------|
| A 38 44.5 4.7 | 38 | 44.5 | 5.3 | 1,86 |
| A 38 45 5 | 38 | 45.0 | 5.5 | 1,86 |
| A 40 48 4 | 40 | 48.0 | 4.5 | 2,04 |
| A 40 48 5.8 | 40 | 48.0 | 6.3 | 2,04 |
| A 40 48 8 | 40 | 48.0 | 9.0 | 2,04 |
| A 40 50 7 | 40 | 50.0 | 8.0 | 2,04 |
| A 40 50 10 | 40 | 50.0 | 11.0 | 2,04 |
| A 40 52 8 | 40 | 52.0 | 9.0 | 2,07 |
| A 40 60 10 | 40 | 60.0 | 11.0 | 2,22 |
| A 45 55 7 | 45 | 55.0 | 8.0 | 2,10 |
| A 45 55 10 | 45 | 55.0 | 11.0 | 2,10 |
| A 45 58 9 | 45 | 58.0 | 10.0 | 2,13 |
| A 50 60 7 | 50 | 60.0 | 8.0 | 2,19 |
| A 50 60 10 | 50 | 60.0 | 11.0 | 2,19 |
| A 50 65 11.5 | 50 | 65.0 | 12.5 | 2,25 |
| A 50 68 9 | 50 | 68.0 | 10.0 | 2,25 |
| A 55 65 7 | 55 | 65.0 | 8.0 | 2,25 |
| A 55 65 10 | 55 | 65.0 | 11.0 | 2,25 |
| A 55 65 12 | 55 | 65.0 | 13.0 | 2,25 |
| A 55 70 9.5 | 55 | 70.0 | 10.5 | 2,25 |
| A 60 65.6 5.6 | 60 | 65.6 | 6.3 | 2,25 |
| A 60 70 7 | 60 | 70.0 | 8.0 | 2,34 |
| A 60 72 8 | 60 | 72.0 | 9.0 | 2,39 |
| A 60 75 10 | 60 | 75.0 | 11.0 | 2,39 |
| A 60 75 12 | 60 | 75.0 | 13.0 | 2,45 |
| A 65 80 10 | 65 | 80.0 | 11.0 | 2,57 |
| A 70 80 7 | 70 | 80.0 | 8.0 | 2,54 |
| A 70 80 10 | 70 | 80.0 | 11.0 | 2,54 |
| A 70 85 10 | 70 | 85.0 | 11.0 | 2,66 |
| A 70 85 11 | 70 | 85.0 | 12.0 | 2,66 |
| A 75 90 10 | 75 | 90.0 | 11.0 | 2,69 |
| A 80 90 7 | 80 | 90.0 | 8.0 | 2,69 |
| A 80 90 12 | 80 | 90.0 | 13.0 | 2,69 |
| A 80 95 10 | 80 | 95.0 | 11.0 | 2,72 |
| A 85 100 12 | 85 | 100.0 | 13.0 | 2,78 |
| A 90 100 12 | 90 | 100.0 | 13.0 | 2,84 |
| A 90 110 12 | 90 | 110.0 | 13.0 | 3,04 |
| A 95 105 5 | 95 | 105.0 | 5.7 | 3,29 |
| A 100 109.3 5.7 | 100 | 109.3 | 6.2 | 2,96 |
| A 100 115 10.5 | 100 | 115.0 | 11.5 | 3,07 |
| A 100 115 12 | 100 | 115.0 | 13.0 | 3,13 |

| Codice - Part No. | d ^{f7} | D ^{H10} | L ^{+0.25} | €uro |
|-------------------|-----------------|------------------|--------------------|-------|
| A 100 120 15 | 100 | 120.0 | 16.0 | 3,40 |
| A 105 115 5.7 | 105 | 115.0 | 6.2 | 2,90 |
| A 110 130 12 | 110 | 130.0 | 13.0 | 3,64 |
| A 115 130 11 | 115 | 130.0 | 12.0 | 3,81 |
| A 130 145 14 | 130 | 145.0 | 15.0 | 4,32 |
| A 140 150 11.5 | 140 | 150.0 | 12.5 | 4,88 |
| A 7000 8000 0765 | 177.8 | 203.2 | 20.4 | 13,56 |

AD TENUTA STELO A LABBRI ASIMMETRICI
E DOPPIO LABBRO
ROD SEAL WITH ASYMMETRIC LIPS AND DOUBLE LIP



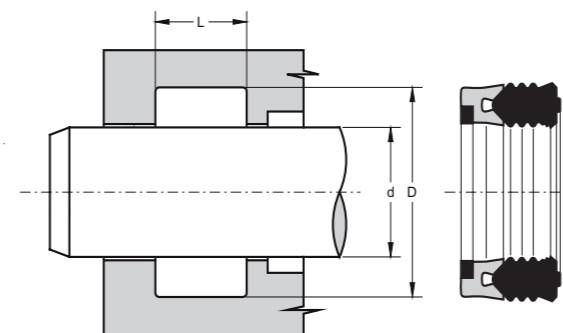
| Codice - Part No. | d ^{f7} | D ^{H10} | L ^{+0.25} | €uro |
|-------------------|-----------------|------------------|--------------------|------|
| AD 12 22 8 | 12 | 22.0 | 9.0 | 1,06 |
| AD 20 26 5 | 20 | 26.0 | 6.0 | 1,15 |
| AD 30 42 11 | 30 | 42.0 | 12.0 | 1,61 |
| AD 32 40 6.5 | 32 | 40.0 | 7.5 | 1,54 |
| AD 35 43 7 | 35 | 43.0 | 8.0 | 1,77 |
| AD 40 52 11 | 40 | 52.0 | 12.0 | 2,71 |
| AD 55 65 8.5 | 55 | 65.0 | 9.5 | 2,25 |
| AD 55 65 10 | 55 | 65.0 | 11.0 | 2,25 |
| AD 60 69.3 5.5 | 60 | 69.3 | 6.2 | 2,34 |
| AD 60 70 14 | 60 | 70.0 | 15.0 | 2,36 |
| AD 75 85 11.5 | 75 | 85.0 | 12.5 | 2,66 |
| AD 78 88 14 | 78 | 88.0 | 15.0 | 2,78 |
| AD 85 93 10 | 85 | 93.0 | 11.0 | 2,75 |
| AD 88.9 101.6 9.5 | 88.9 | 101.6 | 10.5 | 2,87 |
| AD 90 100 11.5 | 90 | 100.0 | 12.5 | 2,87 |
| AD 90 105 11.5 | 90 | 105.0 | 12.5 | 2,90 |

| Codice - Part No. | d ^{f7} | D ^{H10} | L ^{+0.25} | €uro |
|-------------------|-----------------|------------------|--------------------|-------|
| AD 99 109 14 | 99 | 109.0 | 15.0 | 3,13 |
| AD 100 110 11.5 | 100 | 110.0 | 12.5 | 3,13 |
| AD 105 115 11.5 | 105 | 115.0 | 12.5 | 3,13 |
| AD 110 120 10.5 | 110 | 120.0 | 11.5 | 3,37 |
| AD 115 125 12 | 115 | 125.0 | 13.0 | 3,72 |
| AD 120 130 14 | 120 | 130.0 | 15.0 | 3,75 |
| AD 141 151 14 | 141 | 151.0 | 15.0 | 4,88 |
| AD 155 163 11.5 | 155 | 163.0 | 12.5 | 5,65 |
| AD 162 172 14 | 162 | 172.0 | 15.0 | 6,36 |
| AD 183 193 14 | 183 | 193.0 | 15.0 | 9,42 |
| AD 207 217 14 | 207 | 217.0 | 15.0 | 12,18 |

Misure in pollici - *Inch sizes*

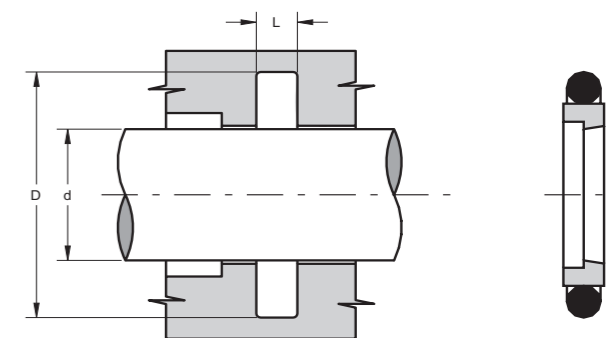
| | | | | |
|-------------------|-------|-------|-----|------|
| AD 1250 1750 0250 | 31.75 | 44.45 | 7.0 | 1,83 |
| AD 1500 2000 0335 | 38.1 | 50.8 | 9.5 | 2,04 |

SGA TENUTA STELO A SEMPLICE EFFETTO
SINGLE ACTING ROD SEAL



| Codice - Part No. | d ^{f7} | D ^{H10} | L ^{+0.25} | €uro |
|-------------------|-----------------|------------------|--------------------|-------|
| SGA 30 43 | 30 | 43.0 | 20.0 | 5,73 |
| SGA 45 60 | 45 | 60.0 | 22.5 | 6,90 |
| SGA 60 77 | 60 | 77.0 | 27.0 | 8,31 |
| SGA 70 90 | 70 | 90.0 | 30.0 | 9,41 |
| SGA 95 115 | 95 | 115.0 | 28.0 | 12,83 |
| SGA 110 130 | 110 | 130.0 | 32.5 | 15,45 |

XB TENUTA STELO A SEMPLICE EFFETTO
SINGLE ACTING ROD SEAL



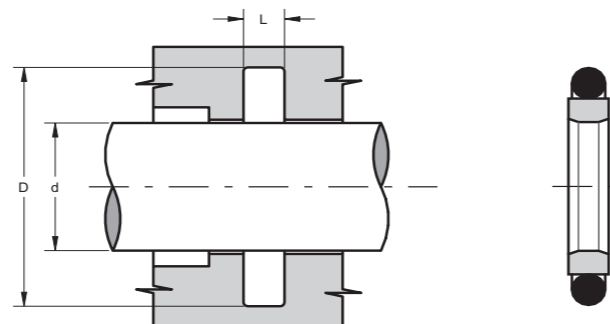
| Codice - Part No. | d ^{h9} | D ^{H10} | L ^{+0.2} | OR | €uro |
|-------------------|-----------------|------------------|-------------------|-----|------|
| XB 4 8.9 2.2 | 4 | 8.9 | 2.2 | 010 | * |
| XB 5 9.9 2.2 | 5 | 9.9 | 2.2 | 010 | * |
| XB 7 11.9 2.2 | 7 | 11.9 | 2.2 | 012 | * |
| XB 8 15.3 3.2 | 8 | 15.3 | 3.2 | 111 | * |
| XB 10 17.3 3.2 | 10 | 17.3 | 3.2 | 112 | * |
| XB 12 19.3 3.2 | 12 | 19.3 | 3.2 | 114 | * |
| XB 14 21.3 3.2 | 14 | 21.3 | 3.2 | 115 | * |
| XB 15 22.3 3.2 | 15 | 22.3 | 3.2 | 116 | * |
| XB 16 23.3 3.2 | 16 | 23.3 | 3.2 | 116 | * |
| XB 17 24.3 3.2 | 17 | 24.3 | 3.2 | 117 | * |
| XB 18 25.3 3.2 | 18 | 25.3 | 3.2 | 117 | * |
| XB 20 30.7 4.2 | 20 | 30.7 | 4.2 | 214 | * |
| XB 22 32.7 4.2 | 22 | 32.7 | 4.2 | 215 | * |
| XB 24 34.7 4.2 | 24 | 34.7 | 4.2 | 216 | * |
| XB 25 35.7 4.2 | 25 | 35.7 | 4.2 | 217 | * |
| XB 26 36.7 4.2 | 26 | 36.7 | 4.2 | 218 | * |
| XB 28 38.7 4.2 | 28 | 38.7 | 4.2 | 219 | * |
| XB 30 40.7 4.2 | 30 | 40.7 | 4.2 | 220 | * |
| XB 32 42.7 4.2 | 32 | 42.7 | 4.2 | 221 | * |
| XB 35 45.7 4.2 | 35 | 45.7 | 4.2 | 222 | * |
| XB 36 46.7 4.2 | 36 | 46.7 | 4.2 | 223 | * |
| XB 37 47.7 4.2 | 37 | 47.7 | 4.2 | 223 | * |
| XB 38 53.1 6.3 | 38 | 53.1 | 6.3 | 327 | * |
| XB 40 55.1 6.3 | 40 | 55.1 | 6.3 | 328 | * |
| XB 42 57.1 6.3 | 42 | 57.1 | 6.3 | 328 | * |
| XB 45 60.1 6.3 | 45 | 60.1 | 6.3 | 329 | * |
| XB 48 63.1 6.3 | 48 | 63.1 | 6.3 | 330 | * |
| XB 50 65.1 6.3 | 50 | 65.1 | 6.3 | 331 | * |

| Codice - Part No. | d ^{h9} | D ^{H10} | L ^{+0.2} | OR | €uro |
|-------------------|-----------------|------------------|-------------------|-----|------|
| XB 52 67.1 6.3 | 52 | 67.1 | 6.3 | 331 | * |
| XB 55 70.1 6.3 | 55 | 70.1 | 6.3 | 332 | * |
| XB 58 73.1 6.3 | 58 | 73.1 | 6.3 | 333 | * |
| XB 60 75.1 6.3 | 60 | 75.1 | 6.3 | 334 | * |
| XB 65 80.1 6.3 | 65 | 80.1 | 6.3 | 335 | * |
| XB 70 85.1 6.3 | 70 | 85.1 | 6.3 | 337 | * |
| XB 75 90.1 6.3 | 75 | 90.1 | 6.3 | 339 | * |
| XB 80 95.1 6.3 | 80 | 95.1 | 6.3 | 340 | * |
| XB 85 100.1 6.3 | 85 | 100.1 | 6.3 | 342 | * |
| XB 90 105.1 6.3 | 90 | 105.1 | 6.3 | 343 | * |
| XB 95 110.1 6.3 | 95 | 110.1 | 6.3 | 345 | * |
| XB 100 115.1 6.3 | 100 | 115.1 | 6.3 | 346 | * |
| XB 110 125.1 6.3 | 110 | 125.1 | 6.3 | 350 | * |
| XB 120 135.1 6.3 | 120 | 135.1 | 6.3 | 353 | * |
| XB 125 140.1 6.3 | 125 | 140.1 | 6.3 | 354 | * |
| XB 130 145.1 6.3 | 130 | 145.1 | 6.3 | 356 | * |
| XB 140 155.1 6.3 | 140 | 155.1 | 6.3 | 359 | * |
| XB 150 165.1 6.3 | 150 | 165.1 | 6.3 | 361 | * |
| XB 155 170.1 6.3 | 155 | 160.1 | 6.3 | 362 | * |
| XB 160 175.1 6.3 | 160 | 175.1 | 6.3 | 363 | * |
| XB 170 185.1 6.3 | 170 | 185.1 | 6.3 | 365 | * |
| XB 175 190.1 6.3 | 175 | 190.1 | 6.3 | 366 | * |
| XB 180 195.1 6.3 | 180 | 195.1 | 6.3 | 366 | * |
| XB 185 200.1 6.3 | 185 | 200.1 | 6.3 | 367 | * |
| XB 190 205.1 6.3 | 190 | 205.1 | 6.3 | 368 | * |
| XB 195 210.1 6.3 | 195 | 210.1 | 6.3 | 368 | * |
| XB 200 220.5 8.1 | 200 | 220.5 | 8.1 | 674 | * |
| XB 210 230.5 8.1 | 210 | 230.5 | 8.1 | 446 | * |
| XB 220 240.5 8.1 | 220 | 240.5 | 8.1 | 447 | * |
| XB 225 245.5 8.1 | 225 | 245.5 | 8.1 | 447 | * |
| XB 230 250.5 8.1 | 230 | 250.5 | 8.1 | 448 | * |
| XB 240 260.5 8.1 | 240 | 260.5 | 8.1 | 448 | * |
| XB 250 270.5 8.1 | 250 | 270.5 | 8.1 | 449 | * |
| XB 260 284.0 8.1 | 260 | 284.0 | 8.1 | 450 | * |
| XB 270 294.0 8.1 | 270 | 294.0 | 8.1 | 451 | * |
| XB 280 304.0 8.1 | 280 | 304.0 | 8.1 | 452 | * |
| XB 290 314.0 8.1 | 290 | 314.0 | 8.1 | 453 | * |
| XB 300 324.0 8.1 | 300 | 324.0 | 8.1 | 454 | * |
| XB 310 334.0 8.1 | 310 | 334.0 | 8.1 | 454 | * |
| XB 320 344.0 8.1 | 320 | 344.0 | 8.1 | 455 | * |
| XB 330 354.0 8.1 | 330 | 354.0 | 8.1 | 456 | * |
| XB 340 364.0 8.1 | 340 | 364.0 | 8.1 | 457 | * |
| XB 350 374.0 8.1 | 350 | 374.0 | 8.1 | 458 | * |

* a richiesta - on request

| Codice - Part No. | d ^{h9} | D ^{H10} | L ^{+0.2} | OR | €uro |
|-------------------|-----------------|------------------|-------------------|-----|------|
| XB 360 384.0 8.1 | 360 | 384.0 | 8.1 | 458 | * |
| XB 370 394.0 8.1 | 370 | 394.0 | 8.1 | 459 | * |
| XB 380 404.0 8.1 | 380 | 404.0 | 8.1 | 460 | * |
| XB 390 414.0 8.1 | 390 | 414.0 | 8.1 | 461 | * |
| XB 400 424.0 8.1 | 400 | 424.0 | 8.1 | 461 | * |
| XB 420 444.0 8.1 | 420 | 444.0 | 8.1 | 463 | * |
| XB 440 464.0 8.1 | 440 | 464.0 | 8.1 | 464 | * |
| XB 450 474.0 8.1 | 450 | 474.0 | 8.1 | 465 | * |
| XB 460 484.0 8.1 | 460 | 484.0 | 8.1 | 466 | * |
| XB 480 504.0 8.1 | 480 | 504.0 | 8.1 | 468 | * |
| XB 500 524.0 8.1 | 500 | 524.0 | 8.1 | 469 | * |

XAB TENUTA STELO A DOPPIO EFFETTO DOUBLE ACTING ROD SEAL



| Codice - Part No. | d ^{h9} | D ^{H10} | L ^{+0.2} | OR | €uro |
|-------------------|-----------------|------------------|-------------------|-----|------|
| XAB 4 8.9 2.2 | 4 | 8.9 | 2.2 | 010 | * |
| XAB 5 9.9 2.2 | 5 | 9.9 | 2.2 | 010 | * |
| XAB 7 11.9 2.2 | 7 | 11.9 | 2.2 | 012 | * |
| XAB 8 15.3 3.2 | 8 | 15.3 | 3.2 | 111 | * |
| XAB 10 17.3 3.2 | 10 | 17.3 | 3.2 | 112 | * |
| XAB 12 19.3 3.2 | 12 | 19.3 | 3.2 | 114 | * |
| XAB 14 21.3 3.2 | 14 | 21.3 | 3.2 | 115 | * |
| XAB 15 22.3 3.2 | 15 | 22.3 | 3.2 | 116 | * |
| XAB 16 23.3 3.2 | 16 | 23.3 | 3.2 | 116 | * |
| XAB 17 24.3 3.2 | 17 | 24.3 | 3.2 | 117 | * |
| XAB 18 25.3 3.2 | 18 | 25.3 | 3.2 | 117 | * |
| XAB 20 30.7 4.2 | 20 | 30.7 | 4.2 | 214 | * |
| XAB 22 32.7 4.2 | 22 | 32.7 | 4.2 | 215 | * |
| XAB 24 34.7 4.2 | 24 | 34.7 | 4.2 | 216 | * |
| XAB 25 35.7 4.2 | 25 | 35.7 | 4.2 | 217 | * |
| XAB 26 36.7 4.2 | 26 | 36.7 | 4.2 | 218 | * |

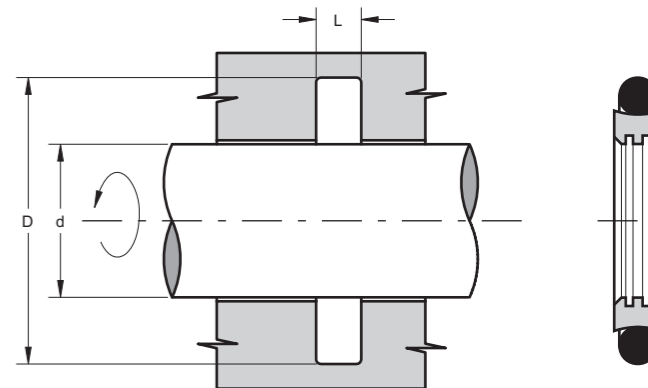
* a richiesta - on request

| Codice - Part No. | d ^{h9} | D ^{H10} | L ^{+0.2} | OR | €uro |
|-------------------|-----------------|------------------|-------------------|-----|------|
| XAB 28 38.7 4.2 | 28 | 38.7 | 4.2 | 219 | * |
| XAB 30 40.7 4.2 | 30 | 40.7 | 4.2 | 220 | * |
| XAB 32 42.7 4.2 | 32 | 42.7 | 4.2 | 221 | * |
| XAB 35 45.7 4.2 | 35 | 45.7 | 4.2 | 222 | * |
| XAB 36 46.7 4.2 | 36 | 46.7 | 4.2 | 223 | * |
| XAB 37 47.7 4.2 | 37 | 47.7 | 4.2 | 223 | * |
| XAB 38 53.1 6.3 | 38 | 53.1 | 6.3 | 327 | * |
| XAB 40 55.1 6.3 | 40 | 55.1 | 6.3 | 328 | * |
| XAB 42 57.1 6.3 | 42 | 57.1 | 6.3 | 328 | * |
| XAB 45 60.1 6.3 | 45 | 60.1 | 6.3 | 329 | * |
| XAB 48 63.1 6.3 | 48 | 63.1 | 6.3 | 330 | * |
| XAB 50 65.1 6.3 | 50 | 65.1 | 6.3 | 331 | * |
| XAB 52 67.1 6.3 | 52 | 67.1 | 6.3 | 331 | * |
| XAB 55 70.1 6.3 | 55 | 70.1 | 6.3 | 332 | * |
| XAB 58 73.1 6.3 | 58 | 73.1 | 6.3 | 333 | * |
| XAB 60 75.1 6.3 | 60 | 75.1 | 6.3 | 334 | * |
| XAB 65 80.1 6.3 | 65 | 80.1 | 6.3 | 335 | * |
| XAB 70 85.1 6.3 | 70 | 85.1 | 6.3 | 337 | * |
| XAB 75 90.1 6.3 | 75 | 90.1 | 6.3 | 339 | * |
| XAB 80 95.1 6.3 | 80 | 95.1 | 6.3 | 340 | * |
| XAB 85 100.1 6.3 | 85 | 100.1 | 6.3 | 342 | * |
| XAB 90 105.1 6.3 | 90 | 105.1 | 6.3 | 343 | * |
| XAB 95 110.1 6.3 | 95 | 110.1 | 6.3 | 345 | * |
| XAB 100 115.1 6.3 | 100 | 115.1 | 6.3 | 346 | * |
| XAB 110 125.1 6.3 | 110 | 125.1 | 6.3 | 350 | * |
| XAB 120 135.1 6.3 | 120 | 135.1 | 6.3 | 353 | * |
| XAB 125 140.1 6.3 | 125 | 140.1 | 6.3 | 354 | * |
| XAB 130 145.1 6.3 | 130 | 145.1 | 6.3 | 356 | * |
| XAB 140 155.1 6.3 | 140 | 155.1 | 6.3 | 359 | * |
| XAB 150 165.1 6.3 | 150 | 165.1 | 6.3 | 361 | * |
| XAB 155 170.1 6.3 | 155 | 170.1 | 6.3 | 362 | * |
| XAB 160 175.1 6.3 | 160 | 175.1 | 6.3 | 363 | * |
| XAB 170 185.1 6.3 | 170 | 185.1 | 6.3 | 365 | * |
| XAB 175 190.1 6.3 | 175 | 190.1 | 6.3 | 366 | * |
| XAB 180 195.1 6.3 | 180 | 195.1 | 6.3 | 366 | * |
| XAB 185 200.1 6.3 | 185 | 200.1 | 6.3 | 367 | * |
| XAB 190 205.1 6.3 | 190 | 205.1 | 6.3 | 368 | * |
| XAB 195 210.1 6.3 | 195 | 210.1 | 6.3 | 368 | * |
| XAB 200 220.5 8.1 | 200 | 220.5 | 8.1 | 674 | * |
| XAB 210 230.5 8.1 | 210 | 230.5 | 8.1 | 446 | * |
| XAB 220 240.5 8.1 | 220 | 240.5 | 8.1 | 447 | * |
| XAB 225 245.5 8.1 | 225 | 245.5 | 8.1 | 447 | * |
| XAB 230 250.5 8.1 | 230 | 250.5 | 8.1 | 448 | * |

* a richiesta - on request

| Codice - Part No. | d ^{h9} | D ^{H10} | L ^{+0.2} | OR | €uro |
|-------------------|-----------------|------------------|-------------------|-----|------|
| XAB 240 260.5 8.1 | 240 | 260.5 | 8.1 | 448 | * |
| XAB 250 270.5 8.1 | 250 | 270.5 | 8.1 | 449 | * |
| XAB 260 284.0 8.1 | 260 | 284.0 | 8.1 | 450 | * |
| XAB 270 294.0 8.1 | 270 | 294.0 | 8.1 | 451 | * |
| XAB 280 304.0 8.1 | 280 | 304.0 | 8.1 | 452 | * |
| XAB 290 314.0 8.1 | 290 | 314.0 | 8.1 | 453 | * |
| XAB 300 324.0 8.1 | 300 | 324.0 | 8.1 | 454 | * |
| XAB 310 334.0 8.1 | 310 | 334.0 | 8.1 | 454 | * |
| XAB 320 344.0 8.1 | 320 | 344.0 | 8.1 | 455 | * |
| XAB 330 354.0 8.1 | 330 | 354.0 | 8.1 | 456 | * |
| XAB 340 364.0 8.1 | 340 | 364.0 | 8.1 | 457 | * |
| XAB 350 374.0 8.1 | 350 | 374.0 | 8.1 | 458 | * |
| XAB 360 384.0 8.1 | 360 | 384.0 | 8.1 | 458 | * |
| XAB 370 394.0 8.1 | 370 | 394.0 | 8.1 | 459 | * |
| XAB 380 404.0 8.1 | 380 | 404.0 | 8.1 | 460 | * |
| XAB 390 414.0 8.1 | 390 | 414.0 | 8.1 | 461 | * |
| XAB 400 424.0 8.1 | 400 | 424.0 | 8.1 | 461 | * |
| XAB 420 444.0 8.1 | 420 | 444.0 | 8.1 | 463 | * |
| XAB 440 464.0 8.1 | 440 | 464.0 | 8.1 | 464 | * |
| XAB 450 474.0 8.1 | 450 | 474.0 | 8.1 | 465 | * |
| XAB 460 484.0 8.1 | 460 | 484.0 | 8.1 | 466 | * |
| XAB 480 504.0 8.1 | 480 | 504.0 | 8.1 | 468 | * |
| XAB 500 524.0 8.1 | 500 | 524.0 | 8.1 | 469 | * |

XRB TENUTA INTERNA PER ORGANI ROTANTI DOUBLE ACTING SEAL FOR ROTATING ROD



| Codice - Part No. | d ^{h8} | D ^{H9} | L ^{+0.2} | OR | €uro |
|-------------------|-----------------|-----------------|-------------------|-----|------|
| XRB 6 10.9 2.2 | 6 | 10.9 | 2.2 | 011 | * |
| XRB 8 12.9 2.2 | 8 | 12.9 | 2.2 | 012 | * |

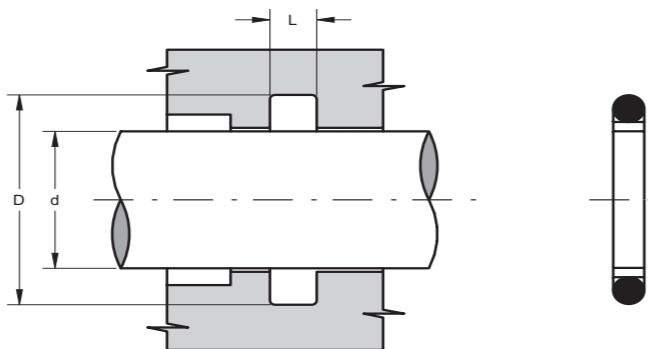
* a richiesta - on request

| Codice - Part No. | d ^{f8} | D ^{H9} | L ^{+0.2} | OR | €uro |
|-------------------|-----------------|-----------------|-------------------|-----|------|
| XRБ 10 14.9 2.2 | 10 | 14.9 | 2.2 | 013 | * |
| XRБ 12 16.9 2.2 | 12 | 16.9 | 2.2 | 015 | * |
| XRБ 14 18.9 2.2 | 14 | 18.9 | 2.2 | 016 | * |
| XRБ 15 19.9 2.2 | 15 | 19.9 | 2.2 | 017 | * |
| XRБ 16 20.9 2.2 | 16 | 20.9 | 2.2 | 017 | * |
| XRБ 18 22.9 2.2 | 18 | 22.9 | 2.2 | 019 | * |
| XRБ 20 27.5 3.2 | 20 | 27.5 | 3.2 | 119 | * |
| XRБ 22 29.5 3.2 | 22 | 29.5 | 3.2 | 120 | * |
| XRБ 25 32.5 3.2 | 25 | 32.5 | 3.2 | 122 | * |
| XRБ 28 35.5 3.2 | 28 | 35.5 | 3.2 | 124 | * |
| XRБ 30 37.5 3.2 | 30 | 37.5 | 3.2 | 125 | * |
| XRБ 32 39.5 3.2 | 32 | 39.5 | 3.2 | 126 | * |
| XRБ 35 42.5 3.2 | 35 | 42.5 | 3.2 | 128 | * |
| XRБ 36 43.5 3.2 | 36 | 43.5 | 3.2 | 129 | * |
| XRБ 40 51 4.2 | 40 | 51 | 4.2 | 224 | * |
| XRБ 42 53 4.2 | 42 | 53 | 4.2 | 828 | * |
| XRБ 45 56 4.2 | 45 | 56 | 4.2 | 830 | * |
| XRБ 48 59 4.2 | 48 | 59 | 4.2 | 832 | * |
| XRБ 50 61 4.2 | 50 | 61 | 4.2 | 833 | * |
| XRБ 52 63 4.2 | 52 | 63 | 4.2 | 228 | * |
| XRБ 55 66 4.2 | 55 | 66 | 4.2 | 836 | * |
| XRБ 56 67 4.2 | 56 | 67 | 4.2 | 229 | * |
| XRБ 60 71 4.2 | 60 | 71 | 4.2 | 839 | * |
| XRБ 63 74 4.2 | 63 | 74 | 4.2 | 841 | * |
| XRБ 65 76 4.2 | 65 | 76 | 4.2 | 232 | * |
| XRБ 70 81 4.2 | 70 | 81 | 4.2 | 846 | * |
| XRБ 75 86 4.2 | 75 | 86 | 4.2 | 235 | * |
| XRБ 80 91 4.2 | 80 | 91 | 4.2 | 236 | * |
| XRБ 85 96 4.2 | 85 | 96 | 4.2 | 238 | * |
| XRБ 90 101 4.2 | 90 | 101 | 4.2 | 240 | * |
| XRБ 95 106 4.2 | 95 | 106 | 4.2 | 241 | * |
| XRБ 100 111 4.2 | 100 | 111 | 4.2 | 242 | * |
| XRБ 105 116 4.2 | 105 | 116 | 4.2 | 244 | * |
| XRБ 110 121 4.2 | 110 | 121 | 4.2 | 246 | * |
| XRБ 115 126 4.2 | 115 | 126 | 4.2 | 247 | * |
| XRБ 120 131 4.2 | 120 | 131 | 4.2 | 249 | * |
| XRБ 125 136 4.2 | 125 | 136 | 4.2 | 250 | * |
| XRБ 130 141 4.2 | 130 | 141 | 4.2 | 252 | * |
| XRБ 135 146 4.2 | 135 | 146 | 4.2 | 254 | * |
| XRБ 140 151 4.2 | 140 | 151 | 4.2 | 255 | * |
| XRБ 145 156 4.2 | 145 | 156 | 4.2 | 257 | * |
| XRБ 150 161 4.2 | 150 | 161 | 4.2 | 258 | * |
| XRБ 160 171 4.2 | 160 | 171 | 4.2 | 259 | * |

* a richiesta - on request

| Codice - Part No. | d ^{f8} | D ^{H9} | L ^{+0.2} | OR | €uro |
|-------------------|-----------------|-----------------|-------------------|---------|------|
| XRБ 170 181 4.2 | 170 | 181 | 4.2 | 261 | * |
| XRБ 180 191 4.2 | 180 | 191 | 4.2 | 263 | * |
| XRБ 190 201 4.2 | 190 | 201 | 4.2 | 264 | * |
| XRБ 200 215.5 6.3 | 200 | 215.5 | 6.3 | 369 | * |
| XRБ 210 225.5 6.3 | 210 | 225.5 | 6.3 | 371 | * |
| XRБ 220 235.5 6.3 | 220 | 235.5 | 6.3 | 373 | * |
| XRБ 240 255.5 6.3 | 240 | 255.5 | 6.3 | 376 | * |
| XRБ 250 265.5 6.3 | 250 | 265.5 | 6.3 | 377 | * |
| XRБ 280 301 8.1 | 280 | 301 | 8.1 | 452 | * |
| XRБ 300 321 8.1 | 300 | 321 | 8.1 | 453 | * |
| XRБ 320 341 8.1 | 320 | 341 | 8.1 | 455 | * |
| XRБ 350 371 8.1 | 350 | 371 | 8.1 | 457 | * |
| XRБ 360 381 8.1 | 360 | 381 | 8.1 | 458 | * |
| XRБ 400 421 8.1 | 400 | 421 | 8.1 | 461 | * |
| XRБ 420 441 8.1 | 420 | 441 | 8.1 | 462 | * |
| XRБ 450 471 8.1 | 450 | 471 | 8.1 | 465 | * |
| XRБ 480 501 8.1 | 480 | 501 | 8.1 | 467 | * |
| XRБ 500 521 8.1 | 500 | 521 | 8.1 | 469 | * |
| XRБ 520 541 8.1 | 520 | 541 | 8.1 | 470 | * |
| XRБ 550 571 8.1 | 550 | 571 | 8.1 | 471 | * |
| XRБ 600 621 8.1 | 600 | 621 | 8.1 | 473 | * |
| XRБ 650 678 9.5 | 650 | 678 | 9.5 | 660x8.4 | * |
| XRБ 700 728 9.5 | 700 | 728 | 9.5 | 710x8.4 | * |
| XRБ 750 778 9.5 | 750 | 778 | 9.5 | 760x8.4 | * |

XL TENUTA STELO A DOPPIO EFFETTO DOUBLE ACTING ROD SEAL



| Codice - Part No. | d ^{f7} | D ^{H9} | L ^{+0.2} | OR | €uro |
|-------------------|-----------------|-----------------|-------------------|-----|------|
| XL 610-5 | 5 | 9.5 | 2 | 610 | * |
| XL 011-6 | 6 | 10.5 | 2 | 011 | * |

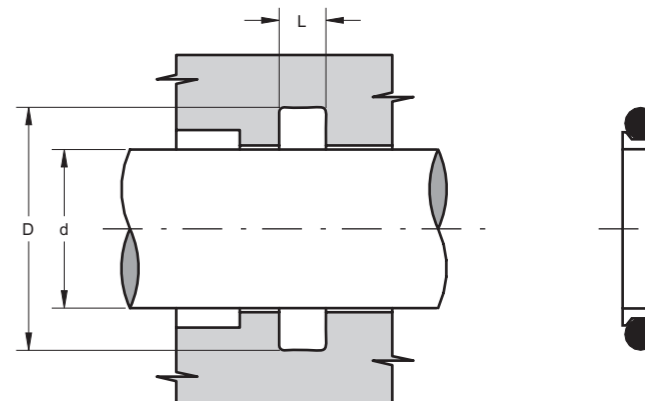
* a richiesta - on request

| Codice - Part No. | d ^{f7} | D ^{H9} | L ^{+0.2} | OR | €uro |
|-------------------|-----------------|-----------------|-------------------|-----|------|
| XL 012-8 | 8 | 12.5 | 2 | 012 | * |
| XL 614-10 | 10 | 16.2 | 3 | 614 | * |
| XL 113-12 | 12 | 18.2 | 3 | 113 | * |
| XL 114-14 | 14 | 20.2 | 3 | 114 | * |
| XL 809-15 | 15 | 21.1 | 3 | 809 | * |
| XL 617-16 | 16 | 22.2 | 3 | 617 | * |
| XL 116-18 | 18 | 24.1 | 3 | 116 | * |
| XL 118-20 | 20 | 26.2 | 3 | 118 | * |
| XL 119-22 | 22 | 28.2 | 3 | 119 | * |
| XL 121-25 | 25 | 31.2 | 3 | 121 | * |
| XL 217-28 | 28 | 36.0 | 4 | 217 | * |
| XL 218-30 | 30 | 38.0 | 4 | 218 | * |
| XL 219-32 | 32 | 39.9 | 4 | 219 | * |
| XL 221-35 | 35 | 42.9 | 4 | 221 | * |
| XL 824-38 | 38 | 46.0 | 4 | 824 | * |
| XL 825-40 | 40 | 48.0 | 4 | 825 | * |
| XL 224-42 | 42 | 50.0 | 4 | 224 | * |
| XL 225-45 | 45 | 53.0 | 4 | 225 | * |
| XL 329-50 | 50 | 61.6 | 6 | 329 | * |
| XL 331-55 | 55 | 66.7 | 6 | 331 | * |
| XL 331-56 | 56 | 67.6 | 6 | 331 | * |
| XL 333-60 | 60 | 71.7 | 6 | 333 | * |
| XL 334-63 | 63 | 74.7 | 6 | 334 | * |
| XL 334-65 | 65 | 76.6 | 6 | 334 | * |
| XL 336-70 | 70 | 81.7 | 6 | 336 | * |
| XL 338-75 | 75 | 87.1 | 6 | 338 | * |
| XL 339-80 | 80 | 92.1 | 6 | 339 | * |
| XL 341-85 | 85 | 97.1 | 6 | 341 | * |
| XL 342-90 | 90 | 102.1 | 6 | 342 | * |
| XL 344-95 | 95 | 107.1 | 6 | 344 | * |
| XL 345-100 | 100 | 112.1 | 6 | 345 | * |
| XL 348-110 | 110 | 122.0 | 6 | 348 | * |
| XL 428-120 | 120 | 135.5 | 8 | 428 | * |
| XL 429-125 | 125 | 140.5 | 8 | 429 | * |
| XL 431-130 | 130 | 145.5 | 8 | 431 | * |
| XL 434-140 | 140 | 155.5 | 8 | 434 | * |
| XL 437-150 | 150 | 165.5 | 8 | 437 | * |
| XL 439-160 | 160 | 175.5 | 8 | 439 | * |
| XL 878-170 | 170 | 186.3 | 8 | 878 | * |
| XL 442-180 | 180 | 196.3 | 8 | 442 | * |

* a richiesta - on request

| Codice - Part No. | d ^{f7} | D ^{H9} | L ^{+0.2} | OR | €uro |
|-------------------|-----------------|-----------------|-------------------|-----|------|
| XL 884-190 | 190 | 206.3 | 8 | 884 | * |
| XL 445-200 | 200 | 216.3 | 8 | 445 | * |
| XL 449-250 | 250 | 266.3 | 8 | 449 | * |
| XL 686-280 | 280 | 296.3 | 8 | 686 | * |
| XL 453-300 | 300 | 316.3 | 8 | 453 | * |

XC TENUTA STELO A DOPPIO EFFETTO DOUBLE ACTING ROD SEAL



| Codice - Part No. | d ^{f7} | D ^{H9} | L ^{+0.2} | OR | €uro |
|-------------------|-----------------|-----------------|-------------------|-----|------|
| XC 007-3 | 3 | 6.5 | 2.5 | 007 | * |
| XC 008-4 | 4 | 7.5 | 2.5 | 008 | * |
| XC 009-5 | 5 | 8.5 | 2.5 | 009 | * |
| XC 010-6 | 6 | 9.5 | 2.5 | 010 | * |
| XC 011-8 | 8 | 11.5 | 2.5 | 011 | * |
| XC 012-10 | 10 | 13.5 | 2.5 | 012 | * |
| XC 110-9 | 9 | 14.5 | 3.5 | 110 | * |
| XC 111-11 | 11 | 16.5 | 3.5 | 111 | * |
| XC 112-12 | 12 | 17.5 | 3.5 | 112 | * |
| XC 113-14 | 14 | 19.5 | 3.5 | 113 | * |
| XC 114-15 | 15 | 20.5 | 3.5 | 114 | * |
| XC 115-17 | 17 | 22.5 | 3.5 | 115 | * |
| XC 210-19 | 19 | 26.1 | 4.5 | 210 | * |
| XC 211-20 | 20 | 27.1 | 4.5 | 211 | * |
| XC 212-22 | 22 | 29.1 | 4.5 | 212 | * |
| XC 213-23 | 23 | 30.1 | 4.5 | 213 | * |
| XC 214-25 | 25 | 32.1 | 4.5 | 214 | * |

* a richiesta - on request

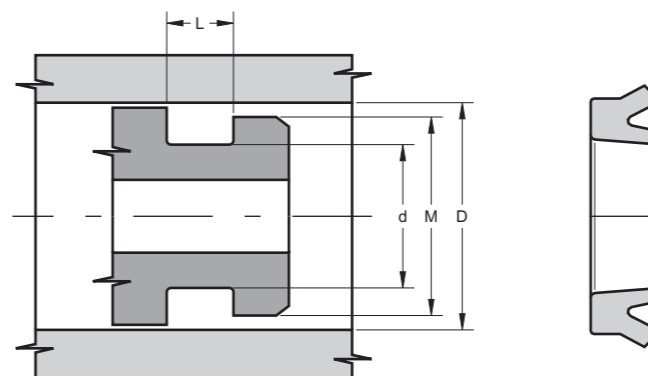
| Codice - Part No. | d ^{f7} | D ^{H9} | L ^{+0.2} | OR | €uro |
|-------------------|-----------------|-----------------|-------------------|-----|------|
| XC 215-27 | 27 | 34.1 | 4.5 | 215 | * |
| XC 216-28 | 28 | 35.1 | 4.5 | 216 | * |
| XC 217-30 | 30 | 37.1 | 4.5 | 217 | * |
| XC 218-31 | 31 | 38.1 | 4.5 | 218 | * |
| XC 219-33 | 33 | 40.1 | 4.5 | 219 | * |
| XC 220-35 | 35 | 42.1 | 4.5 | 220 | * |
| XC 221-36 | 36 | 43.1 | 4.5 | 221 | * |
| XC 325-38 | 38 | 48.4 | 7.0 | 325 | * |
| XC 326-40 | 40 | 50.4 | 7.0 | 326 | * |
| XC 327-45 | 45 | 55.4 | 7.0 | 327 | * |
| XC 328-47 | 47 | 57.4 | 7.0 | 328 | * |
| XC 329-50 | 50 | 60.4 | 7.0 | 329 | * |
| XC 330-53 | 53 | 63.4 | 7.0 | 330 | * |
| XC 331-57 | 57 | 67.4 | 7.0 | 331 | * |
| XC 332-60 | 60 | 70.4 | 7.0 | 332 | * |
| XC 333-63 | 63 | 73.4 | 7.0 | 333 | * |
| XC 334-66 | 66 | 76.4 | 7.0 | 334 | * |
| XC 335-70 | 70 | 80.4 | 7.0 | 335 | * |
| XC 336-73 | 73 | 83.4 | 7.0 | 336 | * |
| XC 337-75 | 75 | 85.4 | 7.0 | 337 | * |
| XC 338-80 | 80 | 90.4 | 7.0 | 338 | * |
| XC 339-82 | 82 | 92.4 | 7.0 | 339 | * |
| XC 340-85 | 85 | 95.4 | 7.0 | 340 | * |
| XC 341-90 | 90 | 100.4 | 7.0 | 341 | * |
| XC 342-92 | 92 | 102.4 | 7.0 | 342 | * |
| XC 343-95 | 95 | 105.4 | 7.0 | 343 | * |
| XC 344-98 | 98 | 108.4 | 7.0 | 344 | * |
| XC 345-100 | 100 | 110.4 | 7.0 | 345 | * |
| XC 346-104 | 104 | 114.4 | 7.0 | 346 | * |
| XC 347-107 | 107 | 117.4 | 7.0 | 347 | * |
| XC 348-111 | 111 | 121.4 | 7.0 | 348 | * |
| XC 425-114 | 114 | 127.7 | 9.5 | 425 | * |
| XC 426-117 | 117 | 130.7 | 9.5 | 426 | * |
| XC 427-120 | 120 | 133.7 | 9.5 | 427 | * |
| XC 428-123 | 123 | 136.7 | 9.5 | 428 | * |
| XC 429-126 | 126 | 139.7 | 9.5 | 429 | * |
| XC 430-130 | 130 | 143.7 | 9.5 | 430 | * |
| XC 431-133 | 133 | 146.7 | 9.5 | 431 | * |
| XC 432-136 | 136 | 149.7 | 9.5 | 432 | * |
| XC 433-139 | 139 | 152.7 | 9.5 | 433 | * |

* a richiesta - on request

| Codice - Part No. | d ^{f7} | D ^{H9} | L ^{+0.2} | OR | €uro |
|-------------------|-----------------|-----------------|-------------------|-----|------|
| XC 434-142 | 142 | 155.7 | 9.5 | 434 | * |
| XC 435-145 | 145 | 158.7 | 9.5 | 435 | * |
| XC 436-149 | 149 | 162.7 | 9.5 | 436 | * |
| XC 437-152 | 152 | 165.7 | 9.5 | 437 | * |
| XC 438-158 | 158 | 171.7 | 9.5 | 438 | * |
| XC 439-165 | 165 | 178.7 | 9.5 | 439 | * |
| XC 440-170 | 170 | 183.7 | 9.5 | 440 | * |
| XC 441-178 | 178 | 191.7 | 9.5 | 441 | * |
| XC 442-184 | 184 | 197.7 | 9.5 | 442 | * |
| XC 443-190 | 190 | 203.7 | 9.5 | 443 | * |
| XC 444-196 | 196 | 209.7 | 9.5 | 444 | * |
| XC 445-203 | 203 | 216.7 | 9.5 | 445 | * |
| XC 674-210 | 210 | 223.7 | 9.5 | 674 | * |
| XC 446-215 | 215 | 228.7 | 9.5 | 446 | * |
| XC 676-222 | 222 | 235.7 | 9.5 | 676 | * |
| XC 447-230 | 230 | 243.7 | 9.5 | 447 | * |
| XC 678-235 | 235 | 248.7 | 9.5 | 678 | * |
| XC 448-240 | 240 | 253.7 | 9.5 | 448 | * |
| XC 680-248 | 248 | 261.7 | 9.5 | 680 | * |
| XC 449-255 | 255 | 268.7 | 9.5 | 449 | * |
| XC 682-260 | 260 | 273.7 | 9.5 | 682 | * |
| XC 450-265 | 265 | 278.7 | 9.5 | 450 | * |
| XC 684-273 | 273 | 286.7 | 9.5 | 684 | * |
| XC 451-280 | 280 | 293.7 | 9.5 | 451 | * |
| XC 686-285 | 285 | 298.7 | 9.5 | 686 | * |
| XC 452-292 | 292 | 305.7 | 9.5 | 452 | * |
| XC 688-300 | 300 | 313.7 | 9.5 | 688 | * |
| XC 453-305 | 305 | 318.7 | 9.5 | 453 | * |
| XC 454-318 | 318 | 331.7 | 9.5 | 454 | * |
| XC 455-330 | 330 | 343.7 | 9.5 | 455 | * |
| XC 456-342 | 342 | 355.7 | 9.5 | 456 | * |
| XC 457-355 | 355 | 368.7 | 9.5 | 457 | * |
| XC 458-370 | 370 | 383.7 | 9.5 | 458 | * |
| XC 459-380 | 380 | 393.7 | 9.5 | 459 | * |
| XC 460-393 | 393 | 406.7 | 9.5 | 460 | * |

* a richiesta - on request

KD TENUTA PISTONE A LABBRI ASIMMETRICI PISTON SEAL WITH ASYMMETRIC LIPS



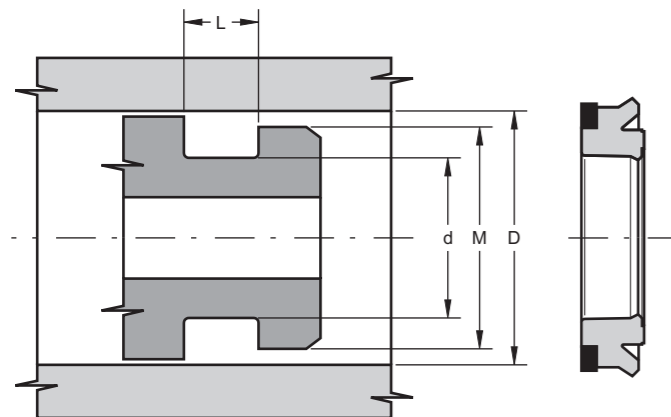
| Codice - Part No. | D ^{H10} | d ^{f8} | L ^{+0.25} | M | €uro |
|-------------------|------------------|-----------------|--------------------|----|------|
| KD 20 10 7.5 | 20 | 10 | 8.5 | 14 | 1,03 |
| KD 20 12 5.3 | 20 | 12 | 5.8 | 15 | 1,09 |
| KD 22 12 8 | 22 | 12 | 9.0 | 16 | 1,06 |
| KD 25 13 7 | 25 | 13 | 8.0 | 17 | 1,12 |
| KD 30 15 10 | 30 | 15 | 11.0 | 20 | 1,33 |
| KD 30 20 8 | 30 | 20 | 9.0 | 24 | 1,36 |
| KD 30 22 6 | 30 | 22 | 7.0 | 25 | 1,36 |
| KD 31.75 19 7 | 31.75 | 19 | 8.0 | 24 | 1,42 |
| KD 32 17 10 | 32 | 17 | 11.0 | 22 | 1,33 |
| KD 32 22 10 | 32 | 22 | 11.0 | 26 | 1,42 |
| KD 35 20 10 | 35 | 20 | 11.0 | 25 | 1,51 |
| KD 35 22.5 6 | 35 | 22.5 | 7.0 | 27 | 1,42 |
| KD 35 25 8 | 35 | 25 | 9.0 | 29 | 1,45 |
| KD 38 31 4.7 | 38 | 31 | 5.2 | 34 | 1,48 |
| KD 40 25 10 | 40 | 25 | 11.0 | 30 | 1,60 |
| KD 40 30 6.5 | 40 | 30 | 7.5 | 34 | 1,54 |
| KD 42 32 10 | 42 | 32 | 11.0 | 36 | 1,60 |
| KD 45 30 10 | 45 | 30 | 11.0 | 35 | 1,86 |
| KD 46 39.4 4 | 46 | 39.4 | 4.5 | 42 | 1,47 |
| KD 50 35 10 | 50 | 35 | 11.0 | 40 | 2,07 |
| KD 50 40 5 | 50 | 40 | 5.5 | 44 | 2,04 |
| KD 50 40 10 | 50 | 40 | 11.0 | 44 | 2,04 |
| KD 50 42 5.5 | 50 | 42 | 6.0 | 45 | 2,04 |
| KD 50 42 8 | 50 | 42 | 9.0 | 45 | 2,04 |
| KD 55 40 10 | 55 | 40 | 11.0 | 45 | 2,10 |
| KD 60 40 12 | 60 | 40 | 13.0 | 45 | 2,22 |
| KD 60 40 13.5 | 60 | 40 | 14.5 | 45 | 2,22 |

| Codice - Part No. | D ^{H10} | d ^{f8} | L ^{+0.25} | M | €uro |
|-------------------|------------------|-----------------|--------------------|-----|------|
| KD 60 45 10 | 60 | 45 | 11.0 | 50 | 2,19 |
| KD 60 50 7 | 60 | 50 | 8.0 | 54 | 2,19 |
| KD 63 45 10 | 63 | 45 | 11.0 | 50 | 2,22 |
| KD 63 48 10 | 63 | 48 | 11.0 | 53 | 2,22 |
| KD 63 53 7 | 63 | 53 | 8.0 | 57 | 2,22 |
| KD 65 45 12 | 65 | 45 | 13.0 | 50 | 2,25 |
| KD 65 50 10 | 65 | 50 | 11.0 | 55 | 2,25 |
| KD 65 55 10 | 65 | 55 | 11.0 | 59 | 2,25 |
| KD 70 50 12 | 70 | 50 | 13.0 | 55 | 2,36 |
| KD 70 50 15 | 70 | 50 | 16.0 | 55 | 2,36 |
| KD 70 60 7 | 70 | 60 | 8.0 | 64 | 2,25 |
| KD 70 60 8 | 70 | 60 | 9.0 | 64 | 2,25 |
| KD 70 60 12 | 70 | 60 | 13.0 | 64 | 2,34 |
| KD 75 65 5 | 75 | 65 | 5.5 | 69 | 2,39 |
| KD 75 65 7 | 75 | 65 | 8.0 | 69 | 2,39 |
| KD 75 65 10 | 75 | 65 | 11.0 | 69 | 2,39 |
| KD 75 65 12 | 75 | 65 | 13.0 | 69 | 2,39 |
| KD 80 60 12 | 80 | 60 | 13.0 | 65 | 2,66 |
| KD 80 60 13.5 | 80 | 60 | 14.5 | 65 | 2,69 |
| KD 80 65 12 | 80 | 65 | 13.0 | 70 | 2,57 |
| KD 80 70 7 | 80 | 70 | 8.0 | 74 | 2,54 |
| KD 85 65 13.5 | 85 | 65 | 14.5 | 70 | 2,69 |
| KD 90 70 12 | 90 | 70 | 13.0 | 75 | 2,69 |
| KD 90 70 13.5 | 90 | 70 | 14.5 | 75 | 2,69 |
| KD 90 75 10 | 90 | 75 | 11.0 | 80 | 2,69 |
| KD 90 75 12 | 90 | 75 | 13.0 | 80 | 2,69 |
| KD 90 80 5 | 90 | 80 | 5.5 | 84 | 2,51 |
| KD 95 85 7 | 95 | 85 | 8.0 | 89 | 2,75 |
| KD 95 85 8.5 | 95 | 85 | 9.5 | 89 | 2,75 |
| KD 95 87 4 | 95 | 87 | 4.5 | 91 | 2,75 |
| KD 100 80 12 | 100 | 80 | 13.0 | 85 | 2,75 |
| KD 100 85 12 | 100 | 85 | 13.0 | 90 | 2,78 |
| KD 100 90 8 | 100 | 90 | 9.0 | 94 | 2,75 |
| KD 105 85 12 | 105 | 85 | 13.0 | 90 | 2,87 |
| KD 110 100 7 | 110 | 100 | 8.0 | 104 | 2,90 |
| KD 120 100 12 | 120 | 100 | 13.0 | 105 | 3,40 |
| KD 125 105 12 | 125 | 105 | 13.0 | 110 | 3,64 |
| KD 180 160 13.5 | 180 | 160 | 14.5 | 165 | 6,62 |

Misure in pollici - Inch sizes

| | | | | | |
|-------------------|--------|-------|------|------|------|
| KD 3000 2385 0345 | 76.2 | 60.6 | 14.6 | 66.2 | 2,51 |
| KD 4250 3640 0345 | 107.95 | 92.45 | 14.6 | 97.9 | 2,37 |

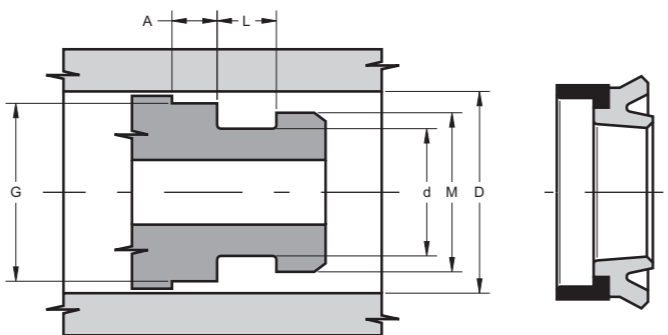
KDA TENUTA PISTONE A LABBRI ASIMMETRICI E ANELLO ANTIESTRUSIONE - PISTON SEAL WITH ASYMMETRIC LIPS AND ANTI-EXTRUSION RING



| Codice - Part No. | D ^{H10} | d ^{f8} | L ^{+0.25} | M | €uro |
|-------------------|------------------|-----------------|--------------------|-----|------|
| KDA 40 25 9 | 40 | 25 | 9.5 | 35 | 2,11 |
| KDA 45 30 9 | 45 | 30 | 9.5 | 40 | 2,30 |
| KDA 50 35 9 | 50 | 35 | 9.5 | 45 | 2,68 |
| KDA 55 40 9 | 55 | 40 | 9.5 | 50 | 3,07 |
| KDA 60 40 14 | 60 | 40 | 14.5 | 54 | 3,79 |
| KDA 60 45 9 | 60 | 45 | 9.5 | 55 | 3,45 |
| KDA 63 48 9 | 63 | 48 | 9.5 | 58 | 3,83 |
| KDA 65 50 9 | 65 | 50 | 9.5 | 60 | 4,22 |
| KDA 70 50 12 | 70 | 50 | 12.5 | 64 | 4,60 |
| KDA 70 55 9 | 70 | 55 | 9.5 | 64 | 4,98 |
| KDA 75 55 12 | 75 | 55 | 12.5 | 69 | 5,17 |
| KDA 80 60 12 | 80 | 60 | 12.5 | 74 | 5,36 |
| KDA 80 65 9 | 80 | 65 | 9.5 | 75 | 5,75 |
| KDA 85 70 9 | 85 | 70 | 9.5 | 80 | 5,94 |
| KDA 90 70 12 | 90 | 70 | 12.5 | 84 | 6,13 |
| KDA 90 75 9 | 90 | 75 | 9.5 | 85 | 6,51 |
| KDA 100 80 12 | 100 | 80 | 12.5 | 94 | 6,71 |
| KDA 100 85 9 | 100 | 85 | 9.5 | 95 | 7,09 |
| KDA 100 85 14 | 100 | 85 | 14.5 | 95 | 3,96 |
| KDA 105 85 12 | 105 | 85 | 12.5 | 99 | 7,09 |
| KDA 110 90 12 | 110 | 90 | 12.5 | 104 | 7,47 |
| KDA 110 95 9 | 110 | 95 | 9.5 | 105 | 7,86 |
| KDA 115 95 12 | 115 | 95 | 12.5 | 109 | 8,05 |

| Codice - Part No. | D ^{H10} | d ^{f8} | L ^{+0.25} | M | €uro |
|-------------------|------------------|-----------------|--------------------|-----|-------|
| KDA 120 105 9 | 120 | 105 | 9.5 | 115 | 8,05 |
| KDA 125 100 15 | 125 | 100 | 15.5 | 117 | 8,24 |
| KDA 125 105 12 | 125 | 105 | 12.5 | 119 | 8,43 |
| KDA 130 110 12 | 130 | 110 | 12.5 | 124 | 8,62 |
| KDA 140 115 15 | 140 | 115 | 15.5 | 132 | 8,81 |
| KDA 140 120 12 | 140 | 120 | 12.5 | 134 | 9,01 |
| KDA 150 120 18.5 | 150 | 120 | 19.0 | 140 | 9,20 |
| KDA 150 130 12 | 150 | 130 | 12.5 | 144 | 9,39 |
| KDA 160 130 18.5 | 160 | 130 | 19.0 | 150 | 9,58 |
| KDA 160 140 12 | 160 | 140 | 12.5 | 154 | 9,58 |
| KDA 170 150 12 | 170 | 150 | 12.5 | 164 | 11,50 |
| KDA 180 150 18.5 | 180 | 150 | 19.0 | 170 | 13,80 |
| KDA 180 160 12 | 180 | 160 | 12.5 | 174 | 17,24 |
| KDA 190 170 12 | 190 | 170 | 12.5 | 184 | 19,16 |
| KDA 200 170 18.5 | 200 | 170 | 19.0 | 190 | 21,08 |
| KDA 200 175 15 | 200 | 175 | 15.5 | 192 | 22,99 |
| KDA 220 200 15 | 220 | 200 | 15.5 | 214 | 26,82 |
| KDA 250 220 18.5 | 250 | 220 | 19.0 | 240 | 28,74 |
| KDA 250 225 15 | 250 | 225 | 15.5 | 242 | 34,49 |

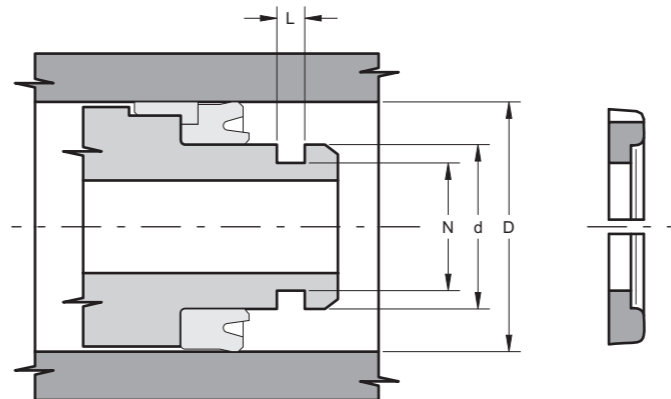
KDF TENUTA PISTONE CON GUIDA PISTON SEAL WITH WEAR RING



| Codice - Part No. | D ^{H10} | d ^{f8} | L ^{+0.25} | A ^{+0.1} | G ^{-0.05} | M | €uro |
|-------------------|------------------|-----------------|--------------------|-------------------|--------------------|----|------|
| KDF 32 20 8 | 32 | 20 | 9.0 | 6.35 | 28.50 | 24 | 1,74 |
| KDF 35 22 9 | 35 | 22 | 10.0 | 6.35 | 31.40 | 27 | 1,86 |
| KDF 40 25 8.5 | 40 | 25 | 9.5 | 6.35 | 35.40 | 30 | 2,13 |
| KDF 40 26 8.5 | 40 | 26 | 9.5 | 6.35 | 35.40 | 31 | 2,13 |

| Codice - Part No. | D ^{H10} | d ^{f8} | L ^{+0.25} | A ^{+0.1} | G ^{-0.05} | M | €uro |
|-------------------|------------------|-----------------|--------------------|-------------------|--------------------|-----|------|
| KDF 45 30 9 | 45 | 30 | 10.0 | 6.35 | 40.40 | 35 | 2,39 |
| KDF 45 35 8.5 | 45 | 35 | 9.5 | 6.35 | 40.40 | 39 | 2,39 |
| KDF 50 30 13.5 | 50 | 30 | 14.5 | 6.35 | 44.30 | 35 | 2,51 |
| KDF 50 35 10 | 50 | 35 | 11.0 | 6.35 | 45.35 | 40 | 2,51 |
| KDF 50 40 10 | 50 | 40 | 11.0 | 6.35 | 45.40 | 44 | 2,39 |
| KDF 55 40 10 | 55 | 40 | 11.0 | 6.35 | 50.35 | 45 | 2,54 |
| KDF 60 40 13.5 | 60 | 40 | 14.5 | 6.35 | 55.40 | 45 | 2,69 |
| KDF 60 45 10 | 60 | 45 | 11.0 | 6.35 | 55.40 | 50 | 2,66 |
| KDF 63 45 10 | 63 | 45 | 11.0 | 6.35 | 58.40 | 50 | 2,66 |
| KDF 65 50 10 | 65 | 50 | 11.0 | 6.35 | 60.40 | 55 | 2,84 |
| KDF 70 50 13.5 | 70 | 50 | 14.5 | 6.35 | 64.20 | 55 | 3,02 |
| KDF 80 60 12 | 80 | 60 | 13.0 | 6.35 | 74.15 | 65 | 3,19 |
| KDF 90 70 12 | 90 | 70 | 13.0 | 6.35 | 84.15 | 75 | 3,40 |
| KDF 100 80 13.5 | 100 | 80 | 14.5 | 6.35 | 93.15 | 85 | 3,64 |
| KDF 100 80 13.5/A | 100 | 80 | 14.5 | 6.35 | 94.15 | 85 | 3,64 |
| KDF 110 95 12 | 110 | 95 | 13.0 | 6.35 | 103.10 | 100 | 3,87 |
| KDF 120 100 13.5 | 120 | 100 | 14.5 | 6.35 | 113.10 | 105 | 4,26 |

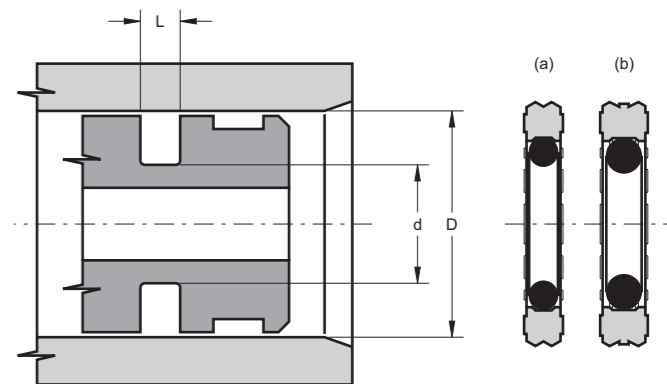
SP ANELLO DI SPALLAMENTO RETAINING RING



| Codice - Part No. | D ^{H10} | d ^{+0.1} | N ^{+0.1} | L ^{-0.2/+0.1} | €uro |
|-------------------|------------------|-------------------|-------------------|------------------------|------|
| SP 32 20 | 32 | 20 | 15.80 | 3.10 | 0,59 |
| SP 35 22 | 35 | 22 | 17.80 | 3.10 | 0,59 |
| SP 40 26 | 40 | 26 | 21.60 | 3.10 | 0,65 |
| SP 45 30 | 45 | 30 | 25.80 | 3.10 | 0,65 |

| Codice - Part No. | D ^{H10} | d ^{+0.1} | N ^{+0.1} | L ^{-0.2/+0.1} | €uro |
|-------------------|------------------|-------------------|-------------------|------------------------|------|
| SP 50 30 | 50 | 30 | 25.80 | 3.35 | 0,65 |
| SP 55 40 | 55 | 40 | 35.80 | 3.10 | 0,65 |
| SP 60 40 | 60 | 40 | 36.10 | 3.35 | 0,65 |
| SP 63 45 | 63 | 45 | 40.84 | 3.10 | 0,71 |
| SP 70 50 | 70 | 50 | 45.84 | 3.35 | 0,71 |
| SP 90 70 | 90 | 70 | 66.10 | 3.35 | 0,86 |

KPD TENUTA PISTONE A DOPPIO EFFETTO DOUBLE ACTING PISTON SEAL



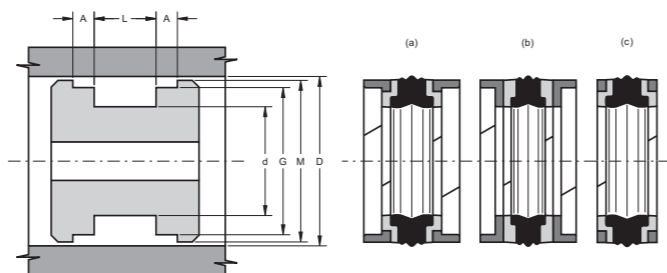
| Codice - Part No. | D ^{H10} | d ^{+0.1} | L ^{+0.2} | OR | Tipo-Type | €uro |
|-------------------|------------------|-------------------|-------------------|-----|-----------|------|
| KPD 15 7.5 3.2 | 15 | 7.5 | 3.2 | 108 | (a) | 1,29 |
| KPD 16 8.5 3.2 | 16 | 8.5 | 3.2 | 109 | (a) | 1,29 |
| KPD 20 12.5 3.2 | 20 | 12.5 | 3.2 | 112 | (a) | 1,38 |
| KPD 22 14.5 3.2 | 22 | 14.5 | 3.2 | 113 | (a) | 1,44 |
| KPD 25 14 4.2 | 25 | 14.0 | 4.2 | 207 | (b) | 1,47 |
| KPD 25 17.5 3.2 | 25 | 17.5 | 3.2 | 115 | (a) | 1,47 |
| KPD 30 22.5 3.2 | 30 | 22.5 | 3.2 | 118 | (a) | 1,52 |
| KPD 32 21 4.2 | 32 | 21.0 | 4.2 | 211 | (b) | 1,64 |
| KPD 32 24.5 3.2 | 32 | 24.5 | 3.2 | 119 | (a) | 1,64 |
| KPD 35 24 4.2 | 35 | 24.0 | 4.2 | 213 | (b) | 1,78 |
| KPD 35 27.5 3.2 | 35 | 27.5 | 3.2 | 121 | (a) | 1,78 |
| KPD 38 30.5 3.2 | 38 | 30.5 | 3.2 | 123 | (a) | 1,81 |
| KPD 40 32.5 3.2 | 40 | 32.5 | 3.2 | 124 | (a) | 1,81 |
| KPD 40 29 4.2 | 40 | 29.0 | 4.2 | 216 | (b) | 1,81 |
| KPD 40 24.5 6.3 | 40 | 24.5 | 6.3 | 318 | (b) | 1,81 |

| Codice - Part No. | D ^{H10} | d ^{+0.1} | L ^{+0.2} | OR | Tipo-Type | €uro |
|--------------------|------------------|-------------------|-------------------|------|-----------|------|
| KPD 42 31 4.2 | 42 | 31.0 | 4.2 | 217 | (b) | 1,92 |
| KPD 45 29.5 6.3 | 45 | 29.5 | 6.3 | 320 | (b) | 1,92 |
| KPD 45 34 4.2 | 45 | 34.0 | 4.2 | 219 | (b) | 1,92 |
| KPD 48 37 4.2 | 48 | 37.0 | 4.2 | 221 | (b) | 2,13 |
| KPD 49 38 4.2 | 49 | 38.0 | 4.2 | 222 | (b) | 2,13 |
| KPD 50 34.5 6.3 | 50 | 34.5 | 6.3 | 324 | (b) | 2,13 |
| KPD 50 39 4.2 | 50 | 39.0 | 4.2 | 222 | (b) | 2,13 |
| KPD 52 36.5 6.3 | 52 | 36.5 | 6.3 | 324 | (b) | 2,27 |
| KPD 54 43 4.2 | 54 | 43.0 | 4.2 | 826 | (b) | 2,41 |
| KPD 55 39.5 6.3 | 55 | 39.5 | 6.3 | 325 | (b) | 2,41 |
| KPD 55 44 4.2 | 55 | 44.0 | 4.2 | 224 | (b) | 2,41 |
| KPD 57.16 47.6 4.8 | 57.16 | 47.6 | 4.8 | 47x4 | (b) | 2,56 |
| KPD 60 44.5 6.3 | 60 | 44.5 | 6.3 | 327 | (b) | 2,70 |
| KPD 60 49 4.2 | 60 | 49.0 | 4.2 | 225 | (b) | 2,70 |
| KPD 63 47.5 6.3 | 63 | 47.5 | 6.3 | 328 | (b) | 2,79 |
| KPD 63 52 4.2 | 63 | 52.0 | 4.2 | 226 | (b) | 2,79 |
| KPD 65 49.5 6.3 | 65 | 49.5 | 6.3 | 328 | (b) | 2,90 |
| KPD 65 54 4.2 | 65 | 54.0 | 4.2 | 227 | (b) | 2,90 |
| KPD 70 54.5 6.3 | 70 | 54.5 | 6.3 | 330 | (b) | 2,93 |
| KPD 70 59 4.2 | 70 | 59.0 | 4.2 | 228 | (b) | 2,93 |

KGD

TENUTA PISTONE DOPPIO EFFETTO CON GUIDE
DOUBLE ACTING SEAL WITH WEAR RINGS

| Codice - Part No. | D ^{H10} | d ^{+0.1} | L ^{+0.2} | OR | Tipo-Type | €uro |
|-------------------|------------------|-------------------|-------------------|------|-----------|-------|
| KPD 75 59.5 6.3 | 75 | 59.5 | 6.3 | 331 | (b) | 3,19 |
| KPD 75 64 4.2 | 75 | 64.0 | 4.2 | 230 | (b) | 3,19 |
| KPD 80 64.5 6.3 | 80 | 64.5 | 6.3 | 333 | (b) | 3,33 |
| KPD 80 69 4.2 | 80 | 69.0 | 4.2 | 842 | (b) | 3,33 |
| KPD 85 69.5 6.3 | 85 | 69.5 | 6.3 | 335 | (b) | 3,76 |
| KPD 90 74.5 6.3 | 90 | 74.5 | 6.3 | 336 | (b) | 3,91 |
| KPD 95 79.5 6.3 | 95 | 79.5 | 6.3 | 338 | (b) | 4,18 |
| KPD 100 84.5 6.3 | 100 | 84.5 | 6.3 | 339 | (b) | 4,45 |
| KPD 110 94.5 6.3 | 110 | 94.5 | 6.3 | 343 | (b) | 4,94 |
| KPD 115 94 8.1 | 115 | 94.0 | 8.1 | 94x7 | (b) | 5,34 |
| KPD 120 104.5 6.3 | 120 | 104.5 | 6.3 | 346 | (b) | 5,34 |
| KPD 125 109.5 6.3 | 125 | 109.5 | 6.3 | 347 | (b) | 6,03 |
| KPD 130 114.5 6.3 | 130 | 114.5 | 6.3 | 349 | (b) | 6,12 |
| KPD 140 119 8.1 | 140 | 119.0 | 8.1 | 426 | (b) | 6,69 |
| KPD 150 129 8.1 | 150 | 129.0 | 8.1 | 430 | (b) | 7,50 |
| KPD 160 139 8.1 | 160 | 139.0 | 8.1 | 433 | (b) | 7,78 |
| KPD 170 149 8.1 | 170 | 149.0 | 8.1 | 436 | (b) | 8,56 |
| KPD 180 159 8.1 | 180 | 159.0 | 8.1 | 438 | (b) | 9,14 |
| KPD 200 179 8.1 | 200 | 179.0 | 8.1 | 441 | (b) | 10,60 |
| KPD 250 229 8.1 | 250 | 229.0 | 8.1 | 447 | (b) | 20,02 |



| Codice - Part No. | D ^{H10} | d ^{+0.1} | L ^{+0.2} | A ^{±0.1} | G ^{-0.05} | M ^{±0.2} | Tipo-Type | €uro |
|-------------------|------------------|-------------------|-------------------|-------------------|--------------------|-------------------|-----------|------|
| KGD 20 11 | 20 | 11 | 13.5 | 2.10 | 17.00 | 19.0 | (a) | 2,60 |
| KGD 25 15 | 25 | 15 | 16.4 | 6.35 | 21.45 | 23.5 | (a) | 2,66 |
| KGD 25 15/A | 25 | 15 | 12.0 | 4.00 | 21.00 | 23.0 | (a) | 2,66 |
| KGD 25 15/B | 25 | 15 | 12.5 | 4.00 | 22.00 | 24.0 | (a) | 2,66 |
| KGD 25 16 | 25 | 16 | 13.5 | 2.10 | 22.00 | 24.0 | (a) | 2,66 |
| KGD 30 17 | 30 | 17 | 15.4 | 6.35 | 26.50 | 29.0 | (a) | 3,19 |
| KGD 30 21 | 30 | 21 | 13.5 | 2.10 | 27.00 | 29.0 | (a) | 2,72 |
| KGD 32 22 | 32 | 22 | 16.4 | 6.35 | 28.50 | 30.5 | (a) | 2,84 |

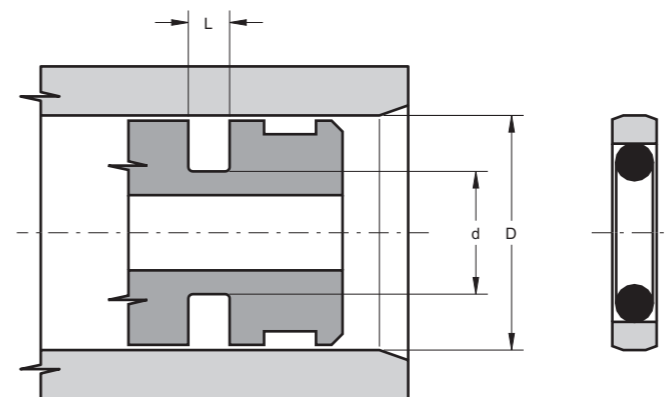
| Codice - Part No. | D ^{H10} | d ^{+0.1} | L ^{+0.2} | A ^{±0.1} | G ^{-0.05} | M ^{±0.2} | Tipo-Type | €uro |
|-------------------|------------------|-------------------|-------------------|-------------------|--------------------|-------------------|-----------|------|
| KGD 32 22/A | 32 | 22 | 15.5 | 2.60 | 28.00 | 31.0 | (a) | 2,84 |
| KGD 32 22/C | 32 | 22 | 12.5 | 4.00 | 29.00 | 31.0 | (a) | 2,05 |
| KGD 32 24 | 32 | 24 | 15.5 | 3.20 | 28.00 | 31.4 | (b) | 2,84 |
| KGD 35 25 | 35 | 25 | 16.4 | 6.35 | 31.40 | 33.5 | (a) | 3,02 |
| KGD 35 25/A | 35 | 25 | 15.5 | 2.60 | 31.00 | 34.0 | (a) | 3,02 |
| KGD 40 24 | 40 | 24 | 18.4 | 6.35 | 35.40 | 38.5 | (a) | 3,19 |
| KGD 40 26 | 40 | 26 | 15.5 | 2.60 | 36.00 | 39.0 | (a) | 3,19 |
| KGD 40 30 | 40 | 30 | 16.4 | 6.35 | 35.40 | 38.5 | (a) | 3,19 |
| KGD 40 30/A | 40 | 30 | 12.5 | 4.00 | 36.00 | 38.0 | (a) | 3,19 |
| KGD 40 30/AE | 40 | 30 | 16.4 | - | - | 38.5 | (c) | 3,19 |
| KGD 40 30/B | 40 | 30 | 12.5 | 4.00 | 37.00 | 39.0 | (a) | 3,19 |
| KGD 40 32 | 40 | 32 | 15.5 | 3.20 | 36.00 | 39.4 | (b) | 3,19 |
| KGD 45 29 | 45 | 29 | 18.4 | 6.35 | 40.40 | 43.7 | (a) | 3,31 |
| KGD 45 31 | 45 | 31 | 15.5 | 2.60 | 41.00 | 44.0 | (a) | 3,31 |
| KGD 45 35 | 45 | 35 | 16.4 | 6.35 | 40.40 | 43.5 | (a) | 3,31 |
| KGD 50 34 | 50 | 34 | 18.4 | 6.35 | 45.40 | 48.5 | (a) | 3,67 |
| KGD 50 34/A | 50 | 34 | 20.5 | 3.10 | 46.00 | 49.0 | (a) | 3,67 |
| KGD 50 34/AE | 50 | 34 | 18.4 | - | - | 48.5 | (c) | 3,67 |
| KGD 50 38 | 50 | 38 | 20.5 | 4.20 | 46.00 | 49.4 | (b) | 3,67 |
| KGD 50 40 | 50 | 40 | 12.5 | 4.00 | 47.00 | 49.0 | (a) | 3,67 |
| KGD 55 39 | 55 | 39 | 18.4 | 6.35 | 50.36 | 53.5 | (a) | 3,87 |
| KGD 55 39/A | 55 | 39 | 20.5 | 3.10 | 51.00 | 54.0 | (a) | 3,87 |
| KGD 55 43 | 55 | 43 | 20.5 | 4.20 | 51.00 | 54.4 | (b) | 3,87 |
| KGD 60 44 | 60 | 44 | 18.4 | 6.35 | 55.40 | 58.5 | (a) | 4,20 |
| KGD 60 44/A | 60 | 44 | 20.5 | 3.10 | 56.00 | 59.0 | (a) | 4,20 |
| KGD 60 48 | 60 | 48 | 20.5 | 4.20 | 56.00 | 59.4 | (b) | 4,20 |
| KGD 63 47 | 63 | 47 | 18.4 | 6.35 | 58.40 | 61.5 | (a) | 4,35 |
| KGD 63 47/A | 63 | 47 | 20.5 | 3.10 | 59.00 | 62.0 | (a) | 4,35 |
| KGD 63 47/B | 63 | 47 | 19.4 | 6.35 | 58.40 | 61.5 | (a) | 4,35 |
| KGD 63 51 | 63 | 51 | 20.5 | 4.20 | 59.00 | 62.4 | (b) | 4,35 |
| KGD 65 49 | 65 | 49 | 20.5 | 3.10 | 61.00 | 64.0 | (a) | 4,49 |
| KGD 65 50 | 65 | 50 | 18.4 | 6.35 | 60.40 | 63.5 | (a) | 4,49 |
| KGD 70 50 | 70 | 50 | 22.4 | 6.35 | 64.20 | 68.3 | (a) | 4,73 |
| KGD 70 54 | 70 | 54 | 20.5 | 3.10 | 66.00 | 69.0 | (a) | 4,73 |
| KGD 70 58 | 70 | 58 | 20.5 | 4.20 | 66.00 | 69.4 | (b) | 4,73 |
| KGD 75 55 | 75 | 55 | 22.4 | 6.35 | 69.20 | 73.3 | (a) | 4,88 |
| KGD 75 59 | 75 | 59 | 20.5 | 3.10 | 71.00 | 74.0 | (a) | 5,11 |
| KGD 80 60 | 80 | 60 | 22.4 | 6.35 | 74.15 | 78.3 | (a) | 5,17 |
| KGD 80 60/C | 80 | 60 | 25.0 | 6.35 | 75.00 | 78.00 | (a) | 5,17 |
| KGD 80 62 | 80 | 62 | 22.5 | 3.60 | 76.00 | 79.0 | (a) | 5,17 |
| KGD 80 66 | 80 | 66 | 22.5 | 5.20 | 76.00 | 79.4 | (b) | 5,17 |

| Codice - Part No. | D ^{H10} | d ^{+0.1} | L ^{+0.2} | A ^{±0.1} | G ^{-0.05} | M ^{±0.2} | Tipo-Type | €uro |
|-------------------|------------------|-------------------|-------------------|-------------------|--------------------|-------------------|-----------|-------|
| KGD 85 65 | 85 | 65 | 22.4 | 6.35 | 79.15 | 83.3 | (a) | 5,50 |
| KGD 85 65/AE | 85 | 65 | 22.4 | - | - | 83.3 | (c) | 5,50 |
| KGD 90 70 | 90 | 70 | 22.4 | 6.35 | 84.15 | 88.3 | (a) | 5,97 |
| KGD 90 72 | 90 | 72 | 22.5 | 3.60 | 86.00 | 89.0 | (a) | 5,97 |
| KGD 90 76 | 90 | 76 | 22.5 | 5.20 | 86.00 | 89.4 | (b) | 5,97 |
| KGD 95 75 | 95 | 75 | 22.4 | 6.35 | 89.15 | 93.3 | (a) | 6,18 |
| KGD 100 75 | 100 | 75 | 22.4 | 6.35 | 93.15 | 98.0 | (a) | 6,68 |
| KGD 100 80 | 100 | 80 | 25.4 | 6.35 | 94.15 | 98.3 | (a) | 6,68 |
| KGD 100 80/D | 100 | 80 | 25.0 | 6.30 | 95.00 | 98.00 | (a) | 6,68 |
| KGD 100 82 | 100 | 82 | 22.5 | 3.60 | 96.00 | 99.0 | (a) | 6,68 |
| KGD 100 86 | 100 | 86 | 22.5 | 5.20 | 96.00 | 99.4 | (b) | 6,68 |
| KGD 105 80 | 105 | 80 | 22.4 | 6.35 | 98.10 | 103.0 | (a) | 6,86 |
| KGD 110 85 | 110 | 85 | 22.4 | 6.35 | 103.10 | 108.0 | (a) | 7,42 |
| KGD 110 92 | 110 | 92 | 22.5 | 3.60 | 106.00 | 109.0 | (a) | 7,42 |
| KGD 110 96 | 110 | 96 | 22.5 | 5.20 | 106.00 | 109.4 | (b) | 7,42 |
| KGD 115 90 | 115 | 90 | 22.4 | 6.35 | 108.10 | 113.0 | (a) | 7,48 |
| KGD 120 95 | 120 | 95 | 22.4 | 6.35 | 113.10 | 118.1 | (a) | 7,75 |
| KGD 120 106 | 120 | 106 | 22.5 | 5.20 | 116.00 | 119.4 | (b) | 7,54 |
| KGD 125 100 | 125 | 100 | 25.4 | 6.35 | 118.10 | 123.0 | (a) | 7,95 |
| KGD 125 103 | 125 | 103 | 26.5 | 5.10 | 121.00 | 124.0 | (a) | 7,95 |
| KGD 125 108 | 125 | 108 | 26.5 | 7.20 | 121.00 | 124.4 | (b) | 7,95 |
| KGD 130 105 | 130 | 105 | 25.4 | 9.50 | 122.60 | 127.5 | (a) | 8,84 |
| KGD 130 105/A | 130 | 105 | 25.4 | 6.35 | 123.10 | 128.0 | (a) | 8,84 |
| KGD 135 110 | 135 | 110 | 25.4 | 9.50 | 127.60 | 132.5 | (a) | 9,37 |
| KGD 135 110/A | 135 | 110 | 25.4 | 6.35 | 128.10 | 133.0 | (a) | 9,37 |
| KGD 140 115 | 140 | 115 | 25.4 | 9.50 | 132.60 | 137.5 | (a) | 9,73 |
| KGD 140 115/A | 140 | 115 | 25.4 | 6.35 | 133.00 | 138.0 | (a) | 9,73 |
| KGD 140 118 | 140 | 118 | 26.5 | 5.10 | 136.00 | 139.0 | (a) | 9,73 |
| KGD 140 123 | 140 | 123 | 26.5 | 7.20 | 136.00 | 139.4 | (b) | 9,73 |
| KGD 145 120 | 145 | 120 | 25.4 | 9.50 | 137.60 | 142.5 | (a) | 10,11 |
| KGD 145 120/A | 145 | 120 | 25.4 | 6.35 | 138.30 | 142.95 | (a) | 10,11 |
| KGD 150 125 | 150 | 125 | 25.4 | 9.50 | 142.60 | 147.5 | (a) | 10,32 |
| KGD 150 125/A | 150 | 125 | 25.4 | 6.35 | 143.00 | 148.0 | (a) | 10,32 |
| KGD 160 130 | 160 | 130 | 25.4 | 6.35 | 153.00 | 157.5 | (a) | 11,94 |
| KGD 160 130/A | 160 | 130 | 25.4 | 9.50 | 152.60 | 157.5 | (a) | 11,94 |
| KGD 160 135 | 160 | 135 | 25.4 | 9.50 | 152.60 | 157.5 | (a) | 11,50 |
| KGD 170 145 | 170 | 145 | 25.4 | 12.70 | 161.70 | 167.1 | (a) | 12,27 |
| KGD 175 150 | 175 | 150 | 25.4 | 12.70 | 166.70 | 172.1 | (a) | 12,53 |
| KGD 180 155 | 180 | 155 | 25.4 | 12.70 | 171.70 | 177.1 | (a) | 12,74 |
| KGD 185 160 | 185 | 160 | 25.4 | 12.70 | 176.70 | 182.1 | (a) | 13,24 |
| KGD 190 165 | 190 | 165 | 25.4 | 12.70 | 181.70 | 187.0 | (a) | 13,78 |

| Codice - Part No. | D ^{H10} | d ^{+0.1} | L ^{+0.2} | A ^{±0.1} | G ^{-0.05} | M ^{±0.2} | Tipo-Type | €uro |
|-------------------|------------------|-------------------|-------------------|-------------------|--------------------|-------------------|-----------|-------|
| KGD 200 175 | 200 | 175 | 25.4 | 12.70 | 191.60 | 197.0 | (a) | 17,38 |
| KGD 220 190 | 220 | 190 | 35.4 | 6.35 | 212.70 | 217.9 | (a) | 31,69 |
| KGD 220 195 | 220 | 195 | 25.4 | 12.70 | 211.60 | 217.0 | (a) | 27,20 |
| KGD 250 220 | 250 | 220 | 35.4 | 6.35 | 242.90 | 247.9 | (a) | 39,02 |
| KGD 250 225 | 250 | 225 | 25.4 | 12.70 | 241.60 | 247.0 | (a) | 33,46 |

Misure in pollici - Inch sizes

| | | | | | | | | |
|---------------|--------|-------|-------|------|-------|-------|-----|------|
| KGD 2000 1375 | 50.80 | 34.92 | 19.05 | 6.35 | 46.23 | 49.48 | (a) | 3,70 |
| KGD 2000 1625 | 50.80 | 41.27 | 11.10 | 3.81 | 46.27 | 49.19 | (a) | 3,70 |
| KGD 2375 1750 | 60.33 | 44.45 | 19.05 | 6.35 | 55.73 | 58.98 | (a) | 4,20 |
| KGD 2500 1875 | 63.50 | 47.62 | 19.05 | 6.35 | 58.90 | 62.12 | (a) | 4,35 |
| KGD 2500 2125 | 63.50 | 53.97 | 11.10 | 3.81 | 59.00 | 62.12 | (a) | 4,35 |
| KGD 3000 2250 | 76.20 | 57.15 | 23.79 | 6.35 | 70.40 | 74.50 | (a) | 4,88 |
| KGD 3500 2750 | 88.90 | 69.85 | 23.79 | 6.35 | 83.08 | 87.22 | (a) | 5,97 |
| KGD 4000 3250 | 101.60 | 82.55 | 23.79 | 6.35 | 95.78 | 99.92 | (a) | 6,86 |

YB TENUTA PISTONE A DOPPIO EFFETTO
 DOUBLE ACTING PISTON SEAL


| Codice - Part No. | D ^{H9} | d ^{h9} | L ^{+0.2} | OR | €uro |
|-------------------|-----------------|-----------------|-------------------|-----|------|
| YB 8 3.1 2.2 | 8 | 3.1 | 2.2 | 006 | * |
| YB 10 5.1 2.2 | 10 | 5.1 | 2.2 | 009 | * |
| YB 12 7.1 2.2 | 12 | 7.1 | 2.2 | 011 | * |
| YB 15 7.5 3.2 | 15 | 7.5 | 3.2 | 109 | * |
| YB 16 8.5 3.2 | 16 | 8.5 | 3.2 | 109 | * |

* a richiesta - on request

| Codice - Part No. | D ^{H9} | d ^{h9} | L ^{+0.2} | OR | €uro |
|-------------------|-----------------|-----------------|-------------------|-----|------|
| YB 18 10.5 3.2 | 18 | 10.5 | 3.2 | 110 | * |
| YB 20 12.5 3.2 | 20 | 12.5 | 3.2 | 111 | * |
| YB 22 14.5 3.2 | 22 | 14.5 | 3.2 | 113 | * |
| YB 24 16.5 3.2 | 24 | 16.5 | 3.2 | 809 | * |
| YB 25 17.5 3.2 | 25 | 17.5 | 3.2 | 115 | * |
| YB 28 20.5 3.2 | 28 | 20.5 | 3.2 | 117 | * |
| YB 30 22.5 3.2 | 30 | 22.5 | 3.2 | 118 | * |
| YB 32 24.5 3.2 | 32 | 24.5 | 3.2 | 119 | * |
| YB 35 27.5 3.2 | 35 | 27.5 | 3.2 | 121 | * |
| YB 36 28.5 3.2 | 36 | 28.5 | 3.2 | 122 | * |
| YB 38 30.5 3.2 | 38 | 30.5 | 3.2 | 123 | * |
| YB 39 31.5 3.2 | 39 | 31.5 | 3.2 | 124 | * |
| YB 40 29 4.2 | 40 | 29.0 | 4.2 | 216 | * |
| YB 42 31 4.2 | 42 | 31.0 | 4.2 | 217 | * |
| YB 45 34 4.2 | 45 | 34.0 | 4.2 | 219 | * |
| YB 48 37 4.2 | 48 | 37.0 | 4.2 | 221 | * |
| YB 50 39 4.2 | 50 | 39.0 | 4.2 | 222 | * |
| YB 52 41 4.2 | 52 | 41.0 | 4.2 | 223 | * |
| YB 55 44 4.2 | 55 | 44.0 | 4.2 | 224 | * |
| YB 57 46 4.2 | 57 | 46.0 | 4.2 | 827 | * |
| YB 60 49 4.2 | 60 | 49.0 | 4.2 | 225 | * |
| YB 63 52 4.2 | 63 | 52.0 | 4.2 | 226 | * |

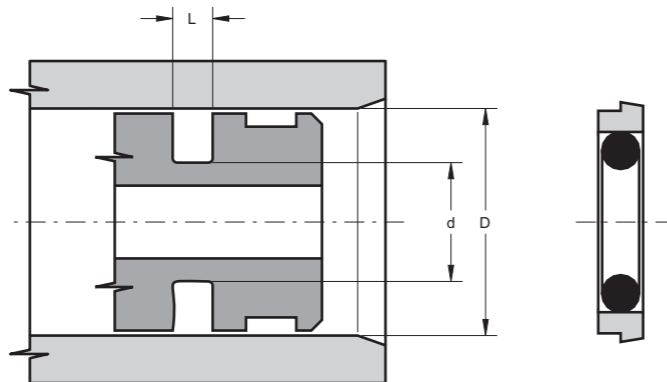
* a richiesta - on request

| Codice - Part No. | D ^{H9} | d ^{h9} | L ^{+0.2} | OR | €uro |
|-------------------|-----------------|-----------------|-------------------|-----|------|
| YB 64 53 4.2 | 64 | 53.0 | 4.2 | 226 | * |
| YB 65 54 4.2 | 65 | 54.0 | 4.2 | 227 | * |
| YB 70 59 4.2 | 70 | 59.0 | 4.2 | 228 | * |
| YB 75 64 4.2 | 75 | 64.0 | 4.2 | 230 | * |
| YB 80 64.5 6.3 | 80 | 64.5 | 6.3 | 333 | * |
| YB 85 69.5 6.3 | 85 | 69.5 | 6.3 | 335 | * |
| YB 89 73.5 6.3 | 89 | 73.5 | 6.3 | 336 | * |
| YB 90 74.5 6.3 | 90 | 74.5 | 6.3 | 336 | * |
| YB 95 79.5 6.3 | 95 | 79.5 | 6.3 | 338 | * |
| YB 100 84.5 6.3 | 100 | 84.5 | 6.3 | 339 | * |
| YB 105 89.5 6.3 | 105 | 89.5 | 6.3 | 341 | * |
| YB 110 94.5 6.3 | 110 | 94.5 | 6.3 | 343 | * |
| YB 115 99.5 6.3 | 115 | 99.5 | 6.3 | 344 | * |
| YB 120 104.5 6.3 | 120 | 104.5 | 6.3 | 346 | * |
| YB 125 109.5 6.3 | 125 | 109.5 | 6.3 | 347 | * |
| YB 130 114.5 6.3 | 130 | 114.5 | 6.3 | 349 | * |
| YB 132 116.5 6.3 | 132 | 116.5 | 6.3 | 350 | * |
| YB 133 112 8.1 | 133 | 112.0 | 8.1 | 425 | * |
| YB 135 114 8.1 | 135 | 114.0 | 8.1 | 425 | * |
| YB 140 119 8.1 | 140 | 119.0 | 8.1 | 426 | * |
| YB 145 124 8.1 | 145 | 124.0 | 8.1 | 428 | * |
| YB 150 129 8.1 | 150 | 129.0 | 8.1 | 429 | * |
| YB 154 133 8.1 | 154 | 133.0 | 8.1 | 431 | * |
| YB 155 134 8.1 | 155 | 134.0 | 8.1 | 431 | * |
| YB 160 139 8.1 | 160 | 139.0 | 8.1 | 433 | * |
| YB 165 144 8.1 | 165 | 144.0 | 8.1 | 434 | * |
| YB 170 149 8.1 | 170 | 149.0 | 8.1 | 436 | * |
| YB 175 154 8.1 | 175 | 154.0 | 8.1 | 437 | * |
| YB 180 159 8.1 | 180 | 159.0 | 8.1 | 438 | * |
| YB 185 164 8.1 | 185 | 164.0 | 8.1 | 874 | * |
| YB 190 169 8.1 | 190 | 169.0 | 8.1 | 439 | * |
| YB 200 179 8.1 | 200 | 179.0 | 8.1 | 441 | * |
| YB 210 189 8.1 | 210 | 189.0 | 8.1 | 442 | * |
| YB 220 199 8.1 | 220 | 199.0 | 8.1 | 444 | * |
| YB 230 209 8.1 | 230 | 209.0 | 8.1 | 445 | * |
| YB 240 219 8.1 | 240 | 219.0 | 8.1 | 446 | * |
| YB 250 229 8.1 | 250 | 229.0 | 8.1 | 447 | * |
| YB 260 239 8.1 | 260 | 239.0 | 8.1 | 447 | * |
| YB 270 249 8.1 | 270 | 249.0 | 8.1 | 448 | * |
| YB 280 259 8.1 | 280 | 259.0 | 8.1 | 449 | * |

* a richiesta - on request

| Codice - Part No. | D ^{H9} | d ^{h9} | L ^{+0.2} | OR | €uro |
|-------------------|-----------------|-----------------|-------------------|-----|------|
| YB 290 269 8.1 | 290 | 269.0 | 8.1 | 450 | * |
| YB 300 279 8.1 | 300 | 279.0 | 8.1 | 451 | * |

YAB TENUTA PISTONE A SEMPLICE EFFETTO SINGLE ACTING PISTON SEAL



| Codice - Part No. | D ^{H9} | d ^{h9} | L ^{+0.2} | OR | €uro |
|-------------------|-----------------|-----------------|-------------------|-----|------|
| YAB 8 3.1 2.2 | 8 | 3.1 | 2.2 | 006 | * |
| YAB 10 5.1 2.2 | 10 | 5.1 | 2.2 | 009 | * |
| YAB 12 7.1 2.2 | 12 | 7.1 | 2.2 | 011 | * |
| YAB 15 10.1 2.2 | 15 | 10.1 | 2.2 | 012 | * |
| YAB 16 11.1 2.2 | 16 | 11.1 | 2.2 | 013 | * |
| YAB 18 10.7 3.2 | 18 | 10.7 | 3.2 | 111 | * |
| YAB 20 12.7 3.2 | 20 | 12.7 | 3.2 | 112 | * |
| YAB 22 14.7 3.2 | 22 | 14.7 | 3.2 | 113 | * |
| YAB 24 16.7 3.2 | 24 | 16.7 | 3.2 | 809 | * |
| YAB 25 17.7 3.2 | 25 | 17.7 | 3.2 | 115 | * |
| YAB 28 17.3 4.2 | 28 | 17.3 | 4.2 | 209 | * |
| YAB 30 19.3 4.2 | 30 | 19.3 | 4.2 | 210 | * |
| YAB 32 21.3 4.2 | 32 | 21.3 | 4.2 | 211 | * |
| YAB 35 24.3 4.2 | 35 | 24.3 | 4.2 | 213 | * |
| YAB 36 25.3 4.2 | 36 | 25.3 | 4.2 | 214 | * |
| YAB 38 27.3 4.2 | 38 | 27.3 | 4.2 | 215 | * |
| YAB 39 28.3 4.2 | 39 | 28.3 | 4.2 | 215 | * |
| YAB 40 29.3 4.2 | 40 | 29.3 | 4.2 | 216 | * |
| YAB 42 31.3 4.2 | 42 | 31.3 | 4.2 | 217 | * |

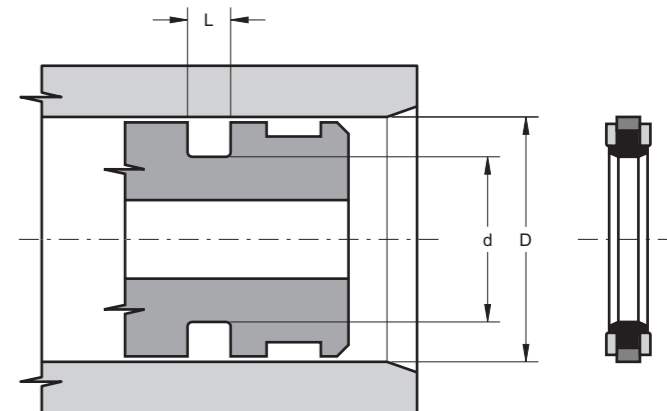
* a richiesta - on request

| Codice - Part No. | D ^{H9} | d ^{h9} | L ^{+0.2} | OR | €uro |
|-------------------|-----------------|-----------------|-------------------|-----|------|
| YAB 45 34.3 4.2 | 45 | 34.3 | 4.2 | 219 | * |
| YAB 48 37.3 4.2 | 48 | 37.3 | 4.2 | 221 | * |
| YAB 50 39.3 4.2 | 50 | 39.3 | 4.2 | 222 | * |
| YAB 52 41.3 4.2 | 52 | 41.3 | 4.2 | 223 | * |
| YAB 55 44.3 4.2 | 55 | 44.3 | 4.2 | 224 | * |
| YAB 57 46.3 4.2 | 57 | 46.3 | 4.2 | 828 | * |
| YAB 60 44.9 6.3 | 60 | 44.9 | 6.3 | 327 | * |
| YAB 63 47.9 6.3 | 63 | 47.9 | 6.3 | 328 | * |
| YAB 64 48.9 6.3 | 64 | 48.9 | 6.3 | 328 | * |
| YAB 65 49.9 6.3 | 65 | 49.9 | 6.3 | 328 | * |
| YAB 70 54.9 6.3 | 70 | 54.9 | 6.3 | 330 | * |
| YAB 75 59.9 6.3 | 75 | 59.9 | 6.3 | 332 | * |
| YAB 80 64.9 6.3 | 80 | 64.9 | 6.3 | 333 | * |
| YAB 85 69.9 6.3 | 85 | 69.9 | 6.3 | 335 | * |
| YAB 89 73.9 6.3 | 89 | 73.9 | 6.3 | 336 | * |
| YAB 90 74.9 6.3 | 90 | 74.9 | 6.3 | 336 | * |
| YAB 95 79.9 6.3 | 95 | 79.9 | 6.3 | 337 | * |
| YAB 100 84.9 6.3 | 100 | 84.9 | 6.3 | 340 | * |
| YAB 105 89.9 6.3 | 105 | 89.9 | 6.3 | 341 | * |
| YAB 110 94.9 6.3 | 110 | 94.9 | 6.3 | 343 | * |
| YAB 115 99.9 6.3 | 115 | 99.9 | 6.3 | 344 | * |
| YAB 120 104.9 6.3 | 120 | 104.9 | 6.3 | 346 | * |
| YAB 125 109.9 6.3 | 125 | 109.9 | 6.3 | 347 | * |
| YAB 130 114.9 6.3 | 130 | 114.9 | 6.3 | 349 | * |
| YAB 132 116.9 6.3 | 132 | 116.9 | 6.3 | 349 | * |
| YAB 133 117.9 6.3 | 133 | 117.9 | 6.3 | 350 | * |
| YAB 135 119.9 6.3 | 135 | 119.9 | 6.3 | 351 | * |
| YAB 140 124.9 6.3 | 140 | 124.9 | 6.3 | 352 | * |
| YAB 145 129.9 6.3 | 145 | 129.9 | 6.3 | 353 | * |
| YAB 150 134.9 6.3 | 150 | 134.9 | 6.3 | 355 | * |
| YAB 154 138.9 6.3 | 154 | 138.9 | 6.3 | 356 | * |
| YAB 155 139.9 6.3 | 155 | 139.9 | 6.3 | 356 | * |
| YAB 160 144.9 6.3 | 160 | 144.9 | 6.3 | 358 | * |
| YAB 165 149.9 6.3 | 165 | 149.9 | 6.3 | 360 | * |
| YAB 170 154.9 6.3 | 170 | 154.9 | 6.3 | 361 | * |
| YAB 175 159.9 6.3 | 175 | 159.9 | 6.3 | 362 | * |
| YAB 180 164.9 6.3 | 180 | 164.9 | 6.3 | 363 | * |
| YAB 185 169.9 6.3 | 185 | 169.9 | 6.3 | 363 | * |
| YAB 190 174.9 6.3 | 190 | 174.9 | 6.3 | 364 | * |

* a richiesta - on request

| Codice - Part No. | D ^{H9} | d ^{h9} | L ^{+0.2} | OR | €uro |
|-------------------|-----------------|-----------------|-------------------|-----|------|
| YAB 200 179.5 8.1 | 200 | 179.5 | 8.1 | 441 | * |
| YAB 210 189.5 8.1 | 210 | 189.5 | 8.1 | 443 | * |
| YAB 220 199.5 8.1 | 220 | 199.5 | 8.1 | 444 | * |
| YAB 230 209.5 8.1 | 230 | 209.5 | 8.1 | 445 | * |
| YAB 240 219.5 8.1 | 240 | 219.5 | 8.1 | 446 | * |
| YAB 250 229.5 8.1 | 250 | 229.5 | 8.1 | 447 | * |
| YAB 260 236 8.1 | 260 | 236.0 | 8.1 | 447 | * |
| YAB 270 246 8.1 | 270 | 246.0 | 8.1 | 448 | * |
| YAB 280 256 8.1 | 280 | 256.0 | 8.1 | 449 | * |
| YAB 290 266 8.1 | 290 | 266.0 | 8.1 | 449 | * |
| YAB 300 276 8.1 | 300 | 276.0 | 8.1 | 451 | * |

KHD TENUTA PISTONE A DOPPIO EFFETTO DOUBLE ACTING PISTON SEAL

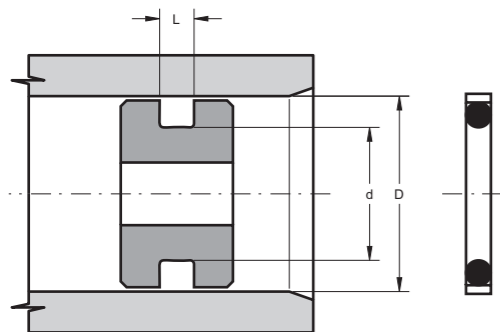


| Codice - Part No. | D ^{H9} | d ^{±0.1} | L ^{+0.2} | €uro |
|-------------------|-----------------|-------------------|-------------------|-------|
| KHD 50 36 9 | 50 | 36 | 9 | 5,13 |
| KHD 60 46 9 | 60 | 46 | 9 | 6,41 |
| KHD 65 50 11 | 65 | 50 | 11 | 7,05 |
| KHD 70 55 11 | 70 | 55 | 11 | 7,69 |
| KHD 75 60 11 | 75 | 60 | 11 | 8,33 |
| KHD 80 65 11 | 80 | 65 | 11 | 8,97 |
| KHD 85 70 11 | 85 | 70 | 11 | 9,61 |
| KHD 90 75 11 | 90 | 75 | 11 | 10,24 |
| KHD 95 80 11 | 95 | 80 | 11 | 10,88 |
| KHD 100 85 12.5 | 100 | 85 | 12.5 | 11,52 |

* a richiesta - on request

| Codice - Part No. | D ^{H9} | d ^{+0.1} | L ^{+0.2} | €uro |
|-------------------|-----------------|-------------------|-------------------|-------|
| KHD 105 90 12.5 | 105 | 90 | 12.5 | 12,16 |
| KHD 110 95 12.5 | 110 | 95 | 12.5 | 12,80 |
| KHD 115 100 12.5 | 115 | 100 | 12.5 | 13,44 |
| KHD 120 105 12.5 | 120 | 105 | 12.5 | 14,08 |
| KHD 125 102 16 | 125 | 102 | 16 | 15,69 |
| KHD 130 107 16 | 130 | 107 | 16 | 18,88 |
| KHD 135 112 16 | 135 | 112 | 16 | 22,08 |
| KHD 140 117 16 | 140 | 117 | 16 | 25,28 |
| KHD 145 122 16 | 145 | 122 | 16 | 28,47 |
| KHD 150 127 16 | 150 | 127 | 16 | 31,67 |
| KHD 160 137 16 | 160 | 137 | 16 | 38,06 |
| KHD 165 142 16 | 165 | 142 | 16 | 41,26 |
| KHD 170 147 16 | 170 | 147 | 16 | 44,45 |
| KHD 180 157 16 | 180 | 157 | 16 | 50,85 |
| KHD 185 162 16 | 185 | 162 | 16 | 54,04 |
| KHD 200 177 16 | 200 | 177 | 16 | 63,63 |

YL TENUTA PISTONE A DOPPIO EFFETTO DOUBLE ACTING PISTON SEAL



| Codice - Part No. | D ^{H8} | d ^{H9} | L ^{+0.2} | OR | €uro |
|-------------------|-----------------|-----------------|-------------------|-----|------|
| YL 007-8 | 8 | 3.4 | 2 | 007 | * |
| YL 008-9 | 9 | 4.4 | 2 | 008 | * |
| YL 009-10 | 10 | 5.5 | 2 | 009 | * |
| YL 010-11 | 11 | 6.5 | 2 | 010 | * |
| YL 011-12 | 12 | 7.4 | 2 | 011 | * |
| YL 012-14 | 14 | 9.5 | 2 | 012 | * |
| YL 013-15 | 15 | 10.4 | 2 | 013 | * |

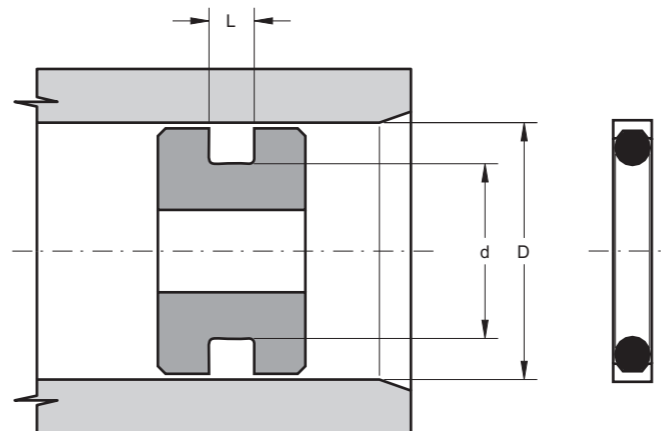
* a richiesta - on request

| Codice - Part No. | D ^{H8} | d ^{H9} | L ^{+0.2} | OR | €uro |
|-------------------|-----------------|-----------------|-------------------|-----|------|
| YL 613-16 | 16 | 9.8 | 3 | 613 | * |
| YL 111-17 | 17 | 10.8 | 3 | 111 | * |
| YL 614-18 | 18 | 11.8 | 3 | 614 | * |
| YL 113-20 | 20 | 13.8 | 3 | 113 | * |
| YL 114-22 | 22 | 15.8 | 3 | 114 | * |
| YL 116-25 | 25 | 18.8 | 3 | 116 | * |
| YL 211-28 | 28 | 20.0 | 4 | 211 | * |
| YL 212-30 | 30 | 22.0 | 4 | 212 | * |
| YL 213-32 | 32 | 24.0 | 4 | 213 | * |
| YL 215-35 | 35 | 27.0 | 4 | 215 | * |
| YL 216-36 | 36 | 28.0 | 4 | 216 | * |
| YL 217-38 | 38 | 30.0 | 4 | 217 | * |
| YL 218-40 | 40 | 32.0 | 4 | 218 | * |
| YL 219-42 | 42 | 34.0 | 4 | 219 | * |
| YL 221-45 | 45 | 37.0 | 4 | 221 | * |
| YL 824-48 | 48 | 40.0 | 4 | 824 | * |
| YL 325-50 | 50 | 38.3 | 6 | 325 | * |
| YL 326-55 | 55 | 43.5 | 6 | 326 | * |
| YL 327-56 | 56 | 44.3 | 6 | 327 | * |
| YL 328-60 | 60 | 48.3 | 6 | 328 | * |
| YL 329-63 | 63 | 51.3 | 6 | 329 | * |
| YL 330-65 | 65 | 53.3 | 6 | 330 | * |
| YL 331-70 | 70 | 58.4 | 6 | 331 | * |
| YL 333-75 | 75 | 62.9 | 6 | 333 | * |
| YL 334-80 | 80 | 68.0 | 6 | 334 | * |
| YL 336-85 | 85 | 72.9 | 6 | 336 | * |
| YL 337-90 | 90 | 78.0 | 6 | 337 | * |
| YL 339-95 | 95 | 82.9 | 6 | 339 | * |
| YL 340-100 | 100 | 88.0 | 6 | 340 | * |
| YL 344-110 | 110 | 97.9 | 6 | 344 | * |
| YL 347-120 | 120 | 107.9 | 6 | 347 | * |
| YL 348-125 | 125 | 112.5 | 6 | 348 | * |
| YL 860-130 | 130 | 117.5 | 6 | 860 | * |
| YL 428-140 | 140 | 124.5 | 8 | 428 | * |
| YL 431-150 | 150 | 134.5 | 8 | 431 | * |
| YL 434-160 | 160 | 144.5 | 8 | 434 | * |
| YL 437-170 | 170 | 153.7 | 8 | 437 | * |
| YL 874-180 | 180 | 163.7 | 8 | 874 | * |
| YL 440-190 | 190 | 173.7 | 8 | 440 | * |
| YL 442-200 | 200 | 183.7 | 8 | 442 | * |

* a richiesta - on request

| Codice - Part No. | D ^{H8} | d ^{H9} | L ^{+0.2} | OR | €uro |
|-------------------|-----------------|-----------------|-------------------|-----|------|
| YL 678-250 | 250 | 233.7 | 8 | 678 | * |
| YL 682-280 | 280 | 263.7 | 8 | 682 | * |
| YL 451-300 | 300 | 283.7 | 8 | 451 | * |

YP TENUTA PISTONE A DOPPIO EFFETTO DOUBLE ACTING PISTON SEAL



| Codice - Part No. | D ^{H8} | d ^{H9} | L ^{+0.2} | OR | €uro |
|-------------------|-----------------|-----------------|-------------------|-----|------|
| YP 004-6 | 6 | 2.8 | 2.5 | 004 | * |
| YP 006-7 | 7 | 3.7 | 2.5 | 006 | * |
| YP 008-8 | 8 | 4.7 | 2.5 | 008 | * |
| YP 009-9 | 9 | 5.7 | 2.5 | 009 | * |
| YP 010-10 | 10 | 6.8 | 2.5 | 010 | * |
| YP 011-11 | 11 | 7.6 | 2.5 | 011 | * |
| YP 012-13 | 13 | 9.7 | 2.5 | 012 | * |
| YP 110-15 | 15 | 10.1 | 3.5 | 110 | * |
| YP 111-16 | 16 | 10.9 | 3.5 | 111 | * |
| YP 112-18 | 18 | 13.1 | 3.5 | 112 | * |
| YP 113-20 | 20 | 14.7 | 3.5 | 113 | * |
| YP 114-21 | 21 | 15.9 | 3.5 | 114 | * |
| YP 115-22 | 22 | 16.6 | 3.5 | 115 | * |
| YP 116-25 | 25 | 19.8 | 3.5 | 116 | * |
| YP 210-26 | 26 | 19.1 | 4.5 | 210 | * |
| YP 211-28 | 28 | 21.2 | 4.5 | 211 | * |
| YP 212-29 | 29 | 22.0 | 4.5 | 212 | * |

* a richiesta - on request

| Codice - Part No. | D ^{H8} | d ^{H9} | L ^{+0.2} | OR | €uro |
|-------------------|-----------------|-----------------|-------------------|-----|------|
| YP 213-30 | 30 | 22.9 | 4.5 | 213 | * |
| YP 214-32 | 32 | 25.0 | 4.5 | 214 | * |
| YP 215-34 | 34 | 27.0 | 4.5 | 215 | * |
| YP 216-35 | 35 | 28.0 | 4.5 | 216 | * |
| YP 217-37 | 37 | 30.0 | 4.5 | 217 | * |
| YP 218-38 | 38 | 30.9 | 4.5 | 218 | * |
| YP 219-40 | 40 | 32.9 | 4.5 | 219 | * |
| YP 220-42 | 42 | 35.0 | 4.5 | 220 | * |
| YP 221-43 | 43 | 35.9 | 4.5 | 221 | * |
| YP 222-45 | 45 | 37.9 | 4.5 | 222 | * |
| YP 325-50 | 50 | 39.6 | 7.0 | 325 | * |
| YP 326-52 | 52 | 41.8 | 7.0 | 326 | * |
| YP 327-55 | 55 | 44.7 | 7.0 | 327 | * |
| YP 328-58 | 58 | 47.7 | 7.0 | 328 | * |
| YP 329-61 | 61 | 50.5 | 7.0 | 329 | * |
| YP 330-65 | 65 | 54.7 | 7.0 | 330 | * |
| YP 331-68 | 68 | 57.7 | 7.0 | 331 | * |
| YP 332-70 | 70 | 59.5 | 7.0 | 332 | * |
| YP 333-75 | 75 | 64.5 | 7.0 | 333 | * |
| YP 334-77 | 77 | 66.6 | 7.0 | 334 | * |
| YP 335-80 | 80 | 69.6 | 7.0 | 335 | * |
| YP 336-85 | 85 | 74.5 | 7.0 | 336 | * |
| YP 337-86 | 86 | 75.5 | 7.0 | 337 | * |
| YP 338-90 | 90 | 79.5 | 7.0 | 338 | * |
| YP 339-92 | 92 | 81.5 | 7.0 | 339 | * |
| YP 340-95 | 95 | 84.5 | 7.0 | 340 | * |
| YP 341-100 | 100 | 89.6 | 7.0 | 341 | * |
| YP 342-102 | 102 | 91.5 | 7.0 | 342 | * |
| YP 343-105 | 105 | 94.5 | 7.0 | 343 | * |
| YP 344-108 | 108 | 97.5 | 7.0 | 344 | * |
| YP 345-111 | 111 | 100.6 | 7.0 | 345 | * |
| YP 346-115 | 115 | 104.5 | 7.0 | 346 | * |
| YP 347-118 | 118 | 107.5 | 7.0 | 347 | * |
| YP 348-121 | 121 | 110.5 | 7.0 | 348 | * |
| YP 349-125 | 125 | 114.5 | 7.0 | 349 | * |
| YP 425-127 | 127 | 113.3 | 9.5 | 425 | * |
| YP 426-130 | 130 | 116.3 | 9.5 | 426 | * |
| YP 427-135 | 135 | 121.3 | 9.5 | 427 | * |
| YP 428-137 | 137 | 123.3 | 9.5 | 428 | * |
| YP 429-140 | 140 | 126.3 | 9.5 | 429 | * |

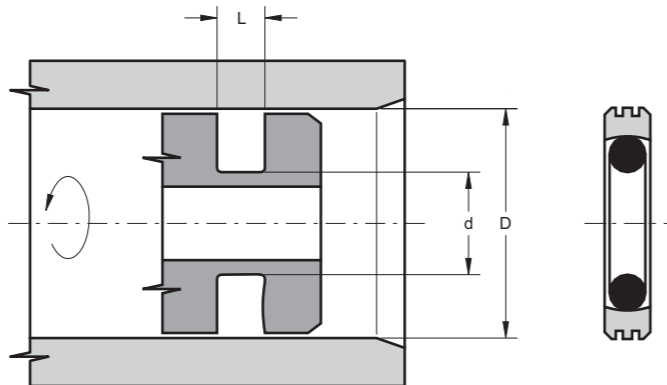
* a richiesta - on request

| Codice - Part No. | D ^{H8} | d ^{h9} | L ^{+0.2} | OR | €uro |
|-------------------|-----------------|-----------------|-------------------|-----|------|
| YP 430-143 | 143 | 129.3 | 9.5 | 430 | * |
| YP 431-146 | 146 | 132.3 | 9.5 | 431 | * |
| YP 432-150 | 150 | 136.3 | 9.5 | 432 | * |
| YP 433-153 | 153 | 139.3 | 9.5 | 433 | * |
| YP 434-156 | 156 | 142.3 | 9.5 | 434 | * |
| YP 435-160 | 160 | 146.3 | 9.5 | 435 | * |
| YP 436-162 | 162 | 148.3 | 9.5 | 436 | * |
| YP 437-165 | 165 | 151.3 | 9.5 | 437 | * |
| YP 438-172 | 172 | 158.3 | 9.5 | 438 | * |
| YP 439-178 | 178 | 164.3 | 9.5 | 439 | * |
| YP 440-184 | 184 | 170.3 | 9.5 | 440 | * |
| YP 441-191 | 191 | 177.3 | 9.5 | 441 | * |
| YP 442-197 | 197 | 183.3 | 9.5 | 442 | * |
| YP 443-203 | 203 | 189.3 | 9.5 | 443 | * |
| YP 444-210 | 210 | 196.3 | 9.5 | 444 | * |
| YP 445-216 | 216 | 202.3 | 9.5 | 445 | * |
| YP 674-222 | 222 | 208.3 | 9.5 | 674 | * |
| YP 446-230 | 230 | 216.3 | 9.5 | 446 | * |
| YP 676-235 | 235 | 221.3 | 9.5 | 676 | * |
| YP 447-242 | 242 | 228.3 | 9.5 | 447 | * |
| YP 678-250 | 250 | 236.3 | 9.5 | 678 | * |
| YP 448-255 | 255 | 241.3 | 9.5 | 448 | * |
| YP 680-260 | 260 | 246.3 | 9.5 | 680 | * |
| YP 449-270 | 270 | 256.3 | 9.5 | 449 | * |
| YP 682-275 | 275 | 261.3 | 9.5 | 682 | * |
| YP 450-280 | 280 | 266.3 | 9.5 | 450 | * |
| YP 684-286 | 286 | 272.3 | 9.5 | 684 | * |
| YP 451-295 | 295 | 281.3 | 9.5 | 451 | * |
| YP 686-300 | 300 | 286.3 | 9.5 | 686 | * |
| YP 452-305 | 305 | 291.3 | 9.5 | 452 | * |
| YP 688-315 | 315 | 301.3 | 9.5 | 688 | * |
| YP 453-320 | 320 | 306.3 | 9.5 | 453 | * |
| YP 454-330 | 330 | 316.3 | 9.5 | 454 | * |
| YP 455-345 | 345 | 331.3 | 9.5 | 455 | * |
| YP 456-355 | 355 | 341.3 | 9.5 | 456 | * |
| YP 457-370 | 370 | 356.3 | 9.5 | 457 | * |
| YP 458-380 | 380 | 366.3 | 9.5 | 458 | * |
| YP 459-395 | 395 | 381.3 | 9.5 | 459 | * |
| YP 460-410 | 410 | 396.3 | 9.5 | 460 | * |

* a richiesta - on request

YRB

TENUTA ESTERNA PER ORGANI ROTANTI
DOUBLE ACTING SEAL FOR ROTATING PISTON



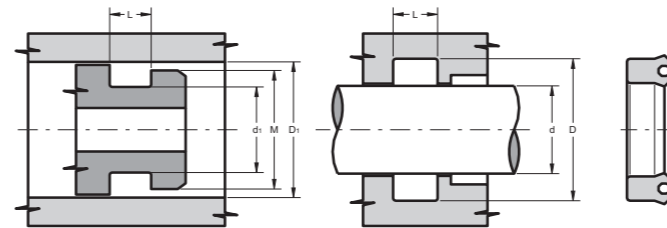
| Codice - Part No. | D ^{H10} | d ^{h9} | L ^{+0.2} | OR | €uro |
|-------------------|------------------|-----------------|-------------------|-----|------|
| YRB 8 3.1 2.2 | 8 | 3.1 | 2.2 | 006 | * |
| YRB 10 5.1 2.2 | 10 | 5.1 | 2.2 | 009 | * |
| YRB 12 7.1 2.2 | 12 | 7.1 | 2.2 | 011 | * |
| YRB 15 10.1 2.2 | 15 | 10.1 | 2.2 | 012 | * |
| YRB 16 11.1 2.2 | 16 | 11.1 | 2.2 | 013 | * |
| YRB 18 13.1 2.2 | 18 | 13.1 | 2.2 | 014 | * |
| YRB 20 15.1 2.2 | 20 | 15.1 | 2.2 | 016 | * |
| YRB 22 17.1 2.2 | 22 | 17.1 | 2.2 | 017 | * |
| YRB 25 20.1 2.2 | 25 | 20.1 | 2.2 | 019 | * |
| YRB 28 23.1 2.2 | 28 | 23.1 | 2.2 | 021 | * |
| YRB 30 25.1 2.2 | 30 | 25.1 | 2.2 | 022 | * |
| YRB 32 27.1 2.2 | 32 | 27.1 | 2.2 | 023 | * |
| YRB 35 30.1 2.2 | 35 | 30.1 | 2.2 | 025 | * |
| YRB 38 33.1 2.2 | 38 | 33.1 | 2.2 | 027 | * |
| YRB 40 32.5 3.2 | 40 | 32.5 | 3.2 | 125 | * |
| YRB 42 34.5 3.2 | 42 | 34.5 | 3.2 | 126 | * |
| YRB 45 37.5 3.2 | 45 | 37.5 | 3.2 | 128 | * |
| YRB 48 40.5 3.2 | 48 | 40.5 | 3.2 | 130 | * |
| YRB 50 42.5 3.2 | 50 | 42.5 | 3.2 | 131 | * |
| YRB 55 47.5 3.2 | 55 | 47.5 | 3.2 | 134 | * |
| YRB 60 52.5 3.2 | 60 | 52.5 | 3.2 | 137 | * |
| YRB 63 55.5 3.2 | 63 | 55.5 | 3.2 | 139 | * |
| YRB 65 57.5 3.2 | 65 | 57.5 | 3.2 | 140 | * |
| YRB 70 62.5 3.2 | 70 | 62.5 | 3.2 | 144 | * |

* a richiesta - on request

| Codice - Part No. | D ^{H10} | d ^{h9} | L ^{+0.2} | OR | €uro |
|-------------------|------------------|-----------------|-------------------|-----|------|
| YRB 75 67.5 3.2 | 75 | 67.5 | 3.2 | 147 | * |
| YRB 80 69 4.2 | 80 | 69.0 | 4.2 | 232 | * |
| YRB 85 74 4.2 | 85 | 74.0 | 4.2 | 845 | * |
| YRB 90 79 4.2 | 90 | 79.0 | 4.2 | 235 | * |
| YRB 95 84 4.2 | 95 | 84.0 | 4.2 | 236 | * |
| YRB 100 89 4.2 | 100 | 89.0 | 4.2 | 238 | * |
| YRB 105 94 4.2 | 105 | 94.0 | 4.2 | 240 | * |
| YRB 110 99 4.2 | 110 | 99.0 | 4.2 | 241 | * |
| YRB 115 104 4.2 | 115 | 104.0 | 4.2 | 243 | * |
| YRB 120 109 4.2 | 120 | 109.0 | 4.2 | 244 | * |
| YRB 125 114 4.2 | 125 | 114.0 | 4.2 | 246 | * |
| YRB 130 119 4.2 | 130 | 119.0 | 4.2 | 247 | * |
| YRB 140 125.5 6.3 | 140 | 124.5 | 6.3 | 352 | * |
| YRB 150 134.5 6.3 | 150 | 134.5 | 6.3 | 355 | * |
| YRB 160 144.5 6.3 | 160 | 144.5 | 6.3 | 358 | * |
| YRB 170 154.5 6.3 | 170 | 154.5 | 6.3 | 361 | * |
| YRB 180 164.5 6.3 | 180 | 164.5 | 6.3 | 363 | * |
| YRB 190 174.5 6.3 | 190 | 174.5 | 6.3 | 364 | * |
| YRB 200 184.5 6.3 | 200 | 184.5 | 6.3 | 366 | * |
| YRB 210 194.5 6.3 | 210 | 194.5 | 6.3 | 367 | * |
| YRB 220 204.5 6.3 | 220 | 204.5 | 6.3 | 369 | * |
| YRB 240 224.5 6.3 | 240 | 224.5 | 6.3 | 372 | * |
| YRB 250 234.5 6.3 | 250 | 234.5 | 6.3 | 374 | * |
| YRB 280 264.5 6.3 | 280 | 264.5 | 6.3 | 377 | * |
| YRB 300 284.5 6.3 | 300 | 284.5 | 6.3 | 379 | * |

UP

TENUTA STELO E PISTONE A LABBRI SIMMETRICI
ROD AND PISTON SEAL WITH SYMMETRIC LIPS



| Codice - Part No. | d ₁ ^{H8} d ^{H7} | D ₁ ^{H10} D ^{H10} | L +0.25 | M | €uro |
|-------------------|--|--|---------|---|------|
| UP 3 8 4 | 3 | 8 | 4.0 | 5 | 0,67 |
| UP 3 9 4.5 | 3 | 9 | 5.0 | 5 | 0,67 |
| UP 4 10 4 | 4 | 10 | 4.5 | 6 | 0,74 |

* a richiesta - on request

| Codice - Part No. | d ₁ ^{H8} d ^{H7} | D ₁ ^{H10} D ^{H10} | L +0.25 | M | €uro |
|-------------------|--|--|---------|----|------|
| UP 4 10 4.5 | 4 | 10 | 5.0 | 6 | 0,74 |
| UP 5 12 5 | 5 | 12 | 5.5 | 7 | 0,77 |
| UP 5 12 6 | 5 | 12 | 7.0 | 7 | 0,77 |
| UP 5 17 9 | 5 | 17 | 10.0 | 11 | 0,80 |
| UP 6 12 4 | 6 | 12 | 4.5 | 8 | 0,77 |
| UP 6 12 5.2 | 6 | 12 | 5.7 | 8 | 0,77 |
| UP 6 12 5.5 | 6 | 12 | 6.0 | 8 | 0,77 |
| UP 6 12 6 | 6 | 12 | 7.0 | 8 | 0,77 |
| UP 6 15 8 | 6 | 15 | 9.0 | 9 | 0,80 |
| UP 7 14 3.5 | 7 | 14 | 4.2 | 9 | 0,80 |
| UP 8 12 2.4 | 8 | 12 | 3.5 | 10 | 0,74 |
| UP 8 14 6 | 8 | 14 | 7.0 | 10 | 0,80 |
| UP 8 15 5.8 | 8 | 15 | 6.3 | 10 | 0,80 |
| UP 8 15 8 | 8 | 15 | 9.0 | 10 | 0,80 |
| UP 8 16 5.8 | 8 | 16 | 6.3 | 10 | 0,86 |
| UP 8 18 9 | 8 | 18 | 10.0 | 11 | 0,95 |
| UP 8.4 16 5.8 | 8.4 | 16 | 6.3 | 10 | 0,86 |
| UP 10 16 4 | 10 | 16 | 4.5 | 12 | 0,92 |
| UP 10 16 5.6 | 10 | 16 | 6.2 | 12 | 0,92 |
| UP 10 16 6 | 10 | 16 | 7.0 | 12 | 0,92 |
| UP 10 18 5 | 10 | 18 | 6.0 | 12 | 0,98 |
| UP 10 18 6 | 10 | 18 | 7.0 | 12 | 0,98 |
| UP 10 18 8 | 10 | 18 | 9.0 | 12 | 0,98 |
| UP 10 20 8 | 10 | 20 | 9.0 | 12 | 1,03 |
| UP 10 22 8 | 10 | 22 | 9.0 | 13 | 1,06 |
| UP 12 18 6 | 12 | 18 | 7.0 | 14 | 1,06 |
| UP 12 20 8 | 12 | 20 | 9.0 | 14 | 1,09 |
| UP 12 22 5 | 12 | 22 | 6.0 | 15 | 1,06 |
| UP 12 22 7 | 12 | 22 | 8.0 | 15 | 1,06 |
| UP 12 22 8 | 12 | 22 | 9.0 | 15 | 1,06 |
| UP 12 24 8 | 12 | 24 | 9.0 | 15 | 1,12 |
| UP 14 20 4.8 | 14 | 20 | 5.3 | 16 | 1,01 |
| UP 14 22 6 | 14 | 22 | 7.0 | 16 | 1,06 |
| UP 14 24 8 | 14 | 24 | 9.0 | 16 | 1,15 |
| UP 14 27 7 | 14 | 27 | 8.0 | 17 | 1,27 |
| UP 15 25 8 | 15 | 25 | 9.0 | 18 | 1,15 |
| UP 15 25 10 | 15 | 25 | 11.0 | 18 | 1,15 |
| UP 16 22 4 | 16 | 22 | 4.5 | 18 | 1,06 |
| UP 16 22 5 | 16 | 22 | 5.5 | 18 | 1,06 |
| UP 16 24 5 | 16 | 24 | 6.0 | 18 | 1,15 |
| UP 16 24 9 | 16 | 24 | 10.0 | 18 | 1,27 |
| UP 16 26 5 | 16 | 26 | 6.0 | 19 | 1,27 |



| Codice - Part No. | d ₁ ¹⁸ d ¹⁷ | D ₁ ^{H10} D _{H10} | L +0.25 | M | €uro |
|-------------------|--|---|---------|----|------|
| UP 16 26 8 | 16 | 26 | 9.0 | 19 | 1,27 |
| UP 16 28 6 | 16 | 28 | 7.0 | 19 | 1,27 |
| UP 17 25 10 | 17 | 25 | 11.0 | 19 | 1,27 |
| UP 17 27 6.5 | 17 | 27 | 7.5 | 20 | 1,27 |
| UP 18 25 5 | 18 | 25 | 5.5 | 20 | 1,27 |
| UP 18 26 6.5 | 18 | 26 | 7.5 | 20 | 1,27 |
| UP 18 26 8 | 18 | 26 | 9.0 | 20 | 1,27 |
| UP 18 26 8.5 | 18 | 26 | 9.5 | 20 | 1,27 |
| UP 18 28 8 | 18 | 28 | 9.0 | 21 | 1,27 |
| UP 18 30 8 | 18 | 30 | 9.0 | 21 | 1,33 |
| UP 19 25 6 | 19 | 25 | 7.0 | 21 | 1,12 |
| UP 20 28 4 | 20 | 28 | 5.0 | 22 | 1,27 |
| UP 20 28 5 | 20 | 28 | 5.5 | 22 | 1,27 |
| UP 20 28 8 | 20 | 28 | 9.0 | 22 | 1,27 |
| UP 20 29 5 | 20 | 29 | 5.5 | 22 | 1,30 |
| UP 20 30 8 | 20 | 30 | 9.0 | 23 | 1,36 |
| UP 20 30 10 | 20 | 30 | 11.0 | 23 | 1,42 |
| UP 20 32 7.5 | 20 | 32 | 8.5 | 23 | 1,36 |
| UP 20 40 10 | 20 | 40 | 11.0 | 24 | 1,60 |
| UP 22 28 8 | 22 | 28 | 9.0 | 24 | 1,30 |
| UP 22 30 6 | 22 | 30 | 7.0 | 24 | 1,36 |
| UP 22 32 8 | 22 | 32 | 9.0 | 25 | 1,39 |
| UP 22 32 10 | 22 | 32 | 11.0 | 25 | 1,42 |
| UP 22 35 10 | 22 | 35 | 11.0 | 25 | 1,42 |
| UP 22 40 10 | 22 | 40 | 11.0 | 25 | 1,60 |
| UP 24 32 7 | 24 | 32 | 8.0 | 26 | 1,33 |
| UP 24 34 5 | 24 | 34 | 5.5 | 27 | 1,42 |
| UP 25 33 5 | 25 | 33 | 5.5 | 27 | 1,42 |
| UP 25 35 5 | 25 | 35 | 5.5 | 28 | 1,42 |
| UP 25 35 8 | 25 | 35 | 9.0 | 28 | 1,45 |
| UP 25 35 10 | 25 | 35 | 11.0 | 28 | 1,48 |
| UP 25 38 8 | 25 | 38 | 9.0 | 28 | 1,48 |
| UP 25 38 10 | 25 | 38 | 11.0 | 28 | 1,48 |
| UP 25 40 10 | 25 | 40 | 11.0 | 28 | 1,60 |
| UP 28 35 4.7 | 28 | 35 | 5.5 | 30 | 1,39 |
| UP 28 35.5 5 | 28 | 35.5 | 5.5 | 30 | 1,48 |
| UP 28 36 6.5 | 28 | 36 | 7.5 | 30 | 1,48 |
| UP 28 38 7 | 28 | 38 | 8.0 | 31 | 1,48 |
| UP 28 38 8 | 28 | 38 | 9.0 | 31 | 1,48 |
| UP 28 38 10 | 28 | 38 | 11.0 | 31 | 1,48 |
| UP 28 40 10 | 28 | 40 | 11.0 | 31 | 1,54 |
| UP 30 36 4 | 30 | 36 | 4.5 | 32 | 1,48 |

| Codice - Part No. | d ₁ ¹⁸ d ¹⁷ | D ₁ ^{H10} D _{H10} | L +0.25 | M | €uro |
|-------------------|--|---|---------|----|------|
| UP 30 37 6 | 30 | 37 | 6.0 | 32 | 1,48 |
| UP 30 38 6 | 30 | 38 | 6.5 | 32 | 1,48 |
| UP 30 38 7 | 30 | 38 | 8.0 | 32 | 1,51 |
| UP 30 40 5 | 30 | 40 | 5.5 | 33 | 1,54 |
| UP 30 40 6 | 30 | 40 | 7.0 | 33 | 1,54 |
| UP 30 40 10 | 30 | 40 | 11.0 | 33 | 1,60 |
| UP 30 42 9 | 30 | 42 | 10.0 | 33 | 1,60 |
| UP 30 42 10 | 30 | 42 | 11.0 | 33 | 1,60 |
| UP 30 45 10 | 30 | 45 | 11.0 | 34 | 1,86 |
| UP 30 50 10 | 30 | 50 | 11.0 | 34 | 2,10 |
| UP 30 50 12 | 30 | 50 | 13.0 | 34 | 2,10 |
| UP 32 40 5.5 | 32 | 40 | 6.0 | 34 | 1,60 |
| UP 32 40 8 | 32 | 40 | 9.0 | 34 | 1,60 |
| UP 32 42 10 | 32 | 42 | 11.0 | 35 | 1,60 |
| UP 32 45 10 | 32 | 45 | 11.0 | 35 | 1,86 |
| UP 34 45 7 | 34 | 45 | 8.0 | 37 | 1,80 |
| UP 34 45 9 | 34 | 45 | 10.0 | 37 | 1,80 |
| UP 35 43 6 | 35 | 43 | 7.0 | 37 | 1,77 |
| UP 35 45 6 | 35 | 45 | 7.0 | 38 | 1,86 |
| UP 35 45 7 | 35 | 45 | 8.0 | 38 | 1,86 |
| UP 35 45 8 | 35 | 45 | 9.0 | 38 | 1,86 |
| UP 35 45 10 | 35 | 45 | 11.0 | 38 | 1,95 |
| UP 35 48 10 | 35 | 48 | 11.0 | 38 | 1,98 |
| UP 35 50 10 | 35 | 50 | 11.0 | 39 | 2,07 |
| UP 35 55 10 | 35 | 55 | 11.0 | 39 | 2,13 |
| UP 36 46 7 | 36 | 46 | 8.0 | 39 | 1,86 |
| UP 38 45 5 | 38 | 45 | 5.5 | 40 | 1,86 |
| UP 38 46 6.5 | 38 | 46 | 7.5 | 40 | 1,98 |
| UP 38 50 9 | 38 | 50 | 10.0 | 41 | 2,04 |
| UP 38 55 10 | 38 | 55 | 11.0 | 41 | 2,13 |
| UP 38 58 10 | 38 | 58 | 11.0 | 42 | 2,71 |
| UP 40 50 5 | 40 | 50 | 5.5 | 43 | 2,04 |
| UP 40 50 6 | 40 | 50 | 7.0 | 43 | 2,04 |
| UP 40 50 6.5 | 40 | 50 | 7.5 | 43 | 2,04 |
| UP 40 50 8 | 40 | 50 | 9.0 | 43 | 2,04 |
| UP 40 50 10 | 40 | 50 | 11.0 | 43 | 2,04 |
| UP 40 55 10 | 40 | 55 | 11.0 | 44 | 2,10 |
| UP 40 60 10 | 40 | 60 | 11.0 | 45 | 2,22 |
| UP 40 60 13 | 40 | 60 | 14.0 | 45 | 2,22 |
| UP 42 50 6 | 42 | 50 | 7.0 | 44 | 2,04 |
| UP 42 50 8 | 42 | 50 | 9.0 | 44 | 2,04 |
| UP 42 52 9 | 42 | 52 | 10.0 | 45 | 2,04 |



| Codice - Part No. | d ₁ ¹⁸ d ¹⁷ | D ₁ ^{H10} D _{H10} | L +0.25 | M | €uro |
|-------------------|--|---|---------|----|------|
| UP 42 62 12 | 42 | 62 | 13.0 | 47 | 2,25 |
| UP 45 53 6.5 | 45 | 53 | 7.5 | 48 | 2,04 |
| UP 45 55 6 | 45 | 55 | 7.0 | 48 | 2,10 |
| UP 45 55 6.5 | 45 | 55 | 7.5 | 48 | 2,10 |
| UP 45 55 10 | 45 | 55 | 11.0 | 48 | 2,10 |
| UP 45 56 7 | 45 | 56 | 8.0 | 48 | 2,10 |
| UP 45 60 10 | 45 | 60 | 11.0 | 49 | 2,19 |
| UP 45 63 10 | 45 | 63 | 11.0 | 49 | 2,22 |
| UP 45 65 10 | 45 | 65 | 11.0 | 50 | 2,25 |
| UP 45 65 12 | 45 | 65 | 13.0 | 50 | 2,25 |
| UP 48 58 10 | 48 | 58 | 11.0 | 51 | 2,13 |
| UP 50 60 6 | 50 | 60 | 7.0 | 53 | 2,19 |
| UP 50 60 10 | 50 | 60 | 11.0 | 53 | 2,19 |
| UP 50 60 11 | 50 | 60 | 12.0 | 53 | 2,19 |
| UP 50 62 9 | 50 | 62 | 10.0 | 53 | 2,22 |
| UP 50 63 6 | 50 | 63 | 7.0 | 54 | 2,22 |
| UP 50 65 10 | 50 | 65 | 11.0 | 54 | 2,25 |
| UP 50 70 10 | 50 | 70 | 11.0 | 55 | 2,36 |
| UP 50 70 12 | 50 | 70 | 13.0 | 55 | 2,36 |
| UP 52 62 12 | 52 | 62 | 13.0 | 55 | 2,31 |
| UP 53 63 6.5 | 53 | 63 | 7.5 | 56 | 2,22 |
| UP 55 65 6 | 55 | 65 | 7.0 | 58 | 2,25 |
| UP 55 65 10 | 55 | 65 | 11.0 | 58 | 2,25 |
| UP 55 65 12 | 55 | 65 | 13.0 | 58 | 2,25 |
| UP 55 70 12 | 55 | 70 | 13.0 | 59 | 2,34 |
| UP 55 75 12 | 55 | 75 | 13.0 | 60 | 2,39 |
| UP 56 66 5 | 56 | 66 | 5.5 | 59 | 2,19 |
| UP 60 70 5 | 60 | 70 | 5.5 | 63 | 2,34 |
| UP 60 70 6 | 60 | 70 | 7.0 | 63 | 2,34 |
| UP 60 70 8 | 60 | 70 | 9.0 | 63 | 2,25 |
| UP 60 70 10 | 60 | 70 | 11.0 | 63 | 2,31 |
| UP 60 70 12 | 60 | 70 | 13.0 | 63 | 2,34 |
| UP 60 75 10 | 60 | 75 | 11.0 | 64 | 2,39 |
| UP 60 75 12 | 60 | 75 | 13.0 | 64 | 2,45 |
| UP 60 80 10 | 60 | 80 | 11.0 | 65 | 2,66 |
| UP 60 80 12 | 60 | 80 | 13.0 | 65 | 2,66 |
| UP 63 73 6 | 63 | 73 | 7.0 | 66 | 2,36 |
| UP 63 75 10 | 63 | 75 | 11.0 | 66 | 2,39 |
| UP 63 78 10 | 63 | 78 | 11.0 | 67 | 2,54 |
| UP 65 75 6 | 65 | 75 | 7.0 | 68 | 2,39 |
| UP 65 75 12 | 65 | 75 | 13.0 | 68 | 2,39 |
| UP 65 80 10 | 65 | 80 | 11.0 | 69 | 2,57 |

| Codice - Part No. | d ₁ ¹⁸ d ¹⁷ | D ₁ ^{H10} D _{H10} | L +0.25 | M | €uro |
|-------------------|--|---|---------|-----|------|
| UP 65 80 12 | 65 | 80 | 13.0 | 69 | 2,57 |
| UP 65 85 12 | 65 | 85 | 13.0 | 70 | 2,66 |
| UP 67 77 10 | 67 | 77 | 11.0 | 70 | 2,54 |
| UP 70 80 5 | 70 | 80 | 6.0 | 73 | 2,54 |
| UP 70 80 6 | 70 | 80 | 7.0 | 73 | 2,54 |
| UP 70 80 8 | 70 | 80 | 9.0 | 73 | 2,54 |
| UP 70 80 10 | 70 | 80 | 11.0 | 73 | 2,54 |
| UP 70 80 12 | 70 | 80 | 13.0 | 73 | 2,57 |
| UP 70 85 11 | 70 | 85 | 12.0 | 74 | 2,66 |
| UP 70 85 12 | 70 | 85 | 13.0 | 74 | 2,66 |
| UP 70 90 12 | 70 | 90 | 13.0 | 75 | 2,69 |
| UP 75 85 6 | 75 | 85 | 7.0 | 78 | 2,57 |
| UP 75 85 12 | 75 | 85 | 13.0 | 78 | 2,66 |
| UP 75 90 7.5 | 75 | 90 | 8.5 | 79 | 2,66 |
| UP 75 90 10 | 75 | 90 | 11.0 | 79 | 2,69 |
| UP 75 90 12 | 75 | 90 | 13.0 | 79 | 2,69 |
| UP 75 95 12 | 75 | 95 | 13.0 | 80 | 2,75 |
| UP 75 95 14.5 | 75 | 95 | 15.5 | 80 | 2,75 |
| UP 80 90 5 | 80 | 90 | 6.0 | 83 | 2,69 |
| UP 80 90 6 | 80 | 90 | 7.0 | 83 | 2,69 |
| UP 80 90 8 | 80 | 90 | 9.0 | 83 | 2,69 |
| UP 80 90 10 | 80 | 90 | 11.0 | 83 | 2,69 |
| UP 80 90 12 | 80 | 90 | 13.0 | 83 | 2,69 |
| UP 80 95 12 | 80 | 95 | 13.0 | 84 | 2,72 |
| UP 80 100 9.5 | 80 | 100 | 10.5 | 85 | 2,75 |
| UP 80 100 12 | 80 | 100 | 13.0 | 85 | 2,75 |
| UP 85 95 8.5 | 85 | 95 | 9.5 | 88 | 2,75 |
| UP 85 95 12 | 85 | 95 | 13.0 | 88 | 2,75 |
| UP 85 100 9 | 85 | 100 | 10.0 | 89 | 2,78 |
| UP 85 100 10 | 85 | 100 | 11.0 | 89 | 2,78 |
| UP 85 100 12 | 85 | 100 | 13.0 | 89 | 2,78 |
| UP 85 105 12 | 85 | 105 | 13.0 | 90 | 2,87 |
| UP 90 100 8 | 90 | 100 | 9.0 | 93 | 2,75 |
| UP 90 100 12 | 90 | 100 | 13.0 | 93 | 2,84 |
| UP 90 105 12 | 90 | 105 | 13.0 | 94 | 2,93 |
| UP 90 110 12 | 90 | 110 | 13.0 | 95 | 3,04 |
| UP 90 115 12 | 90 | 115 | 13.0 | 95 | 3,50 |
| UP 95 110 12 | 95 | 110 | 13.0 | 99 | 2,93 |
| UP 95 115 12 | 95 | 115 | 13.0 | 100 | 3,13 |
| UP 100 115 12 | 100 | 115 | 13.0 | 104 | 3,13 |
| UP 100 120 12 | 100 | 120 | 13.0 | 105 | 3,40 |
| UP 100 125 12 | 100 | 125 | 13.0 | 105 | 3,72 |

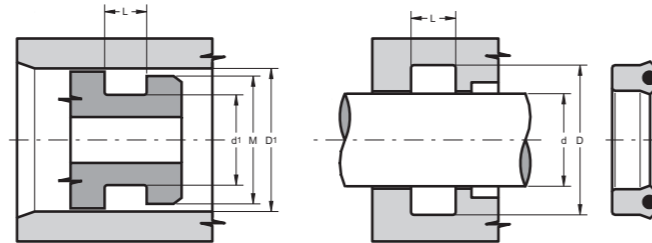


| Codice - Part No. | d ₁ ^{f8} d ^{f7} | D ₁ ^{H10} D ^{H10} | L +0.25 | M | €uro |
|-------------------|--|---|---------|-----|-------|
| UP 100 125 15 | 100 | 125 | 16.0 | 105 | 3,72 |
| UP 105 120 15 | 105 | 120 | 16.0 | 109 | 3,49 |
| UP 105 125 12 | 105 | 125 | 13.0 | 110 | 3,64 |
| UP 105 125 15 | 105 | 125 | 16.0 | 110 | 3,64 |
| UP 110 125 9 | 110 | 125 | 10.0 | 114 | 3,52 |
| UP 110 125 12 | 110 | 125 | 13.0 | 114 | 3,64 |
| UP 110 125 15 | 110 | 125 | 16.0 | 114 | 3,64 |
| UP 110 130 15 | 110 | 130 | 16.0 | 115 | 3,67 |
| UP 115 135 15 | 115 | 135 | 16.0 | 118 | 3,93 |
| UP 120 140 15 | 120 | 140 | 16.0 | 125 | 4,20 |
| UP 125 140 9 | 125 | 140 | 10.0 | 129 | 4,14 |
| UP 125 140 11 | 125 | 140 | 12.0 | 129 | 4,14 |
| UP 125 140 15 | 125 | 140 | 16.0 | 129 | 4,14 |
| UP 125 145 15 | 125 | 145 | 16.0 | 130 | 4,32 |
| UP 130 150 15 | 130 | 150 | 16.0 | 135 | 4,94 |
| UP 140 160 12 | 140 | 160 | 13.0 | 145 | 5,26 |
| UP 140 160 15 | 140 | 160 | 16.0 | 145 | 5,27 |
| UP 145 165 15 | 145 | 165 | 16.0 | 150 | 5,38 |
| UP 150 170 15 | 150 | 170 | 16.0 | 155 | 6,39 |
| UP 160 180 15 | 160 | 180 | 16.0 | 165 | 6,62 |
| UP 170 190 15 | 170 | 190 | 16.0 | 175 | 7,63 |
| UP 175 200 15 | 175 | 200 | 16.0 | 180 | 11,00 |
| UP 180 200 15 | 180 | 200 | 16.0 | 185 | 9,64 |
| UP 190 210 15 | 190 | 210 | 16.0 | 195 | 10,44 |
| UP 200 220 12 | 200 | 220 | 13.0 | 205 | 11,17 |
| UP 200 225 18 | 200 | 225 | 19.0 | 206 | 12,92 |
| UP 220 250 18 | 220 | 250 | 19.0 | 225 | 18,36 |

Misure in pollici - Inch sizes

| | | | | | |
|-------------------|--------|--------|-------|-------|-------|
| UP 2125 2625 0406 | 53.90 | 66.75 | 11.00 | 58 | 2,25 |
| UP 2250 2625 0375 | 57.15 | 66.68 | 10.50 | 60.3 | 2,25 |
| UP 2500 3250 0620 | 63.50 | 82.55 | 16.75 | 68.5 | 2,66 |
| UP 2625 3000 0187 | 66.68 | 76.20 | 5.25 | 69.9 | 1,80 |
| UP 3000 3750 0620 | 76.20 | 95.25 | 16.75 | 81 | 4,43 |
| UP 3500 3875 0375 | 88.90 | 98.43 | 10.50 | 92 | 2,47 |
| UP 3875 4250 0187 | 98.43 | 107.95 | 5.25 | 101.6 | 1,62 |
| UP 5250 6000 0620 | 133.36 | 152.40 | 16.75 | 138 | 5,58 |
| UP 6250 7000 0620 | 158.75 | 177.80 | 16.75 | 163.7 | 6,62 |
| UP 6500 7500 0765 | 165.10 | 190.5 | 20.40 | 170 | 9,87 |
| UP 7000 8000 0750 | 177.80 | 203.2 | 20.10 | 184 | 11,38 |

UPN TENUTA STELO E PISTONE
CON ELEMENTO ENERGIIZZANTE
ROD AND PISTON SEAL WITH ENERGIZER



| Codice - Part No. | d ₁ ^{f8} d ^{f7} | D ₁ ^{H10} D ^{H10} | L +0.25 | M | €uro |
|-------------------|--|---|---------|----|------|
| UPN 5 17 9 | 5 | 17 | 10.0 | 11 | 1,08 |
| UPN 8 18 9 | 8 | 18 | 10.0 | 11 | 1,25 |
| UPN 10 18 5 | 10 | 18 | 6.0 | 12 | 1,28 |
| UPN 10 20 8 | 10 | 20 | 9.0 | 12 | 1,34 |
| UPN 10 22 8 | 10 | 22 | 9.0 | 13 | 1,36 |
| UPN 12 22 5 | 12 | 22 | 6.0 | 15 | 1,36 |
| UPN 12 22 7 | 12 | 22 | 8.0 | 15 | 1,36 |
| UPN 12 22 8 | 12 | 22 | 9.0 | 15 | 1,36 |
| UPN 12 24 8 | 12 | 24 | 9.0 | 15 | 1,42 |
| UPN 14 24 8 | 14 | 24 | 9.0 | 16 | 1,47 |
| UPN 14 27 7 | 14 | 27 | 8.0 | 16 | 1,60 |
| UPN 15 25 8 | 15 | 25 | 9.0 | 18 | 1,47 |
| UPN 15 25 10 | 15 | 25 | 11.0 | 18 | 1,47 |
| UPN 16 26 5 | 16 | 26 | 6.0 | 19 | 1,59 |
| UPN 16 26 8 | 16 | 26 | 9.0 | 19 | 1,59 |
| UPN 16 28 6 | 16 | 28 | 7.0 | 19 | 1,59 |
| UPN 17 27 6.5 | 17 | 27 | 7.5 | 19 | 1,59 |
| UPN 18 28 8 | 18 | 28 | 9.0 | 21 | 1,59 |
| UPN 18 30 8 | 18 | 30 | 9.0 | 21 | 1,65 |
| UPN 20 29 5 | 20 | 29 | 5.5 | 22 | 1,62 |
| UPN 20 30 8 | 20 | 30 | 9.0 | 23 | 1,68 |
| UPN 20 30 10 | 20 | 30 | 11.0 | 23 | 1,74 |
| UPN 20 32 7.5 | 20 | 32 | 8.5 | 23 | 1,70 |
| UPN 20 40 10 | 20 | 40 | 11.0 | 24 | 1,94 |
| UPN 22 32 8 | 22 | 32 | 9.0 | 25 | 1,73 |
| UPN 22 32 10 | 22 | 32 | 11.0 | 25 | 1,76 |
| UPN 22 35 10 | 22 | 35 | 11.0 | 25 | 1,77 |
| UPN 22 40 10 | 22 | 40 | 11.0 | 25 | 1,94 |
| UPN 25 35 5 | 25 | 35 | 5.5 | 28 | 1,77 |
| UPN 25 35 8 | 25 | 35 | 9.0 | 28 | 1,80 |

| Codice - Part No. | d ₁ ^{f8} d ^{f7} | D ₁ ^{H10} D ^{H10} | L +0.25 | M | €uro |
|-------------------|--|---|---------|----|------|
| UPN 25 35 10 | 25 | 35 | 11.0 | 28 | 1,83 |
| UPN 25 38 8 | 25 | 38 | 9.0 | 28 | 1,83 |
| UPN 25 38 10 | 25 | 38 | 11.0 | 28 | 1,83 |
| UPN 25 40 10 | 25 | 40 | 11.0 | 28 | 1,95 |
| UPN 28 38 7 | 28 | 38 | 8.0 | 31 | 1,83 |
| UPN 28 38 8 | 28 | 38 | 9.0 | 31 | 1,83 |
| UPN 28 38 10 | 28 | 38 | 11.0 | 31 | 1,83 |
| UPN 28 40 10 | 28 | 40 | 11.0 | 31 | 1,89 |
| UPN 30 40 5 | 30 | 40 | 5.5 | 33 | 1,89 |
| UPN 30 40 6 | 30 | 40 | 7.0 | 33 | 1,89 |
| UPN 30 40 10 | 30 | 40 | 11.0 | 33 | 1,95 |
| UPN 30 42 9 | 30 | 42 | 10.0 | 33 | 1,96 |
| UPN 30 42 10 | 30 | 42 | 11.0 | 33 | 1,96 |
| UPN 30 45 10 | 30 | 45 | 11.0 | 34 | 2,22 |
| UPN 30 50 10 | 30 | 50 | 11.0 | 34 | 2,47 |
| UPN 30 50 12 | 30 | 50 | 13.0 | 34 | 2,47 |
| UPN 32 40 5.5 | 32 | 40 | 6.0 | 34 | 1,96 |
| UPN 32 40 8 | 32 | 40 | 9.0 | 34 | 1,96 |
| UPN 32 42 10 | 32 | 42 | 11.0 | 35 | 1,96 |
| UPN 32 45 10 | 32 | 45 | 11.0 | 35 | 2,23 |
| UPN 34 45 7 | 34 | 45 | 8.0 | 37 | 2,22 |
| UPN 34 45 9 | 34 | 45 | 10.0 | 37 | 2,22 |
| UPN 35 43 6 | 35 | 43 | 7.0 | 37 | 0,83 |
| UPN 35 45 6 | 35 | 45 | 7.0 | 38 | 2,28 |
| UPN 35 45 7 | 35 | 45 | 8.0 | 38 | 2,28 |
| UPN 35 45 8 | 35 | 45 | 9.0 | 38 | 2,28 |
| UPN 35 45 10 | 35 | 45 | 11.0 | 38 | 2,36 |
| UPN 35 48 10 | 35 | 48 | 11.0 | 38 | 2,35 |
| UPN 35 50 10 | 35 | 50 | 11.0 | 39 | 2,44 |
| UPN 35 55 10 | 35 | 55 | 11.0 | 39 | 2,54 |
| UPN 36 46 7 | 36 | 46 | 8.0 | 39 | 2,23 |
| UPN 38 46 6.5 | 38 | 46 | 7.5 | 40 | 2,41 |
| UPN 38 50 9 | 38 | 50 | 10.0 | 41 | 2,46 |
| UPN 38 55 10 | 38 | 55 | 11.0 | 41 | 2,54 |
| UPN 38 58 10 | 38 | 58 | 11.0 | 42 | 0,83 |
| UPN 40 50 5 | 40 | 50 | 5.5 | 43 | 2,48 |
| UPN 40 50 6 | 40 | 50 | 7.0 | 43 | 2,48 |
| UPN 40 50 6.5 | 40 | 50 | 7.5 | 43 | 2,48 |
| UPN 40 50 8 | 40 | 50 | 9.0 | 43 | 2,48 |
| UPN 40 50 10 | 40 | 50 | 11.0 | 43 | 2,48 |
| UPN 40 55 10 | 40 | 55 | 11.0 | 44 | 2,51 |
| UPN 40 60 10 | 40 | 60 | 11.0 | 45 | 2,65 |
| UPN 40 60 13 | 40 | 60 | 14.0 | 45 | 2,65 |

| Codice - Part No. | d ₁ ^{f8} d ^{f7} | D ₁ ^{H10} D ^{H10} | L +0.25 | M | €uro |
|-------------------|--|---|---------|----|------|
| UPN 42 50 6 | 42 | 50 | 7.0 | 44 | 2,48 |
| UPN 42 50 8 | 42 | 50 | 9.0 | 44 | 2,48 |
| UPN 42 52 9 | 42 | 52 | 10.0 | 45 | 2,48 |
| UPN 42 62 12 | 42 | 62 | 13.0 | 47 | 2,68 |
| UPN 45 53 6.5 | 45 | 53 | 7.5 | 48 | 2,53 |
| UPN 45 55 6 | 45 | 55 | 7.0 | 48 | 2,59 |
| UPN 45 55 6.5 | 45 | 55 | 7.5 | 48 | 2,59 |
| UPN 45 55 10 | 45 | 55 | 11.0 | 48 | 2,59 |
| UPN 45 56 7 | 45 | 56 | 8.0 | 48 | 2,59 |
| UPN 45 60 10 | 45 | 60 | 11.0 | 49 | 2,62 |
| UPN 45 63 10 | 45 | 63 | 11.0 | 49 | 2,65 |
| UPN 45 65 10 | 45 | 65 | 11.0 | 50 | 2,68 |
| UPN 45 65 12 | 45 | 65 | 13.0 | 50 | 2,68 |
| UPN 48 58 10 | 48 | 58 | 11.0 | 51 | 2,62 |
| UPN 50 60 6 | 50 | 60 | 7.0 | 53 | 2,68 |
| UPN 50 60 10 | 50 | 60 | 11.0 | 53 | 2,68 |
| UPN 50 60 11 | 50 | 60 | 12.0 | 53 | 2,65 |
| UPN 50 62 9 | 50 | 62 | 10.0 | 53 | 2,71 |
| UPN 50 63 6 | 50 | 63 | 7.0 | 54 | 2,71 |
| UPN 50 65 10 | 50 | 65 | 11.0 | 54 | 2,72 |
| UPN 50 70 10 | 50 | 70 | 11.0 | 55 | 2,87 |
| UPN 50 70 12 | 50 | 70 | 13.0 | 55 | 2,87 |
| UPN 52 62 12 | 52 | 62 | 13.0 | 55 | 0,83 |
| UPN 53 63 6.5 | 53 | 63 | 7.5 | 56 | 2,71 |
| UPN 55 65 6 | 55 | 65 | 7.0 | 58 | 2,74 |
| UPN 55 65 10 | 55 | 65 | 11.0 | 58 | 2,74 |
| UPN 55 65 12 | 55 | 65 | 13.0 | 58 | 2,74 |
| UPN 55 70 12 | 55 | 70 | 13.0 | 59 | 2,84 |
| UPN 55 75 12 | 55 | 75 | 13.0 | 60 | 2,91 |
| UPN 56 66 5 | 56 | 66 | 5.5 | 59 | 2,69 |
| UPN 60 70 5 | 60 | 70 | 5.5 | 63 | 2,84 |
| UPN 60 70 6 | 60 | 70 | 7.0 | 63 | 2,84 |
| UPN 60 70 8 | 60 | 70 | 9.0 | 63 | 2,75 |
| UPN 60 70 10 | 60 | 70 | 11.0 | 63 | 2,81 |
| UPN 60 70 12 | 60 | 70 | 13.0 | 63 | 2,84 |
| UPN 60 75 10 | 60 | 75 | 11.0 | 64 | 2,91 |
| UPN 60 75 12 | 60 | 75 | 13.0 | 64 | 2,97 |
| UPN 60 80 10 | 60 | 80 | 11.0 | 65 | 3,19 |
| UPN 60 80 12 | 60 | 80 | 13.0 | 65 | 3,19 |
| UPN 63 73 6 | 63 | 73 | 7.0 | 66 | 2,92 |
| UPN 63 75 10 | 63 | 75 | 11.0 | 66 | 2,95 |
| UPN 63 78 10 | 63 | 78 | 11.0 | 67 | 3,10 |
| UPN 65 75 6 | 65 | 75 | 7.0 | 68 | 2,95 |

| Codice - Part No. | d ₁ ^{f8} d ^{f7} | D ₁ ^{H10} D ^{H10} | L ^{+0,25} | M | €uro |
|-------------------|--|---|--------------------|-----|------|
| UPN 65 75 12 | 65 | 75 | 13.0 | 68 | 2,95 |
| UPN 65 80 10 | 65 | 80 | 11.0 | 69 | 3,13 |
| UPN 65 80 12 | 65 | 80 | 13.0 | 69 | 3,13 |
| UPN 65 85 12 | 65 | 85 | 13.0 | 70 | 3,24 |
| UPN 67 77 10 | 67 | 77 | 11.0 | 70 | 3,13 |
| UPN 70 80 5 | 70 | 80 | 6.0 | 73 | 3,13 |
| UPN 70 80 6 | 70 | 80 | 7.0 | 73 | 3,13 |
| UPN 70 80 8 | 70 | 80 | 9.0 | 73 | 3,13 |
| UPN 70 80 10 | 70 | 80 | 11.0 | 73 | 3,13 |
| UPN 70 80 12 | 70 | 80 | 13.0 | 73 | 3,16 |
| UPN 70 85 11 | 70 | 85 | 12.0 | 74 | 3,26 |
| UPN 70 85 12 | 70 | 85 | 13.0 | 74 | 3,26 |
| UPN 70 90 12 | 70 | 90 | 13.0 | 75 | 3,27 |
| UPN 75 85 6 | 75 | 85 | 7.0 | 78 | 3,16 |
| UPN 75 85 12 | 75 | 85 | 13.0 | 78 | 3,25 |
| UPN 75 90 7.5 | 75 | 90 | 8.5 | 79 | 3,26 |
| UPN 75 90 10 | 75 | 90 | 11.0 | 79 | 3,29 |
| UPN 75 90 12 | 75 | 90 | 13.0 | 79 | 3,29 |
| UPN 75 95 12 | 75 | 95 | 13.0 | 80 | 3,42 |
| UPN 75 95 14.5 | 75 | 95 | 15.5 | 80 | 3,42 |
| UPN 80 90 5 | 80 | 90 | 6.0 | 83 | 3,29 |
| UPN 80 90 6 | 80 | 90 | 7.0 | 83 | 3,29 |
| UPN 80 90 8 | 80 | 90 | 9.0 | 83 | 3,29 |
| UPN 80 90 10 | 80 | 90 | 11.0 | 83 | 3,29 |
| UPN 80 90 12 | 80 | 90 | 13.0 | 83 | 3,29 |
| UPN 80 95 12 | 80 | 95 | 13.0 | 84 | 3,36 |
| UPN 80 100 9.5 | 80 | 100 | 10.5 | 85 | 3,42 |
| UPN 80 100 12 | 80 | 100 | 13.0 | 85 | 3,42 |
| UPN 85 95 8.5 | 85 | 95 | 9.5 | 88 | 3,35 |
| UPN 85 95 12 | 85 | 95 | 13.0 | 88 | 3,35 |
| UPN 85 100 9 | 85 | 100 | 10.0 | 89 | 3,46 |
| UPN 85 100 10 | 85 | 100 | 11.0 | 89 | 0,83 |
| UPN 85 100 12 | 85 | 100 | 13.0 | 89 | 3,46 |
| UPN 85 105 12 | 85 | 105 | 13.0 | 90 | 3,61 |
| UPN 90 100 8 | 90 | 100 | 9.0 | 93 | 3,43 |
| UPN 90 100 12 | 90 | 100 | 13.0 | 93 | 3,52 |
| UPN 90 105 12 | 90 | 105 | 13.0 | 94 | 3,65 |
| UPN 90 110 12 | 90 | 110 | 13.0 | 95 | 3,78 |
| UPN 90 115 12 | 90 | 115 | 13.0 | 95 | 4,49 |
| UPN 95 110 12 | 95 | 110 | 13.0 | 99 | 3,79 |
| UPN 95 115 12 | 95 | 115 | 13.0 | 100 | 3,96 |
| UPN 100 115 12 | 100 | 115 | 13.0 | 104 | 4,00 |
| UPN 100 120 12 | 100 | 120 | 13.0 | 105 | 4,26 |

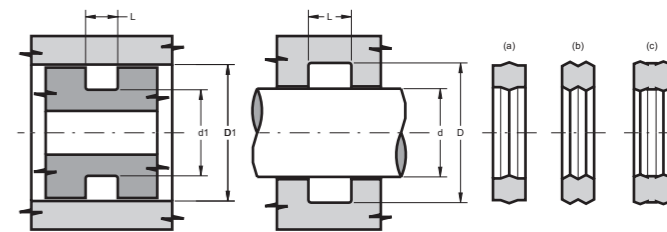
| Codice - Part No. | d ₁ ^{f8} d ^{f7} | D ₁ ^{H10} D ^{H10} | L ^{+0,25} | M | €uro |
|-------------------|--|---|--------------------|-----|-------|
| UPN 100 125 12 | 100 | 125 | 13.0 | 105 | 4,59 |
| UPN 100 125 15 | 100 | 125 | 16.0 | 105 | 4,59 |
| UPN 105 120 15 | 105 | 120 | 16.0 | 109 | 4,51 |
| UPN 105 125 12 | 105 | 125 | 13.0 | 110 | 4,50 |
| UPN 105 125 15 | 105 | 125 | 16.0 | 110 | 4,50 |
| UPN 110 125 9 | 110 | 125 | 10.0 | 114 | 4,54 |
| UPN 110 125 12 | 110 | 125 | 13.0 | 114 | 4,66 |
| UPN 110 125 15 | 110 | 125 | 16.0 | 114 | 4,66 |
| UPN 110 130 15 | 110 | 130 | 16.0 | 115 | 4,60 |
| UPN 115 135 15 | 115 | 135 | 16.0 | 118 | 4,95 |
| UPN 120 140 15 | 120 | 140 | 16.0 | 125 | 5,22 |
| UPN 125 140 9 | 125 | 140 | 10.0 | 129 | 5,29 |
| UPN 125 140 11 | 125 | 140 | 12.0 | 129 | 5,27 |
| UPN 125 140 15 | 125 | 140 | 16.0 | 129 | 5,27 |
| UPN 125 145 15 | 125 | 145 | 16.0 | 130 | 5,45 |
| UPN 130 150 15 | 130 | 150 | 16.0 | 135 | 6,14 |
| UPN 140 160 12 | 140 | 160 | 13.0 | 145 | 6,62 |
| UPN 140 160 15 | 140 | 160 | 16.0 | 145 | 6,54 |
| UPN 145 165 15 | 145 | 165 | 16.0 | 150 | 6,73 |
| UPN 150 170 15 | 150 | 170 | 16.0 | 155 | 7,74 |
| UPN 160 180 15 | 160 | 180 | 16.0 | 165 | 8,05 |
| UPN 170 190 15 | 170 | 190 | 16.0 | 175 | 9,31 |
| UPN 175 200 15 | 175 | 200 | 16.0 | 180 | 12,68 |
| UPN 180 200 15 | 180 | 200 | 16.0 | 185 | 11,32 |
| UPN 190 210 15 | 190 | 210 | 16.0 | 195 | 0,83 |
| UPN 200 220 12 | 200 | 220 | 13.0 | 205 | 13,00 |
| UPN 200 225 18 | 200 | 225 | 19.0 | 206 | 15,15 |
| UPN 220 250 18 | 220 | 250 | 19.0 | 225 | 21,09 |

Misure in pollici - Inch sizes

| | | | | | |
|--------------------|--------|--------|-------|-------|-------|
| UPN 2125 2625 0406 | 53.90 | 66.75 | 11.00 | 58 | 2,75 |
| UPN 2250 2625 0375 | 57.15 | 66.68 | 10.50 | 60.3 | 2,75 |
| UPN 2500 3250 0620 | 63.50 | 82.55 | 16.75 | 68.5 | 3,32 |
| UPN 2625 3000 0187 | 66.68 | 76.20 | 5.25 | 69.9 | 2,36 |
| UPN 3000 3750 0620 | 76.20 | 95.25 | 16.75 | 81 | 5,17 |
| UPN 3500 3875 0375 | 88.90 | 98.43 | 10.50 | 92 | 3,06 |
| UPN 3875 4250 0187 | 98.43 | 107.95 | 5.25 | 101.6 | 2,30 |
| UPN 5250 6000 0620 | 133.36 | 152.40 | 16.75 | 138 | 6,93 |
| UPN 6250 7000 0620 | 158.75 | 177.80 | 16.75 | 163.7 | 8,00 |
| UPN 6500 7500 0765 | 165.10 | 190.50 | 20.40 | 170 | 13,27 |
| UPN 7000 8000 0750 | 177.80 | 203.20 | 20.10 | 184 | 13,75 |

OP TENUTA STELO-PISTONE ROD AND PISTON SEAL

per sedi standard O-Ring - for standard O-Ring housing



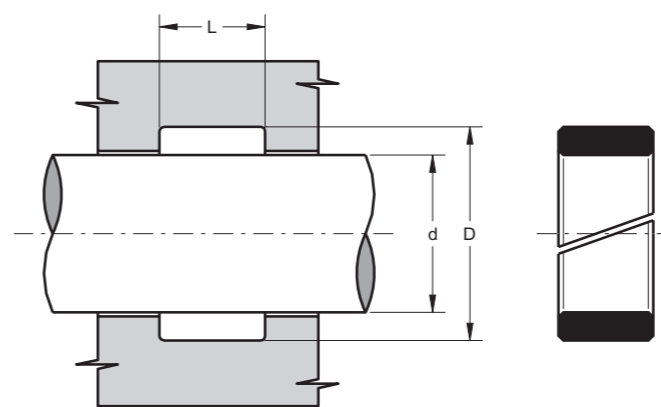
| Codice - Part No. | d ^{f7} | D ^{H9} | d ₁ ^{H9} | D ₁ ^{H8} | L ^{+0,2} | Tipo-Type | €uro |
|-------------------|-----------------|-----------------|------------------------------|------------------------------|-------------------|-----------|------|
| OP 009 | 5 | 8.1 | 5.9 | 9 | 2.5 | (a) | 0,57 |
| OP 012 | 9 | 12.1 | 9.9 | 13 | 2.5 | (a) | 0,58 |
| OP 013 | 11 | 14.1 | 10.9 | 14 | 2.5 | (a) | 0,58 |
| OP 014 | 13 | 16.1 | 12.9 | 16 | 2.5 | (a) | 0,58 |
| OP 014/A | - | - | 13.07 | 15.93 | 3.5 | (b) | 1,08 |
| OP 015 | 14 | 17.1 | 14.9 | 18 | 2.5 | (a) | 0,59 |
| OP 015/A | - | - | 14.67 | 17.53 | 3.5 | (b) | 1,09 |
| OP 016 | 16 | 19.1 | 15.9 | 19 | 2.5 | (a) | 0,59 |
| OP 016/A | - | - | 16.25 | 19.12 | 3.5 | (b) | 1,10 |
| OP 031 | 44 | 47.1 | 44.9 | 48 | 2.5 | (a) | 0,76 |
| OP 034 | 54 | 57.1 | 54.9 | 58 | 2.5 | (a) | 0,77 |
| OP 109 | 8 | 12.5 | 8.5 | 13 | 3.5 | (b) | 1,04 |
| OP 113 | 14 | 18.5 | 14.5 | 19 | 3.5 | (b) | 1,09 |
| OP 115 | 17 | 21.5 | 17.5 | 22 | 3.5 | (b) | 1,12 |
| OP 116/A | 19 | 23.6 | - | - | 5.5 | (b) | 1,20 |
| OP 117 | 20 | 24.5 | 20.5 | 25 | 3.5 | (b) | 1,14 |
| OP 119 | 24 | 28.5 | 24.5 | 29 | 3.5 | (b) | 1,17 |
| OP 121 | 28 | 31.5 | 27.5 | 32 | 3.5 | (b) | 1,21 |
| OP 123 | 30 | 34.5 | 30.5 | 35 | 3.5 | (b) | 1,22 |
| OP 126 | 35 | 39.5 | 35.5 | 40 | 3.5 | (b) | 1,26 |
| OP 132 | 44 | 48.5 | 44.5 | 49 | 3.5 | (b) | 1,34 |
| OP 133 | 46 | 50.5 | 46.5 | 51 | 3.5 | (b) | 1,35 |
| OP 147 | 68 | 72.5 | 68.5 | 73 | 3.5 | (b) | 1,53 |
| OP 153 | 89 | 93.5 | 89.5 | 94 | 3.5 | (b) | 2,59 |
| OP 156 | 108 | 112.5 | 108.5 | 113 | 3.5 | (b) | 2,69 |
| OP 209 | 17 | 23.2 | 17.8 | 24 | 4.5 | (b) | 1,16 |
| OP 210 | 19 | 25.2 | 19.8 | 26 | 4.5 | (b) | 1,17 |
| OP 216 | 28 | 34.2 | 28.8 | 35 | 4.5 | (b) | 1,27 |
| OP 216/A | 28 | 34.3 | - | - | 6.5 | (b) | 1,34 |
| OP 217 | 30 | 36.2 | 30.8 | 37 | 4.5 | (b) | 1,29 |
| OP 217/A | 30 | 36.3 | - | - | 6.5 | (b) | 1,36 |
| OP 218 | 31 | 37.2 | 31.8 | 38 | 4.5 | (b) | 1,30 |
| OP 219 | 33 | 39.2 | 33.8 | 40 | 4.5 | (b) | 1,32 |
| OP 225/829 | 48 | 54.2 | 47.8 | 54 | 4.5 | (b) | 1,46 |
| OP 227/833 | 54 | 60.2 | 54.8 | 61 | 4.5 | (b) | 1,52 |
| OP 230 | 64 | 70.2 | 63.8 | 70 | 4.5 | (b) | 1,62 |

| Codice - Part No. | d ^{F7} | D ^{H9} | d ₁ ^{H9} | D ₁ ^{H8} | L ^{+0.2} | Tipo-Type | €uro |
|-------------------|-----------------|-----------------|------------------------------|------------------------------|-------------------|-----------|------|
| OP 233 | 73 | 79.2 | 73.8 | 80 | 4.5 | (b) | 1,71 |
| OP 236 | 82 | 88.2 | 82.8 | 89 | 4.5 | (b) | 1,80 |
| OP 239 | 92 | 98.2 | 92.8 | 99 | 4.5 | (b) | 2,79 |
| OP 247 | 117 | 123.2 | 117.8 | 124 | 4.5 | (b) | 3,23 |
| OP 337/A | 76 | 85.4 | 76.6 | 86 | 9.5 | (c) | 2,41 |
| OP 342/A | 92 | 101.4 | 92.6 | 102 | 9.5 | (c) | 3,62 |
| OP 349/A | 114 | 123.4 | 115.6 | 125 | 9.5 | (c) | 4,06 |
| OP 430 | 130 | 142.2 | 130.8 | 143 | 9.5 | (c) | 5,12 |
| OP 614 | 12 | 16.8 | - | - | 3.5 | (b) | 1,08 |
| OP 616 | 15 | 19.5 | 15.5 | 20 | 3.5 | (b) | 1,10 |
| OP 617 | 18 | 22.8 | - | - | 3.5 | (b) | 1,13 |
| OP 620 | 80 | 89.4 | 80.6 | 90 | 7.0 | (c) | 2,30 |
| OP 621 | 90 | 99.4 | 90.6 | 100 | 7.0 | (c) | 3,31 |
| OP 623/A | 110 | 119.4 | 110.6 | 120 | 9.5 | (c) | 3,98 |
| OP 806 | 11 | 14.1 | 11.9 | 15 | 2.5 | (a) | 0,58 |
| OP 826 | 43 | 49.2 | 43.8 | 50 | 4.5 | (b) | 1,41 |
| OP 832 | 52 | 58.2 | 53.8 | 60 | 4.5 | (b) | 1,50 |
| OP 834 | 56 | 62.2 | 55.8 | 62 | 4.5 | (b) | 1,54 |
| OP 835 | 57 | 63.2 | 57.8 | 64 | 4.5 | (b) | 1,55 |
| OP 836 | 59 | 65.2 | 58.8 | 65 | 4.5 | (b) | 1,57 |
| OP 839 | 64 | 70.2 | 63.8 | 70 | 4.5 | (b) | 1,62 |
| OP 845 | 73 | 79.2 | 73.8 | 80 | 4.5 | (b) | 1,71 |

misure metriche - metric sizes

| Codice - Part No. | d ^{F7} | D ^{H8} | L ^{+0.2} | Tipo-Type | €uro |
|-------------------|-----------------|-----------------|-------------------|-----------|-------|
| OP 16 30 10 | 16 | 30 | 11.0 | (b) | 1,59 |
| OP 26.6 35 5.5 | 26.6 | 35 | 6.5 | (b) | 1,39 |
| OP 27.5 33.6 4 | 27.5 | 33.6 | 4.5 | (b) | 1,27 |
| OP 34.6 40.7 4 | 34.6 | 40.7 | 4.5 | (b) | 1,29 |
| OP 35.1 41 5.5 | 35.1 | 41 | 6.5 | (b) | 1,32 |
| OP 44.6 50 5.2 | 44.6 | 50 | 6.2 | (b) | 1,37 |
| OP 101.4 110 8 | 101.4 | 110 | 9.0 | (c) | 3,61 |
| OP 101.7 111 7.5 | 101.7 | 111 | 8.5 | (c) | 3,49 |
| OP 105 111 5.5 | 105 | 111 | 6.5 | (b) | 3,07 |
| OP 106.7 116 7.5 | 106.7 | 116 | 8.5 | (c) | 3,76 |
| OP 110 116 5.5 | 110 | 116 | 6.5 | (b) | 3,00 |
| OP 132.8 145 8.5 | 132.8 | 145 | 9.5 | (c) | 4,89 |
| OP 145 151 5 | 145 | 151 | 6.0 | (c) | 3,52 |
| OP 165 171 5 | 165 | 171 | 6.0 | (c) | 5,53 |
| OP 185 191 5 | 185 | 191 | 6.0 | (c) | 5,94 |
| OP 207 213 5 | 207 | 213 | 6.0 | (c) | 8,64 |
| OP 233.5 240.5 8 | 233.5 | 240.5 | 9.0 | (c) | 9,75 |
| OP 262 272 8.5 | 262 | 272 | 9.5 | (c) | 11,33 |
| OP 293 303 8.5 | 293 | 303 | 9.5 | (c) | 11,77 |

FI ANELLO GUIDA STELO ROD GUIDE RING

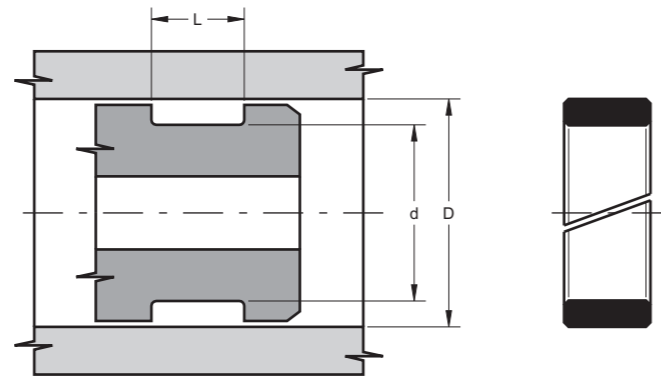


| Codice - Part No. | d ^{F7} | D ^{+0.05} | L ^{+0.25} | €uro |
|-------------------|-----------------|--------------------|--------------------|------|
| FI 12 | 12 | 16 | 9.6 | 0,41 |
| FI 14 | 14 | 18 | 9.6 | 0,41 |
| FI 15 | 15 | 19 | 9.6 | 0,47 |
| FI 16 | 16 | 20 | 9.6 | 0,47 |
| FI 18 | 18 | 22 | 9.6 | 0,47 |
| FI 20 | 20 | 24 | 9.6 | 0,50 |
| FI 20 26 9.6 | 20 | 26 | 9.6 | 0,50 |
| FI 22 | 22 | 26 | 9.6 | 0,50 |
| FI 25 | 25 | 29 | 9.6 | 0,50 |
| FI 25 31 9.6 | 25 | 31 | 9.6 | 0,50 |
| FI 26 | 26 | 30 | 9.6 | 0,50 |
| FI 28 | 28 | 32 | 9.6 | 0,50 |
| FI 28 31 5.6 | 28 | 31 | 5.6 | 0,50 |
| FI 30 | 30 | 34 | 9.6 | 0,50 |
| FI 30 36 9.6 | 30 | 36 | 9.6 | 0,56 |
| FI 32 | 32 | 36 | 9.6 | 0,56 |
| FI 32 35.1 4 | 32 | 35.1 | 4.0 | 0,56 |
| FI 32 38 10 | 32 | 38 | 10.0 | 0,56 |
| FI 34 | 34 | 38 | 9.6 | 0,56 |
| FI 35 | 35 | 39 | 9.6 | 0,56 |
| FI 35 39 12.8 | 35 | 39 | 12.8 | 0,56 |
| FI 35 41 9.6 | 35 | 41 | 9.6 | 0,56 |
| FI 36 | 36 | 40 | 9.6 | 0,56 |
| FI 36 42 9.6 | 36 | 42 | 9.6 | 0,56 |

| Codice - Part No. | d ^{F7} | D ^{+0.05} | L ^{+0.25} | €uro |
|--------------------|-----------------|--------------------|--------------------|------|
| FI 38 | 38 | 42 | 9.6 | 0,56 |
| FI 40 | 40 | 44 | 9.6 | 0,56 |
| FI 40 46 9.6 | 40 | 46 | 9.6 | 0,56 |
| FI 42 | 42 | 46 | 9.6 | 0,56 |
| FI 45 | 45 | 51 | 9.6 | 0,56 |
| FI 45 51 12.8 | 45 | 51 | 12.8 | 0,56 |
| FI 46 | 46 | 52 | 9.6 | 0,56 |
| FI 48 | 48 | 54 | 9.6 | 0,56 |
| FI 50 | 50 | 56 | 9.6 | 0,59 |
| FI 50 56 12.8 | 50 | 56 | 12.8 | 0,59 |
| FI 52 | 52 | 58 | 9.6 | 0,59 |
| FI 53 | 53 | 59 | 9.6 | 0,59 |
| FI 55 | 55 | 61 | 9.6 | 0,59 |
| FI 55 61 12.8 | 55 | 61 | 12.8 | 0,59 |
| FI 56 | 56 | 62 | 12.8 | 0,62 |
| FI 60 | 60 | 66 | 12.8 | 0,65 |
| FI 63 | 63 | 69 | 12.8 | 0,65 |
| FI 65 | 65 | 71 | 12.8 | 0,65 |
| FI 66 | 66 | 72 | 12.8 | 0,65 |
| FI 70 | 70 | 76 | 12.8 | 0,74 |
| FI 72 | 72 | 78 | 12.8 | 0,74 |
| FI 73 | 73 | 79 | 12.8 | 0,74 |
| FI 75 | 75 | 81 | 12.8 | 0,77 |
| FI 76 | 76 | 82 | 12.8 | 0,77 |
| FI 76.2 82.55 12.8 | 76.2 | 82.55 | 12.8 | 0,77 |
| FI 78 | 78 | 84 | 12.8 | 0,77 |
| FI 80 | 80 | 86 | 12.8 | 0,77 |
| FI 80 86 19.2 | 80 | 86 | 19.2 | 0,85 |
| FI 85 | 85 | 91 | 12.8 | 0,89 |
| FI 86 | 86 | 92 | 12.8 | 0,89 |
| FI 90 | 90 | 96 | 12.8 | 1,01 |
| FI 90 96 19.2 | 90 | 96 | 19.2 | 1,11 |
| FI 95 | 95 | 101 | 12.8 | 1,03 |
| FI 100 | 100 | 106 | 12.8 | 1,06 |
| FI 105 | 105 | 111 | 12.8 | 1,09 |
| FI 110 | 110 | 116 | 12.8 | 1,12 |
| FI 115 | 115 | 121 | 12.8 | 1,15 |
| FI 120 | 120 | 126 | 12.8 | 1,18 |
| FI 120 126 19.2 | 120 | 126 | 19.2 | 1,30 |
| FI 120 126 25.4 | 120 | 126 | 25.4 | 1,36 |

| Codice - Part No. | d ^{F7} | D ^{+0.05} | L ^{+0.25} | €uro |
|-------------------|-----------------|--------------------|--------------------|------|
| FI 123 | 123 | 129 | 12.8 | 1,18 |
| FI 125 | 125 | 131 | 12.8 | 1,18 |
| FI 130 | 130 | 136 | 12.8 | 1,21 |
| FI 130 136 25.4 | 130 | 136 | 25.4 | 1,33 |
| FI 135 | 135 | 141 | 12.8 | 1,24 |
| FI 140 | 140 | 146 | 12.8 | 1,30 |
| FI 143 | 143 | 149 | 12.8 | 1,48 |
| FI 145 | 145 | 151 | 12.8 | 1,60 |
| FI 150 | 150 | 156 | 12.8 | 1,77 |
| FI 150 156 19.2 | 150 | 156 | 19.2 | 1,77 |
| FI 154 | 154 | 160 | 19.2 | 1,95 |
| FI 155 | 155 | 161 | 19.2 | 1,95 |
| FI 160 | 160 | 166 | 19.2 | 2,19 |
| FI 165 | 165 | 171 | 19.2 | 2,22 |
| FI 170 | 170 | 176 | 19.2 | 2,31 |
| FI 175 | 175 | 181 | 19.2 | 2,31 |
| FI 180 | 180 | 186 | 19.2 | 2,36 |
| FI 185 | 185 | 191 | 19.2 | 2,54 |
| FI 190 | 190 | 196 | 19.2 | 2,60 |
| FI 195 | 195 | 201 | 19.2 | 2,63 |
| FI 200 | 200 | 206 | 19.2 | 2,66 |
| FI 205 | 205 | 211 | 19.2 | 2,72 |
| FI 210 | 210 | 216 | 19.2 | 2,78 |
| FI 215 | 215 | 221 | 19.2 | 2,84 |
| FI 220 | 220 | 226 | 19.2 | 2,96 |
| FI 225 | 225 | 231 | 19.2 | 3,25 |
| FI 230 | 230 | 236 | 19.2 | 3,49 |
| FI 235 | 235 | 241 | 19.2 | 3,75 |
| FI 240 | 240 | 246 | 19.2 | 3,99 |
| FI 245 | 245 | 251 | 19.2 | 4,26 |
| FI 250 | 250 | 256 | 19.2 | 4,43 |
| FI 255 | 255 | 261 | 19.2 | 4,51 |
| FI 260 | 260 | 266 | 19.2 | 4,58 |
| FI 265 | 265 | 271 | 19.2 | 4,64 |
| FI 270 | 270 | 276 | 19.2 | 4,70 |
| FI 275 | 275 | 281 | 19.2 | 4,79 |
| FI 280 | 280 | 286 | 19.2 | 4,88 |
| FI 285 | 285 | 291 | 19.2 | 4,91 |
| FI 290 | 290 | 296 | 19.2 | 4,94 |
| FI 295 | 295 | 301 | 19.2 | 5,04 |

FE ANELLO GUIDA PISTONE PISTON GUIDE RING

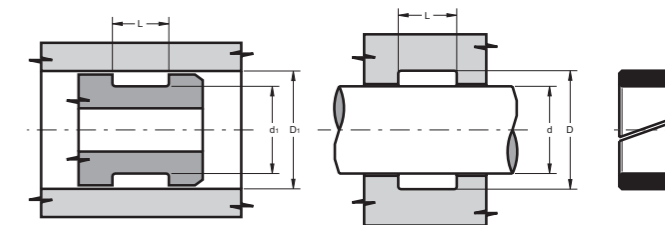


| Codice - Part No. | D ^{H8} | d ^{-0.05} | L ^{+0.25} | €uro |
|--------------------|-----------------|--------------------|--------------------|------|
| FE 16 | 16 | 12 | 9.6 | 0,41 |
| FE 18 | 18 | 14 | 9.6 | 0,41 |
| FE 20 | 20 | 16 | 9.6 | 0,47 |
| FE 22 | 22 | 18 | 9.6 | 0,47 |
| FE 24 | 24 | 20 | 9.6 | 0,50 |
| FE 25 | 25 | 21 | 9.6 | 0,50 |
| FE 25 19 9.6 | 25 | 19 | 9.6 | 0,50 |
| FE 25 21 8.2 | 25 | 21 | 8.2 | 0,50 |
| FE 26 | 26 | 22 | 9.6 | 0,50 |
| FE 28 | 28 | 24 | 9.6 | 0,50 |
| FE 30 | 30 | 26 | 9.6 | 0,50 |
| FE 32 | 32 | 28 | 9.6 | 0,50 |
| FE 34 | 34 | 30 | 9.6 | 0,50 |
| FE 35 | 35 | 31 | 9.6 | 0,50 |
| FE 36 | 36 | 32 | 9.6 | 0,56 |
| FE 40 | 40 | 36 | 9.6 | 0,56 |
| FE 40 34 9.6 | 40 | 34 | 9.6 | 0,56 |
| FE 42 | 42 | 38 | 9.6 | 0,53 |
| FE 45 | 45 | 41 | 9.6 | 0,56 |
| FE 46 | 46 | 42 | 9.6 | 0,56 |
| FE 48 | 48 | 42 | 9.6 | 0,56 |
| FE 49 | 49 | 43 | 9.6 | 0,56 |
| FE 50 | 50 | 44 | 9.6 | 0,56 |
| FE 50.8 44.45 12.7 | 50.80 | 44.45 | 12.7 | 0,56 |

| Codice - Part No. | D ^{H8} | d ^{-0.05} | L ^{+0.25} | €uro |
|--------------------|-----------------|--------------------|--------------------|------|
| FE 55 | 55 | 49 | 12.8 | 0,56 |
| FE 55 49 9.6 | 55 | 49 | 9.6 | 0,56 |
| FE 56 | 56 | 50 | 12.8 | 0,56 |
| FE 57.16 50.25 6.1 | 57.16 | 50.25 | 6.1 | 0,56 |
| FE 60 | 60 | 54 | 12.8 | 0,56 |
| FE 60 54 9.6 | 60 | 54 | 9.6 | 0,56 |
| FE 63 | 63 | 57 | 12.8 | 0,62 |
| FE 63 57 10 | 63 | 57 | 10.0 | 0,62 |
| FE 63.5 57.15 12.7 | 63.50 | 57.15 | 12.7 | 0,62 |
| FE 65 | 65 | 59 | 12.8 | 0,62 |
| FE 70 | 70 | 64 | 12.8 | 0,65 |
| FE 74 | 74 | 68 | 12.8 | 0,74 |
| FE 75 | 75 | 69 | 12.8 | 0,74 |
| FE 80 | 80 | 74 | 12.8 | 0,74 |
| FE 85 | 85 | 79 | 12.8 | 0,77 |
| FE 90 | 90 | 84 | 12.8 | 0,89 |
| FE 90 84 10/S | 90 | 84 | 10.0 | 0,89 |
| FE 94 | 94 | 88 | 12.8 | 1,01 |
| FE 95 | 95 | 89 | 12.8 | 1,01 |
| FE 96 | 96 | 90 | 12.8 | 1,01 |
| FE 100 | 100 | 94 | 12.8 | 1,03 |
| FE 105 | 105 | 99 | 12.8 | 1,06 |
| FE 110 | 110 | 104 | 12.8 | 1,09 |
| FE 115 | 115 | 109 | 12.8 | 1,12 |
| FE 120 | 120 | 114 | 12.8 | 1,15 |
| FE 125 | 125 | 119 | 12.8 | 1,18 |
| FE 126 | 126 | 120 | 12.8 | 1,18 |
| FE 130 | 130 | 124 | 12.8 | 1,18 |
| FE 135 | 135 | 129 | 12.8 | 1,21 |
| FE 135 129 19.2 | 135 | 129 | 19.2 | 1,37 |
| FE 140 | 140 | 134 | 12.8 | 1,24 |
| FE 145 | 145 | 139 | 12.8 | 1,30 |
| FE 147 | 147 | 141 | 12.8 | 1,48 |
| FE 150 | 150 | 144 | 12.8 | 1,48 |
| FE 155 | 155 | 149 | 19.2 | 1,77 |
| FE 160 | 160 | 154 | 19.2 | 1,95 |
| FE 165 | 165 | 159 | 19.2 | 2,19 |
| FE 170 | 170 | 164 | 19.2 | 2,22 |
| FE 175 | 175 | 169 | 19.2 | 2,31 |
| FE 180 | 180 | 174 | 19.2 | 2,31 |
| FE 185 | 185 | 179 | 19.2 | 2,36 |
| FE 190 | 190 | 184 | 19.2 | 2,54 |

| Codice - Part No. | D ^{H8} | d ^{-0.05} | L ^{+0.25} | €uro |
|-------------------|-----------------|--------------------|--------------------|------|
| FE 195 | 195 | 189 | 19.2 | 2,60 |
| FE 200 | 200 | 194 | 19.2 | 2,63 |
| FE 205 | 205 | 199 | 19.2 | 2,68 |
| FE 210 | 210 | 204 | 19.2 | 2,72 |
| FE 215 | 215 | 209 | 19.2 | 2,78 |
| FE 220 | 220 | 214 | 19.2 | 2,84 |
| FE 225 | 225 | 219 | 19.2 | 3,07 |
| FE 230 | 230 | 224 | 19.2 | 3,25 |
| FE 235 | 235 | 229 | 19.2 | 3,50 |
| FE 240 | 240 | 234 | 19.2 | 3,75 |
| FE 245 | 245 | 239 | 19.2 | 4,05 |
| FE 250 | 250 | 244 | 19.2 | 4,26 |
| FE 255 | 255 | 249 | 19.2 | 4,35 |
| FE 260 | 260 | 254 | 19.2 | 4,43 |
| FE 265 | 265 | 259 | 19.2 | 4,55 |
| FE 270 | 270 | 264 | 19.2 | 4,66 |
| FE 275 | 275 | 269 | 19.2 | 4,77 |
| FE 280 | 280 | 274 | 19.2 | 4,88 |
| FE 285 | 285 | 279 | 19.2 | 4,89 |
| FE 290 | 290 | 284 | 19.2 | 4,91 |
| FE 295 | 295 | 289 | 19.2 | 4,92 |
| FE 300 | 300 | 294 | 19.2 | 4,94 |

FR ANELLO GUIDA STELO E PISTONE ROD AND PISTON GUIDE RING

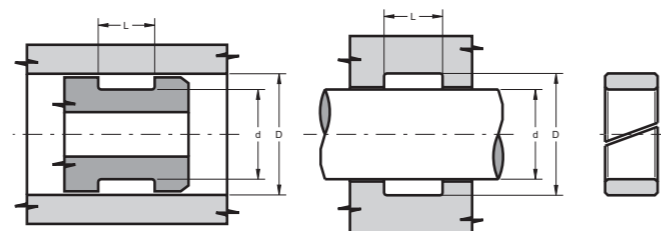


| Codice - Part No. | d ₁ ^{-0.05} d ^{F7} | D ₁ ^{H8} D ^{+0.05} | L ^{+0.25} | €uro |
|-------------------|---|---|--------------------|------|
| FR 16 19.1 4 | 16 | 19.1 | 4.0 | 0,44 |
| FR 20 25 5.6 | 20 | 25 | 5.6 | 0,47 |
| FR 25 30 5.6 | 25 | 30 | 5.6 | 0,47 |
| FR 25 30 9.7 | 25 | 30 | 9.7 | 0,47 |
| FR 27 32 5.6 | 27 | 32 | 5.6 | 0,47 |
| FR 30 35 5.6 | 30 | 35 | 5.6 | 0,47 |
| FR 30 35 9.7 | 30 | 35 | 9.7 | 0,47 |

| Codice - Part No. | $d_1^{-0.05} d^{f7}$ | $D_1^{H8} D^{+0.05}$ | $L^{+0.25}$ | €uro |
|---------------------|----------------------|----------------------|-------------|------|
| FR 30 35 19.4 | 30 | 35 | 19.4 | 0,55 |
| FR 35 40 4.5 | 35 | 40 | 4.5 | 0,56 |
| FR 35 40 5.6 | 35 | 40 | 5.6 | 0,56 |
| FR 35 40 9.7 | 35 | 40 | 9.7 | 0,56 |
| FR 36 41 5.6 | 36 | 41 | 5.6 | 0,56 |
| FR 40 45 5.6 | 40 | 45 | 5.6 | 0,56 |
| FR 40 45 9.7 | 40 | 45 | 9.7 | 0,56 |
| FR 45 50 5.6 | 45 | 50 | 5.6 | 0,56 |
| FR 45 50 9.7 | 45 | 50 | 9.7 | 0,56 |
| FR 45 50 19.4 | 45 | 50 | 19.4 | 0,67 |
| FR 46 50 9.7 | 46 | 50 | 9.7 | 0,56 |
| FR 46 50 10.2 | 46 | 50 | 10.2 | 0,66 |
| FR 50 55 5.6 | 50 | 55 | 5.6 | 0,56 |
| FR 50 55 9.7 | 50 | 55 | 9.7 | 0,59 |
| FR 55 60 5.6 | 55 | 60 | 5.6 | 0,59 |
| FR 55 60 9.7 | 55 | 60 | 9.7 | 0,59 |
| FR 56 60 10.2 | 56 | 60 | 10.2 | 0,73 |
| FR 57.18 62.18 19.8 | 57.18 | 62.18 | 19.8 | 0,88 |
| FR 58 63 5.6 | 58 | 63 | 5.6 | 0,59 |
| FR 58 63 9.7 | 58 | 63 | 9.7 | 0,59 |
| FR 59 63 10 | 59 | 63 | 10.0 | 0,65 |
| FR 60 65 5.6 | 60 | 65 | 5.6 | 0,62 |
| FR 60 65 9.7 | 60 | 65 | 9.7 | 0,65 |
| FR 60 65 19.4 | 60 | 65 | 19.4 | 0,81 |
| FR 65 70 5.6 | 65 | 70 | 5.6 | 0,65 |
| FR 65 70 9.7 | 65 | 70 | 9.7 | 0,65 |
| FR 66 70 10.2 | 66 | 70 | 10.2 | 0,92 |
| FR 67 72 5.6 | 67 | 72 | 5.6 | 0,65 |
| FR 70 75 5.6 | 70 | 75 | 5.6 | 0,68 |
| FR 70 75 9.7 | 70 | 75 | 9.7 | 0,68 |
| FR 71.2 76.2 20 | 71.2 | 76.2 | 20.0 | 0,87 |
| FR 75 80 5.6 | 75 | 80 | 5.6 | 0,68 |
| FR 75 80 9.7 | 75 | 80 | 9.7 | 0,68 |
| FR 75 80 19.4 | 75 | 80 | 19.4 | 0,87 |
| FR 76 80 10 | 76 | 80 | 10.0 | 0,68 |
| FR 80 85 5.6 | 80 | 85 | 5.6 | 0,68 |
| FR 80 85 9.7 | 80 | 85 | 9.7 | 0,68 |
| FR 85 90 5.6 | 85 | 90 | 5.6 | 0,71 |
| FR 85 90 9.7 | 85 | 90 | 9.7 | 0,74 |
| FR 88.9 93.9 19.8 | 88.90 | 93.90 | 19.8 | 0,98 |
| FR 90 95 5.6 | 90 | 95 | 5.6 | 0,71 |

| Codice - Part No. | $d_1^{-0.05} d^{f7}$ | $D_1^{H8} D^{+0.05}$ | $L^{+0.25}$ | €uro |
|-------------------|----------------------|----------------------|-------------|------|
| FR 90 95 9.7 | 90 | 95 | 9.7 | 0,74 |
| FR 90 95 19.4 | 90 | 95 | 19.4 | 0,98 |
| FR 92 97 9.7 | 92 | 97 | 9.7 | 0,86 |
| FR 95 100 5.6 | 95 | 100 | 5.6 | 0,80 |
| FR 95 100 9.7 | 95 | 100 | 9.7 | 0,86 |
| FR 96 100 10 | 96 | 100 | 10.0 | 0,86 |
| FR 100 105 5.6 | 100 | 105 | 5.6 | 0,86 |
| FR 100 105 9.7 | 100 | 105 | 9.7 | 0,86 |
| FR 103 108 20 | 103 | 108 | 20.0 | 1,07 |
| FR 105 110 9.7 | 105 | 110 | 9.7 | 0,92 |
| FR 105 110 19.4 | 105 | 110 | 19.4 | 1,10 |
| FR 110 115 9.7 | 110 | 115 | 9.7 | 0,95 |
| FR 115 120 9.7 | 115 | 120 | 9.7 | 0,95 |
| FR 120 125 5.6 | 120 | 125 | 5.6 | 0,92 |
| FR 120 125 9.7 | 120 | 125 | 9.7 | 0,95 |
| FR 122 127 9.7 | 122 | 127 | 9.7 | 0,95 |
| FR 122 127 19.4 | 122 | 127 | 19.4 | 1,16 |
| FR 130 135 9.7 | 130 | 135 | 9.7 | 1,06 |
| FR 135 140 15 | 135 | 140 | 15.0 | 1,34 |
| FR 155 160 15 | 155 | 160 | 15.0 | 1,61 |
| FR 175 180 15 | 175 | 180 | 15.0 | 1,92 |
| FR 176 180 25 | 176 | 180 | 25.0 | 2,00 |

GRF ANELLO DI GUIDA FENOLICO PHENOLIC WEAR RING

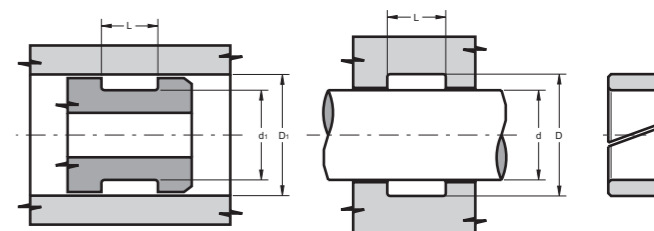


| Codice - Part No. | $d_1^{H8} d^{f8}$ | $D_1^{H9} D^{H8}$ | $L^{+0.2}$ | €uro |
|-------------------|-------------------|-------------------|------------|------|
| GRF 20 25 9.7 | 20 | 25 | 9.7 | * |
| GRF 25 30 9.7 | 25 | 30 | 9.7 | * |
| GRF 27 32 9.7 | 27 | 32 | 9.7 | * |
| GRF 30 35 9.7 | 30 | 35 | 9.7 | * |
| GRF 35 40 9.7 | 35 | 40 | 9.7 | * |

| Codice - Part No. | $d_1^{H8} d^{f8}$ | $D_1^{H9} D^{H8}$ | $L^{+0.2}$ | €uro |
|-------------------|-------------------|-------------------|------------|------|
| GRF 36 41 9.7 | 36 | 41 | 9.7 | * |
| GRF 37 42 9.7 | 37 | 42 | 9.7 | * |
| GRF 40 45 9.7 | 40 | 45 | 9.7 | * |
| GRF 45 50 9.7 | 45 | 50 | 9.7 | * |
| GRF 50 55 9.7 | 50 | 55 | 9.7 | * |
| GRF 55 60 9.7 | 55 | 60 | 9.7 | * |
| GRF 56 61 9.7 | 56 | 61 | 9.7 | * |
| GRF 58 63 9.7 | 58 | 63 | 9.7 | * |
| GRF 60 65 9.7 | 60 | 65 | 9.7 | * |
| GRF 63 68 9.7 | 63 | 68 | 9.7 | * |
| GRF 65 70 9.7 | 65 | 70 | 9.7 | * |
| GRF 70 75 9.7 | 70 | 75 | 9.7 | * |
| GRF 75 80 9.7 | 75 | 80 | 9.7 | * |
| GRF 80 85 9.7 | 80 | 85 | 9.7 | * |
| GRF 85 90 9.7 | 85 | 90 | 9.7 | * |
| GRF 90 95 9.7 | 90 | 95 | 9.7 | * |
| GRF 94 99 9.7 | 94 | 99 | 9.7 | * |
| GRF 95 100 9.7 | 95 | 100 | 9.7 | * |
| GRF 100 105 9.7 | 100 | 105 | 9.7 | * |
| GRF 105 110 9.7 | 105 | 110 | 9.7 | * |
| GRF 110 115 9.7 | 110 | 115 | 9.7 | * |
| GRF 115 120 9.7 | 115 | 120 | 9.7 | * |
| GRF 120 125 9.7 | 120 | 125 | 9.7 | * |
| GRF 125 130 9.7 | 125 | 130 | 9.7 | * |
| GRF 130 135 9.7 | 130 | 135 | 9.7 | * |
| GRF 135 140 9.7 | 135 | 140 | 9.7 | * |
| GRF 140 145 9.7 | 140 | 145 | 9.7 | * |
| GRF 145 150 9.7 | 145 | 150 | 9.7 | * |
| GRF 150 155 9.7 | 150 | 155 | 9.7 | * |
| GRF 155 160 9.7 | 155 | 160 | 9.7 | * |
| GRF 160 165 9.7 | 160 | 165 | 9.7 | * |
| GRF 170 175 9.7 | 170 | 175 | 9.7 | * |
| GRF 175 180 9.7 | 175 | 180 | 9.7 | * |
| GRF 180 185 9.7 | 180 | 185 | 9.7 | * |
| GRF 185 190 9.7 | 185 | 190 | 9.7 | * |
| GRF 195 200 9.7 | 195 | 200 | 9.7 | * |
| GRF 36 41 15 | 36 | 41 | 15.0 | * |
| GRF 50 55 15 | 50 | 55 | 15.0 | * |
| GRF 55 60 15 | 55 | 60 | 15.0 | * |
| GRF 58 63 15 | 58 | 63 | 15.0 | * |
| GRF 60 65 15 | 60 | 65 | 15.0 | * |

| Codice - Part No. | $d_1^{H8} d^{f8}$ | $D_1^{H9} D^{H8}$ | $L^{+0.2}$ | €uro |
|-------------------|-------------------|-------------------|------------|------|
| GRF 65 70 15 | 65 | 70 | 15.0 | * |
| GRF 70 75 15 | 70 | 75 | 15.0 | * |
| GRF 75 80 15 | 75 | 80 | 15.0 | * |
| GRF 80 85 15 | 80 | 85 | 15.0 | * |
| GRF 85 90 15 | 85 | 90 | 15.0 | * |
| GRF 90 95 15 | 90 | 95 | 15.0 | * |
| GRF 95 100 15 | 95 | 100 | 15.0 | * |
| GRF 100 105 15 | 100 | 105 | 15.0 | * |
| GRF 105 110 15 | 105 | 110 | 15.0 | * |
| GRF 110 115 15 | 110 | 115 | 15.0 | * |
| GRF 115 120 15 | 115 | 120 | 15.0 | * |
| GRF 120 125 15 | 120 | 125 | 15.0 | * |
| GRF 125 130 15 | 125 | 130 | 15.0 | * |
| GRF 130 135 15 | 130 | 135 | 15.0 | * |
| GRF 135 140 15 | 135 | 140 | 15.0 | * |
| GRF 140 145 15 | 140 | 145 | 15.0 | * |
| GRF 145 150 15 | 145 | 150 | 15.0 | * |
| GRF 150 155 15 | 150 | 155 | 15.0 | * |
| GRF 155 160 15 | 155 | 160 | 15.0 | * |
| GRF 160 165 15 | 160 | 165 | 15.0 | * |
| GRF 165 170 15 | 165 | 170 | 15.0 | * |
| GRF 170 175 15 | 170 | 175 | 15.0 | * |
| GRF 175 180 15 | 175 | 180 | 15.0 | * |
| GRF 180 185 15 | 180 | 185 | 15.0 | * |
| GRF 185 190 15 | 185 | 190 | 15.0 | * |
| GRF 190 195 15 | 190 | 195 | 15.0 | * |
| GRF 195 200 15 | 195 | 200 | 15.0 | * |
| GRF 200 205 15 | 200 | 205 | 15.0 | * |
| GRF 240 245 15 | 240 | 245 | 15.0 | * |
| GRF 255 260 15 | 255 | 260 | 15.0 | * |

GRB ANELLO DI GUIDA IN PTFE+BRONZO PTFE+BRONZE WEAR RING



| Codice - Part No. | d ₁ ^{h8} d ^{f8} | D ₁ ^{H9} D ^{H8} | L ^{+0.2} | €uro |
|-------------------|--|--|-------------------|------|
| GRB 15 20 6.3 | 15 | 20 | 6.3 | * |
| GRB 20 25 6.3 | 20 | 25 | 6.3 | * |
| GRB 25 30 6.3 | 25 | 30 | 6.3 | * |
| GRB 30 35 6.3 | 30 | 35 | 6.3 | * |
| GRB 35 40 6.3 | 35 | 40 | 6.3 | * |
| GRB 40 45 6.3 | 40 | 45 | 6.3 | * |
| GRB 45 50 6.3 | 45 | 50 | 6.3 | * |
| GRB 50 55 6.3 | 50 | 55 | 6.3 | * |
| GRB 55 60 6.3 | 55 | 60 | 6.3 | * |
| GRB 60 65 6.3 | 60 | 65 | 6.3 | * |
| GRB 65 70 6.3 | 65 | 70 | 6.3 | * |
| GRB 70 75 6.3 | 70 | 75 | 6.3 | * |
| GRB 75 80 6.3 | 75 | 80 | 6.3 | * |
| GRB 30 35 8.1 | 30 | 35 | 8.1 | * |
| GRB 35 40 8.1 | 35 | 40 | 8.1 | * |
| GRB 40 45 8.1 | 40 | 45 | 8.1 | * |
| GRB 45 50 8.1 | 45 | 50 | 8.1 | * |
| GRB 50 55 8.1 | 50 | 55 | 8.1 | * |
| GRB 55 60 8.1 | 55 | 60 | 8.1 | * |
| GRB 60 65 8.1 | 60 | 65 | 8.1 | * |
| GRB 65 70 8.1 | 65 | 70 | 8.1 | * |
| GRB 70 75 8.1 | 70 | 75 | 8.1 | * |
| GRB 75 80 8.1 | 75 | 80 | 8.1 | * |
| GRB 80 85 8.1 | 80 | 85 | 8.1 | * |
| GRB 85 90 8.1 | 85 | 90 | 8.1 | * |
| GRB 90 95 8.1 | 90 | 95 | 8.1 | * |
| GRB 95 100 8.1 | 95 | 100 | 8.1 | * |
| GRB 100 105 8.1 | 100 | 105 | 8.1 | * |
| GRB 105 110 8.1 | 105 | 110 | 8.1 | * |
| GRB 110 115 8.1 | 110 | 115 | 8.1 | * |
| GRB 115 120 8.1 | 115 | 120 | 8.1 | * |
| GRB 120 125 8.1 | 120 | 125 | 8.1 | * |
| GRB 125 130 8.1 | 125 | 130 | 8.1 | * |
| GRB 30 35 9.7 | 30 | 35 | 9.7 | * |
| GRB 35 40 9.7 | 35 | 40 | 9.7 | * |
| GRB 40 45 9.7 | 40 | 45 | 9.7 | * |
| GRB 45 50 9.7 | 45 | 50 | 9.7 | * |

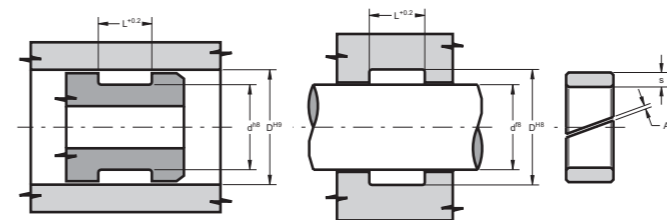
* a richiesta - on request

| Codice - Part No. | d ₁ ^{h8} d ^{f8} | D ₁ ^{H9} D ^{H8} | L ^{+0.2} | €uro |
|-------------------|--|--|-------------------|------|
| GRB 50 55 9.7 | 50 | 55 | 9.7 | * |
| GRB 55 60 9.7 | 55 | 60 | 9.7 | * |
| GRB 60 65 9.7 | 60 | 65 | 9.7 | * |
| GRB 65 70 9.7 | 65 | 70 | 9.7 | * |
| GRB 70 75 9.7 | 70 | 75 | 9.7 | * |
| GRB 75 80 9.7 | 75 | 80 | 9.7 | * |
| GRB 80 85 9.7 | 80 | 85 | 9.7 | * |
| GRB 85 90 9.7 | 85 | 90 | 9.7 | * |
| GRB 90 95 9.7 | 90 | 95 | 9.7 | * |
| GRB 95 100 9.7 | 95 | 100 | 9.7 | * |
| GRB 100 105 9.7 | 100 | 105 | 9.7 | * |
| GRB 105 110 9.7 | 105 | 110 | 9.7 | * |
| GRB 110 115 9.7 | 110 | 115 | 9.7 | * |
| GRB 115 120 9.7 | 115 | 120 | 9.7 | * |
| GRB 120 125 9.7 | 120 | 125 | 9.7 | * |
| GRB 125 130 9.7 | 125 | 130 | 9.7 | * |
| GRB 130 135 9.7 | 130 | 135 | 9.7 | * |
| GRB 135 140 9.7 | 135 | 140 | 9.7 | * |
| GRB 140 145 9.7 | 140 | 145 | 9.7 | * |
| GRB 145 150 9.7 | 145 | 150 | 9.7 | * |
| GRB 150 155 9.7 | 150 | 155 | 9.7 | * |
| GRB 155 160 9.7 | 155 | 160 | 9.7 | * |
| GRB 160 165 9.7 | 160 | 165 | 9.7 | * |
| GRB 165 170 9.7 | 165 | 170 | 9.7 | * |
| GRB 170 175 9.7 | 170 | 175 | 9.7 | * |
| GRB 175 180 9.7 | 175 | 180 | 9.7 | * |
| GRB 180 185 9.7 | 180 | 185 | 9.7 | * |
| GRB 185 190 9.7 | 185 | 190 | 9.7 | * |
| GRB 40 45 15 | 40 | 45 | 15.0 | * |
| GRB 45 50 15 | 45 | 50 | 15.0 | * |
| GRB 50 55 15 | 50 | 55 | 15.0 | * |
| GRB 55 60 15 | 55 | 60 | 15.0 | * |
| GRB 60 65 15 | 60 | 65 | 15.0 | * |
| GRB 65 70 15 | 65 | 70 | 15.0 | * |
| GRB 70 75 15 | 70 | 75 | 15.0 | * |
| GRB 75 80 15 | 75 | 80 | 15.0 | * |
| GRB 80 85 15 | 80 | 85 | 15.0 | * |
| GRB 85 90 15 | 85 | 90 | 15.0 | * |

* a richiesta - on request

| Codice - Part No. | d ₁ ^{h8} d ^{f8} | D ₁ ^{H9} D ^{H8} | L ^{+0.2} | €uro |
|-------------------|--|--|-------------------|------|
| GRB 90 95 15 | 90 | 95 | 15.0 | * |
| GRB 95 100 15 | 95 | 100 | 15.0 | * |
| GRB 100 105 15 | 100 | 105 | 15.0 | * |
| GRB 105 110 15 | 105 | 110 | 15.0 | * |
| GRB 110 115 15 | 110 | 115 | 15.0 | * |
| GRB 115 120 15 | 115 | 120 | 15.0 | * |
| GRB 120 125 15 | 120 | 125 | 15.0 | * |
| GRB 125 130 15 | 125 | 130 | 15.0 | * |
| GRB 130 135 15 | 130 | 135 | 15.0 | * |
| GRB 135 140 15 | 135 | 140 | 15.0 | * |
| GRB 140 145 15 | 140 | 145 | 15.0 | * |
| GRB 145 150 15 | 145 | 150 | 15.0 | * |
| GRB 150 155 15 | 150 | 155 | 15.0 | * |
| GRB 155 160 15 | 155 | 160 | 15.0 | * |
| GRB 160 165 15 | 160 | 165 | 15.0 | * |
| GRB 165 170 15 | 165 | 170 | 15.0 | * |
| GRB 170 175 15 | 170 | 175 | 15.0 | * |
| GRB 175 180 15 | 175 | 180 | 15.0 | * |
| GRB 180 185 15 | 180 | 185 | 15.0 | * |
| GRB 185 190 15 | 185 | 190 | 15.0 | * |
| GRB 190 195 15 | 190 | 195 | 15.0 | * |
| GRB 195 200 15 | 195 | 200 | 15.0 | * |

MRB NASTRO GUIDA IN PTFE+BRONZO
PTFE+BRONZE GUIDE RING STRIP



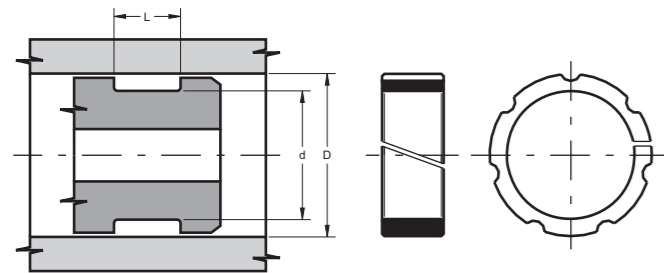
| Codice - Part No. | s | L | A | €uro |
|-------------------|-----|------|-----------|------|
| MRB 15032 | 1.5 | 3.2 | 1.0 ÷ 1.5 | * |
| MRB 15063 | 1.5 | 6.3 | 1.5 ÷ 3.5 | * |
| MRB 15150 | 1.5 | 15.0 | 4.0 ÷ 8.0 | * |
| MRB 15200 | 1.5 | 20.0 | 4.5 ÷ 8.0 | * |

* a richiesta - on request

| Codice - Part No. | s | L | A | €uro |
|-------------------|-----|------|-----------|------|
| MRB 15250 | 1.5 | 25.0 | 6.0 ÷ 8.0 | * |
| MRB 16025 | 1.6 | 2.5 | 1.0 ÷ 1.5 | * |
| MRB 20042 | 2.0 | 4.2 | 1.0 ÷ 2.0 | * |
| MRB 20053 | 2.0 | 5.3 | 1.0 ÷ 2.0 | * |
| MRB 20063 | 2.0 | 6.3 | 1.5 ÷ 3.5 | * |
| MRB 20081 | 2.0 | 8.1 | 2.0 ÷ 5.0 | * |
| MRB 20097 | 2.0 | 9.7 | 2.0 ÷ 5.0 | * |
| MRB 20125 | 2.0 | 12.5 | 2.0 ÷ 6.0 | * |
| MRB 20150 | 2.0 | 15.0 | 4.0 ÷ 8.0 | * |
| MRB 20200 | 2.0 | 20.0 | 4.5 ÷ 8.0 | * |
| MRB 20250 | 2.0 | 25.0 | 6.0 ÷ 8.0 | * |
| MRB 20300 | 2.0 | 30.0 | 6.0 ÷ 9.0 | * |
| MRB 25042 | 2.5 | 4.2 | 1.0 ÷ 2.0 | * |
| MRB 25056 | 2.5 | 5.6 | 1.0 ÷ 2.0 | * |
| MRB 25063 | 2.5 | 6.3 | 1.5 ÷ 3.5 | * |
| MRB 25081 | 2.5 | 8.1 | 2.0 ÷ 5.0 | * |
| MRB 25097 | 2.5 | 9.7 | 2.0 ÷ 6.0 | * |
| MRB 25100 | 2.5 | 10.0 | 2.0 ÷ 5.0 | * |
| MRB 25120 | 2.5 | 12.0 | 2.0 ÷ 6.0 | * |
| MRB 25125 | 2.5 | 12.5 | 2.0 ÷ 6.0 | * |
| MRB 25128 | 2.5 | 12.8 | 2.0 ÷ 6.0 | * |
| MRB 25150 | 2.5 | 15.0 | 4.0 ÷ 8.0 | * |
| MRB 25200 | 2.5 | 20.0 | 4.5 ÷ 8.0 | * |
| MRB 25250 | 2.5 | 25.0 | 6.0 ÷ 8.0 | * |
| MRB 25300 | 2.5 | 30.0 | 6.0 ÷ 9.0 | * |
| MRB 30097 | 3.0 | 9.7 | 2.0 ÷ 6.0 | * |
| MRB 30128 | 3.0 | 12.8 | 2.0 ÷ 6.0 | * |
| MRB 30150 | 3.0 | 15.0 | 4.0 ÷ 8.0 | * |
| MRB 30192 | 3.0 | 19.2 | 4.0 ÷ 8.0 | * |
| MRB 30200 | 3.0 | 20.0 | 4.5 ÷ 8.0 | * |
| MRB 30250 | 3.0 | 25.0 | 6.0 ÷ 8.0 | * |
| MRB 30300 | 3.0 | 30.0 | 6.0 ÷ 9.0 | * |
| MRB 30350 | 3.0 | 35.0 | 6.0 ÷ 9.0 | * |
| MRB 30400 | 3.0 | 40.0 | 6.0 ÷ 9.0 | * |
| MRB 35063 | 3.5 | 6.3 | 1.5 ÷ 3.5 | * |

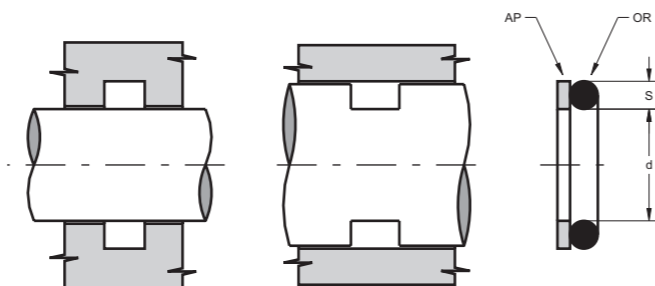
* a richiesta - on request

FSP ANELLO GUIDA PISTONE CON CANALI PISTON GUIDE RING WITH GROOVES



| Codice - Part No. | D ^{H8} | d ^{-0.05} | L ^{+0.5} | €uro |
|-------------------|-----------------|--------------------|-------------------|------|
| FSP 25 16 12 | 25 | 16 | 13.0 | 0,90 |
| FSP 30 20 12 | 30 | 20 | 13.0 | 1,15 |
| FSP 35 25 12 | 35 | 25 | 13.0 | 1,37 |
| FSP 40 30 12 | 40 | 30 | 13.0 | 1,51 |
| FSP 45 35 12 | 45 | 35 | 13.0 | 1,51 |
| FSP 50 40 15 | 50 | 40 | 16.0 | 2,15 |
| FSP 54.5 45 19 | 54.5 | 45 | 20.0 | 2,37 |
| FSP 55 45 15 | 55 | 45 | 16.0 | 2,33 |
| FSP 60 45 15 | 60 | 45 | 16.0 | 2,33 |
| FSP 60 50 15 | 60 | 50 | 16.0 | 2,71 |
| FSP 65 55 15 | 65 | 55 | 16.0 | 2,75 |
| FSP 75 65 15 | 75 | 65 | 16.0 | 3,22 |
| FSP 85 75 15 | 85 | 75 | 16.0 | 3,62 |

OR-AP O-RING E ANELLO ANTIESTRUSIONE O-RING AND ANTIEXTRUSION RING



| Codice - Size N. | Cod. GB | S | d | OR | AP |
|------------------|------------|------|-------|--------|------|
| OR-AP | Other Ref. | | | €uro | €uro |
| 004 | 2007 | 1.78 | 1.78 | 0,0613 | |
| 005 | 2010 | 1.78 | 2.57 | 0,0613 | |
| 006 | 2012 | 1.78 | 2.90 | 0,0613 | |
| 007 | 2015 | 1.78 | 3.68 | 0,0613 | |
| 008 | 2018 | 1.78 | 4.47 | 0,0613 | |
| 009 | 2021 | 1.78 | 5.28 | 0,0613 | |
| 010 | 2025 | 1.78 | 6.07 | 0,0613 | 0,57 |
| 610 | 106 | 1.78 | 6.75 | 0,0613 | 0,57 |
| 011 | 2031 | 1.78 | 7.65 | 0,0613 | 0,57 |
| 611 | 108 | 1.78 | 8.73 | 0,0613 | |
| 012 | 2037 | 1.78 | 9.25 | 0,0613 | 0,57 |
| 013 | 2043 | 1.78 | 10.82 | 0,0837 | 0,57 |
| 806 | 114 | 1.78 | 11.11 | 0,0837 | |
| 014 | 2050 | 1.78 | 12.42 | 0,0837 | 0,57 |
| 015 | 2056 | 1.78 | 14.00 | 0,0837 | 0,60 |
| 016 | 2062 | 1.78 | 15.60 | 0,0837 | 0,60 |
| 017 | 2068 | 1.78 | 17.17 | 0,1004 | 0,60 |
| 018 | 2075 | 1.78 | 18.77 | 0,1004 | 0,63 |
| 019 | 2081 | 1.78 | 20.35 | 0,1004 | 0,63 |
| 020 | 2087 | 1.78 | 21.95 | 0,1004 | 0,63 |
| 021 | 2093 | 1.78 | 23.52 | 0,1227 | |
| 022 | 2100 | 1.78 | 25.12 | 0,1227 | 0,66 |
| 023 | 2106 | 1.78 | 26.70 | 0,1227 | 0,66 |
| 024 | 2112 | 1.78 | 28.30 | 0,1283 | 0,66 |
| 025 | 2118 | 1.78 | 29.87 | 0,1338 | |
| 026 | 2125 | 1.78 | 31.47 | 0,1338 | 0,66 |

| Codice - Size N. | Cod. GB | S | d | OR | AP |
|------------------|------------|------|--------|--------|------|
| OR-AP | Other Ref. | | | €uro | €uro |
| 027 | 2131 | 1.78 | 33.05 | 0,1394 | |
| 028 | 2137 | 1.78 | 34.65 | 0,1394 | |
| 029 | 2150 | 1.78 | 37.82 | 0,1896 | 0,75 |
| 030 | 2162 | 1.78 | 41.00 | 0,2008 | |
| 031 | 2175 | 1.78 | 44.17 | 0,2175 | |
| 032 | 2187 | 1.78 | 47.35 | 0,2621 | 0,83 |
| 033 | 2200 | 1.78 | 50.52 | 0,2621 | |
| 034 | 2212 | 1.78 | 53.70 | 0,2621 | |
| 035 | 2225 | 1.78 | 56.87 | 0,2621 | |
| 036 | 2237 | 1.78 | 60.05 | 0,2789 | |
| 037 | 2250 | 1.78 | 63.22 | 0,2956 | |
| 038 | 2262 | 1.78 | 66.40 | 0,3235 | |
| 039 | 2275 | 1.78 | 69.57 | 0,3235 | |
| 040 | 2287 | 1.78 | 72.75 | 0,3514 | |
| 041 | 2300 | 1.78 | 75.92 | 0,3569 | |
| 042 | 2325 | 1.78 | 82.27 | 0,3626 | |
| 043 | 2350 | 1.78 | 88.62 | 0,3626 | |
| 044 | 2375 | 1.78 | 94.97 | 0,4406 | |
| 045 | 2400 | 1.78 | 101.32 | 0,4406 | |
| 046 | 2425 | 1.78 | 107.67 | 0,6359 | |
| 047 | 2450 | 1.78 | 114.02 | 0,6359 | |
| 048 | 2475 | 1.78 | 120.37 | 0,7641 | |
| 049 | 2500 | 1.78 | 126.72 | 0,8869 | |
| 050 | 2525 | 1.78 | 133.07 | 0,8869 | |
| 107 | - | 2.62 | 5.23 | 0,0837 | |
| 108 | - | 2.62 | 6.02 | 0,0837 | |
| 109 | - | 2.62 | 7.60 | 0,0837 | 0,57 |
| 110 | 3037 | 2.62 | 9.19 | 0,0837 | 0,57 |
| 613 | 112 | 2.62 | 9.92 | 0,0837 | 0,57 |
| 111 | 3043 | 2.62 | 10.77 | 0,0837 | 0,57 |
| 614 | 115 | 2.62 | 11.91 | 0,0837 | 0,57 |
| 112 | 3050 | 2.62 | 12.37 | 0,0837 | 0,57 |
| 615 | 117 | 2.62 | 13.10 | 0,0837 | |
| 113 | 3056 | 2.62 | 13.94 | 0,0837 | 0,57 |
| 616 | 119 | 2.62 | 15.08 | 0,0837 | 0,57 |
| 114 | 3062 | 2.62 | 15.54 | 0,0837 | 0,60 |
| 809 | 121 | 2.62 | 15.88 | 0,1116 | 0,60 |
| 115 | 3068 | 2.62 | 17.12 | 0,1116 | 0,60 |

| Codice - Size N. | Cod. GB | S | d | OR | AP |
|------------------|------------|------|-------|--------|------|
| OR-AP | Other Ref. | | | €uro | €uro |
| 617 | 123 | 2.62 | 17.86 | 0,1116 | 0,60 |
| 116 | 3075 | 2.62 | 18.72 | 0,1116 | 0,60 |
| 117 | 3081 | 2.62 | 20.29 | 0,1116 | 0,60 |
| 812 | 128 | 2.62 | 20.63 | 0,1116 | 0,60 |
| 118 | 3087 | 2.62 | 21.89 | 0,1116 | 0,60 |
| 813 | 130 | 2.62 | 22.22 | 0,1116 | 0,60 |
| 119 | 3093 | 2.62 | 23.47 | 0,1283 | 0,66 |
| 814 | 132 | 2.62 | 23.81 | 0,1283 | 0,66 |
| 120 | 3100 | 2.62 | 25.07 | 0,1283 | 0,66 |
| 121 | 3106 | 2.62 | 26.64 | 0,1283 | 0,69 |
| 122 | 3112 | 2.62 | 28.24 | 0,1338 | 0,69 |
| 123 | 3118 | 2.62 | 29.82 | 0,1338 | 0,69 |
| 124 | 3125 | 2.62 | 31.42 | 0,1338 | 0,69 |
| 125 | 3131 | 2.62 | 32.99 | 0,1338 | 0,75 |
| 126 | 3137 | 2.62 | 34.60 | 0,1338 | 0,75 |
| 127 | 3143 | 2.62 | 36.14 | 0,1506 | 0,75 |
| 128 | 3150 | 2.62 | 37.77 | 0,1506 | 0,75 |
| 129 | 3156 | 2.62 | 39.34 | 0,1506 | 0,75 |
| 130 | 3162 | 2.62 | 40.95 | 0,1840 | 0,75 |
| 131 | 3168 | 2.62 | 42.52 | 0,1840 | 0,75 |
| 132 | 3175 | 2.62 | 44.12 | 0,1840 | 0,75 |
| 133 | 3181 | 2.62 | 45.69 | 0,1953 | 0,83 |
| 134 | 3187 | 2.62 | 47.30 | 0,1953 | 0,83 |
| 135 | 3193 | 2.62 | 48.90 | 0,2120 | 0,83 |
| 136 | 3200 | 2.62 | 50.47 | 0,2120 | 0,83 |
| 137 | 3206 | 2.62 | 52.07 | 0,2510 | 0,83 |
| 138 | 3212 | 2.62 | 53.65 | 0,2510 | 0,83 |
| 139 | 3218 | 2.62 | 55.25 | 0,2510 | 0,83 |
| 140 | 3225 | 2.62 | 56.82 | 0,2510 | 0,83 |
| 141 | 3231 | 2.62 | 58.42 | 0,2510 | 0,92 |
| 142 | 3237 | 2.62 | 60.00 | 0,2733 | 0,92 |
| 143 | 3243 | 2.62 | 61.60 | 0,2733 | 0,92 |
| 144 | 3250 | 2.62 | 63.17 | 0,2845 | 0,92 |
| 145 | 3256 | 2.62 | 64.77 | 0,2845 | 0,92 |
| 146 | 3262 | 2.62 | 66.35 | 0,3235 | 0,92 |
| 147 | 3268 | 2.62 | 67.95 | 0,3235 | 0,92 |
| 148 | 3275 | 2.62 | 69.52 | 0,3235 | 0,92 |
| 149 | 3281 | 2.62 | 71.12 | 0,3235 | 0,92 |
| 150 | 3287 | 2.62 | 72.69 | 0,3626 | 1,06 |



| Codice - Size N. | Cod. GB | S | d | OR | AP |
|------------------|------------|------|--------|--------|------|
| OR-AP | Other Ref. | | | €uro | €uro |
| 151 | 3300 | 2.62 | 75.87 | 0,3626 | 1,12 |
| 152 | 3325 | 2.62 | 82.22 | 0,4072 | 1,15 |
| 153 | 3350 | 2.62 | 88.57 | 0,4406 | 1,25 |
| 154 | 3375 | 2.62 | 94.92 | 0,4852 | 1,28 |
| 155 | 3400 | 2.62 | 101.27 | 0,6135 | |
| 156 | 3425 | 2.62 | 107.62 | 0,7641 | |
| 157 | 3450 | 2.62 | 113.97 | 0,7641 | 1,78 |
| 158 | 3475 | 2.62 | 120.33 | 0,8256 | |
| 159 | 3500 | 2.62 | 126.67 | 0,8702 | |
| 160 | 3525 | 2.62 | 133.00 | 1,0040 | |
| 161 | 3550 | 2.62 | 139.38 | 1,0040 | |
| 162 | 3575 | 2.62 | 145.72 | 1,1434 | |
| 163 | 3600 | 2.62 | 152.07 | 1,2160 | |
| 164 | 3625 | 2.62 | 158.43 | 1,3833 | |
| 165 | 3650 | 2.62 | 164.78 | 1,4502 | |
| 166 | 3675 | 2.62 | 171.13 | 1,5227 | |
| 167 | 3700 | 2.62 | 177.48 | 1,5227 | |
| 168 | 3725 | 2.62 | 183.83 | 1,7626 | |
| 169 | 3750 | 2.62 | 190.18 | 1,7626 | |
| 170 | 3775 | 2.62 | 196.53 | 1,7626 | |
| 171 | 3800 | 2.62 | 202.88 | 1,7626 | |
| 172 | 3825 | 2.62 | 209.23 | 1,9020 | |
| 173 | 3850 | 2.62 | 215.58 | 1,9020 | |
| 174 | 3875 | 2.62 | 221.93 | 2,0694 | |
| 175 | 3900 | 2.62 | 228.28 | 2,0694 | |
| 204 | 4036 | 3.53 | 9.12 | 0,1004 | |
| 205 | 4042 | 3.53 | 10.69 | 0,1004 | |
| 206 | 4050 | 3.53 | 12.29 | 0,1004 | |
| 207 | 4055 | 3.53 | 13.87 | 0,1004 | |
| 208 | 4061 | 3.53 | 15.47 | 0,1004 | |
| 209 | 4067 | 3.53 | 17.04 | 0,1004 | |
| 210 | 4075 | 3.53 | 18.64 | 0,1004 | 0,66 |
| 211 | 4081 | 3.53 | 20.22 | 0,1004 | 0,66 |
| 212 | 4087 | 3.53 | 21.82 | 0,1004 | 0,66 |
| 213 | 4093 | 3.53 | 23.40 | 0,1283 | 0,66 |
| 214 | 4100 | 3.53 | 24.99 | 0,1283 | 0,66 |
| 618 | 134 | 3.53 | 25.80 | 0,1283 | 0,66 |
| 215 | 4106 | 3.53 | 26.58 | 0,1283 | 0,66 |

| Codice - Size N. | Cod. GB | S | d | OR | AP |
|------------------|------------|------|-------|--------|------|
| OR-AP | Other Ref. | | | €uro | €uro |
| 216 | 4112 | 3.53 | 28.17 | 0,1338 | 0,66 |
| 217 | 4118 | 3.53 | 29.75 | 0,1338 | 0,75 |
| 218 | 4125 | 3.53 | 31.34 | 0,1338 | 0,75 |
| 219 | 4131 | 3.53 | 32.92 | 0,1506 | 0,75 |
| 220 | 4137 | 3.53 | 34.52 | 0,1506 | 0,75 |
| 221 | 4143 | 3.53 | 36.09 | 0,1506 | 0,75 |
| 222 | 4150 | 3.53 | 37.69 | 0,1840 | 0,75 |
| 824 | 144 | 3.53 | 39.69 | 0,1840 | 0,75 |
| 223 | 4162 | 3.53 | 40.87 | 0,1840 | 0,75 |
| 825 | 146 | 3.53 | 41.28 | 0,1840 | 0,75 |
| 826 | 147 | 3.53 | 42.86 | 0,1896 | 0,83 |
| 224 | 4175 | 3.53 | 44.04 | 0,2120 | 0,83 |
| 827 | 149 | 3.53 | 44.45 | 0,2120 | 0,83 |
| 828 | 150 | 3.53 | 46.04 | 0,2120 | 0,83 |
| 225 | 4187 | 3.53 | 47.22 | 0,2120 | 0,83 |
| 829 | 152 | 3.53 | 47.63 | 0,2120 | 0,83 |
| 830 | 153 | 3.53 | 49.21 | 0,2120 | 0,83 |
| 226 | 4200 | 3.53 | 50.39 | 0,2120 | 0,92 |
| 831 | 155 | 3.53 | 50.80 | 0,2120 | 0,92 |
| 832 | 156 | 3.53 | 52.39 | 0,2120 | 0,92 |
| 227 | 4212 | 3.53 | 53.57 | 0,2120 | 0,92 |
| 833 | 158 | 3.53 | 53.98 | 0,2231 | 0,92 |
| 834 | 159 | 3.53 | 55.56 | 0,2733 | 0,98 |
| 228 | 4225 | 3.53 | 56.74 | 0,2733 | 0,98 |
| 835 | 161 | 3.53 | 57.15 | 0,2733 | 0,98 |
| 836 | 162 | 3.53 | 58.74 | 0,2845 | 0,98 |
| 229 | 4237 | 3.53 | 59.92 | 0,2845 | 0,98 |
| 837 | 164 | 3.53 | 60.33 | 0,2845 | 0,98 |
| 838 | 165 | 3.53 | 61.91 | 0,2845 | 0,98 |
| 230 | 4250 | 3.53 | 63.09 | 0,2845 | 0,98 |
| 839 | 167 | 3.53 | 63.50 | 0,2845 | 0,98 |
| 840 | 168 | 3.53 | 65.09 | 0,3012 | 0,98 |
| 231 | 4262 | 3.53 | 66.27 | 0,3012 | 0,98 |
| 841 | 170 | 3.53 | 66.68 | 0,3012 | 0,98 |
| 842 | 171 | 3.53 | 68.26 | 0,3347 | 1,03 |
| 232 | 4275 | 3.53 | 69.44 | 0,3347 | 1,03 |
| 843 | 173 | 3.53 | 69.85 | 0,3347 | 1,03 |
| 844 | 174 | 3.53 | 71.44 | 0,3458 | 1,03 |
| 233 | 4287 | 3.53 | 72.62 | 0,3458 | 1,03 |



| Codice - Size N. | Cod. GB | S | d | OR | AP |
|------------------|------------|------|--------|--------|------|
| OR-AP | Other Ref. | | | €uro | €uro |
| 845 | 176 | 3.53 | 73.03 | 0,3458 | 1,03 |
| 846 | 177 | 3.53 | 74.61 | 0,3458 | 1,03 |
| 234 | 4300 | 3.53 | 75.79 | 0,3458 | 1,09 |
| 235 | 4312 | 3.53 | 78.97 | 0,3626 | 1,09 |
| 236 | 4325 | 3.53 | 82.14 | 0,4295 | 1,09 |
| 237 | 4337 | 3.53 | 85.32 | 0,4295 | 1,09 |
| 238 | 4350 | 3.53 | 88.49 | 0,4295 | 1,15 |
| 239 | 4362 | 3.53 | 91.67 | 0,4964 | 1,15 |
| 240 | 4375 | 3.53 | 94.84 | 0,4964 | 1,15 |
| 241 | 4387 | 3.53 | 98.02 | 0,4964 | 1,15 |
| 242 | 4400 | 3.53 | 101.19 | 0,5801 | 1,26 |
| 243 | 4412 | 3.53 | 104.37 | 0,6135 | 1,26 |
| 244 | 4425 | 3.53 | 107.54 | 0,6135 | 1,26 |
| 245 | 4437 | 3.53 | 110.72 | 0,6135 | 1,26 |
| 246 | 4450 | 3.53 | 113.89 | 0,6470 | 1,38 |
| 247 | 4462 | 3.53 | 117.07 | 0,6860 | 1,38 |
| 248 | 4475 | 3.53 | 120.24 | 0,7641 | 1,38 |
| 249 | 4487 | 3.53 | 123.42 | 0,7641 | 1,38 |
| 250 | 4500 | 3.53 | 126.59 | 0,7641 | 1,49 |
| 251 | 4512 | 3.53 | 129.77 | 0,8702 | 1,49 |
| 252 | 4525 | 3.53 | 132.94 | 0,8702 | 1,49 |
| 253 | 4537 | 3.53 | 136.12 | 0,9370 | 1,49 |
| 254 | 4550 | 3.53 | 139.29 | 0,9370 | 1,49 |
| 255 | 4562 | 3.53 | 142.47 | 1,0040 | 1,67 |
| 256 | 4575 | 3.53 | 145.64 | 1,0040 | 1,67 |
| 257 | 4587 | 3.53 | 148.82 | 1,0765 | 1,67 |
| 258 | 4600 | 3.53 | 151.99 | 1,0765 | 1,72 |
| 259 | 4625 | 3.53 | 158.34 | 1,0765 | |
| 260 | 4650 | 3.53 | 164.69 | 1,1434 | |
| 261 | 4675 | 3.53 | 171.04 | 1,3108 | |
| 262 | 4700 | 3.53 | 177.39 | 1,3833 | |
| 263 | 4725 | 3.53 | 183.74 | 1,3833 | |
| 264 | 4750 | 3.53 | 190.09 | 1,5227 | 2,31 |
| 265 | 4775 | 3.53 | 196.44 | 1,5227 | |
| 266 | 4800 | 3.53 | 202.79 | 1,5227 | |
| 267 | 4825 | 3.53 | 209.14 | 1,9020 | |
| 268 | 4850 | 3.53 | 215.49 | 1,9020 | |
| 269 | 4875 | 3.53 | 221.84 | 2,0024 | |
| 270 | 4900 | 3.53 | 228.19 | 2,0024 | |

| Codice - Size N. | Cod. GB | S | d | OR | AP |
|------------------|------------|------|--------|--------|------|
| OR-AP | Other Ref. | | | €uro | €uro |
| 271 | 4925 | 3.53 | 234.54 | 2,1419 | |
| 272 | 4950 | 3.53 | 240.89 | 2,1419 | |
| 273 | 4975 | 3.53 | 247.24 | 2,1419 | |
| 274 | 41000 | 3.53 | 253.59 | 2,2813 | |
| 275 | 41050 | 3.53 | 266.29 | 4,5514 | |
| 276 | 41100 | 3.53 | 278.99 | 4,8303 | |
| 277 | 41150 | 3.53 | 291.69 | 4,9642 | |
| 278 | 41200 | 3.53 | 304.39 | 4,9642 | |
| 279 | 41300 | 3.53 | 329.79 | 5,1706 | |
| 280 | 41400 | 3.53 | 355.19 | 5,1706 | |
| 281 | 41500 | 3.53 | 380.59 | 5,3100 | |
| 282 | 41600 | 3.53 | 405.26 | 7,0400 | |
| 283 | 41700 | 3.53 | 430.66 | 7,5030 | |
| 318 | - | 5.34 | 24.77 | 0,2450 | |
| 319 | - | 5.34 | 26.34 | 0,2450 | |
| 320 | - | 5.34 | 27.97 | 0,2450 | |
| 321 | - | 5.34 | 29.52 | 0,2450 | |
| 322 | - | 5.34 | 31.12 | 0,2450 | |
| 323 | - | 5.34 | 32.69 | 0,2450 | |
| 324 | - | 5.34 | 34.29 | 0,2566 | |
| 325 | 6150 | 5.34 | 37.47 | 0,2566 | 1,03 |
| 326 | 6162 | 5.34 | 40.65 | 0,2566 | 1,03 |
| 327 | 6175 | 5.34 | 43.82 | 0,2733 | 1,03 |
| 328 | 6187 | 5.34 | 47.00 | 0,2733 | 1,03 |
| 329 | 6200 | 5.34 | 50.16 | 0,3235 | 1,03 |
| 330 | 6212 | 5.34 | 53.34 | 0,3235 | 1,03 |
| 331 | 6225 | 5.34 | 56.52 | 0,3514 | 1,03 |
| 332 | 6237 | 5.34 | 59.69 | 0,3514 | 1,03 |
| 333 | 6250 | 5.34 | 62.87 | 0,4239 | 1,09 |
| 334 | 6262 | 5.34 | 66.04 | 0,4239 | 1,09 |
| 335 | 6275 | 5.34 | 69.22 | 0,4406 | 1,09 |
| 336 | 6287 | 5.34 | 72.39 | 0,4741 | 1,09 |
| 619 | 178 | 5.34 | 74.63 | 0,4741 | 1,15 |
| 337 | 6300 | 5.34 | 75.57 | 0,4852 | 1,15 |
| 338 | 6312 | 5.34 | 78.74 | 0,4964 | 1,15 |
| 620 | 181 | 5.34 | 79.77 | 0,4964 | 1,15 |
| 339 | 6325 | 5.34 | 81.92 | 0,5633 | 1,32 |
| 340 | 6337 | 5.34 | 85.09 | 0,5801 | 1,32 |



| Codice - Size N. | Cod. GB | S | d | OR | AP |
|------------------|------------|------|--------|--------|------|
| OR-AP | Other Ref. | | | €uro | €uro |
| 341 | 6350 | 5.34 | 88.27 | 0,6135 | 1,32 |
| 621 | 185 | 5.34 | 89.69 | 0,6135 | 1,32 |
| 342 | 6362 | 5.34 | 91.44 | 0,6135 | 1,44 |
| 343 | 6375 | 5.34 | 94.62 | 0,6135 | 1,44 |
| 344 | 6387 | 5.34 | 97.79 | 0,7307 | 1,44 |
| 622 | 189 | 5.34 | 100.00 | 0,7307 | 1,44 |
| 345 | 6400 | 5.34 | 100.97 | 0,7307 | 1,61 |
| 346 | 6412 | 5.34 | 104.14 | 0,7307 | 1,61 |
| 347 | 6425 | 5.34 | 107.32 | 0,7641 | 1,61 |
| 623 | 193 | 5.34 | 109.50 | 0,7641 | 1,72 |
| 348 | 6437 | 5.34 | 110.50 | 0,7641 | 1,72 |
| 349 | 6450 | 5.34 | 113.67 | 0,7641 | 1,84 |
| 350 | - | 5.34 | 116.84 | 0,8980 | 1,84 |
| 860 | 199 | 5.34 | 117.50 | 0,8980 | 1,84 |
| 351 | - | 5.34 | 120.02 | 0,8980 | 2,07 |
| 861 | 201 | 5.34 | 120.70 | 0,8980 | 2,07 |
| 352 | - | 5.34 | 123.20 | 0,8980 | |
| 862 | 203 | 5.34 | 123.80 | 0,8980 | 2,07 |
| 353 | - | 5.34 | 126.37 | 1,0040 | 2,07 |
| 863 | 206 | 5.34 | 127.00 | 1,0040 | 2,07 |
| 354 | - | 5.34 | 129.54 | 1,0040 | 2,07 |
| 864 | 208 | 5.34 | 130.20 | 1,0040 | 2,07 |
| 355 | - | 5.34 | 132.72 | 1,0765 | |
| 865 | 210 | 5.34 | 133.40 | 1,0765 | 2,18 |
| 356 | - | 5.34 | 135.90 | 1,0765 | 2,18 |
| 866 | 213 | 5.34 | 136.50 | 1,0765 | 2,18 |
| 357 | - | 5.34 | 139.07 | 1,1044 | 2,18 |
| 867 | 215 | 5.34 | 139.70 | 1,3108 | 2,18 |
| 358 | - | 5.34 | 142.24 | 1,3108 | 2,18 |
| 868 | 217 | 5.34 | 142.90 | 1,3108 | 2,18 |
| 359 | - | 5.34 | 145.42 | 1,4502 | |
| 869 | 219 | 5.34 | 146.10 | 1,4502 | |
| 360 | - | 5.34 | 148.60 | 1,4502 | 2,33 |
| 870 | 221 | 5.34 | 149.20 | 1,4502 | 2,33 |
| 361 | 6600 | 5.34 | 151.77 | 1,5227 | 2,40 |
| 362 | 6625 | 5.34 | 158.12 | 1,6231 | 2,47 |
| 363 | 6645 | 5.34 | 164.47 | 1,6956 | 2,76 |
| 364 | 6670 | 5.34 | 170.82 | 1,6956 | 2,87 |
| 365 | 6700 | 5.34 | 177.17 | 1,9020 | 2,96 |

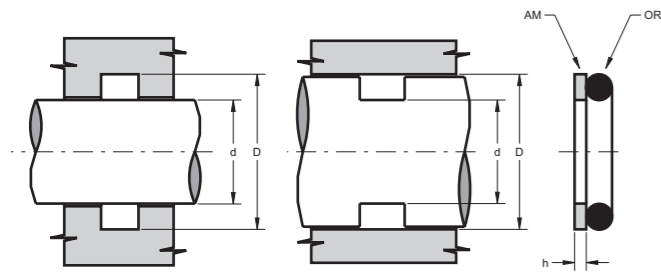
| Codice - Size N. | Cod. GB | S | d | OR | AP |
|------------------|------------|------|--------|---------|------|
| OR-AP | Other Ref. | | | €uro | €uro |
| 366 | 6720 | 5.34 | 183.52 | 1,9020 | |
| 367 | 6745 | 5.34 | 189.87 | 2,1419 | 3,42 |
| 368 | 6775 | 5.34 | 196.22 | 2,2813 | |
| 369 | 6795 | 5.34 | 202.57 | 2,2813 | |
| 370 | 6820 | 5.34 | 208.92 | 2,2813 | 3,71 |
| 371 | 6850 | 5.34 | 215.27 | 2,3817 | |
| 372 | 6870 | 5.34 | 221.62 | 2,3817 | |
| 373 | 6895 | 5.34 | 227.97 | 2,3817 | |
| 374 | 6920 | 5.34 | 234.32 | 2,3817 | |
| 375 | 6945 | 5.34 | 240.67 | 2,4542 | |
| 376 | 6975 | 5.34 | 247.02 | 2,5212 | |
| 377 | 6995 | 5.34 | 253.37 | 2,5212 | |
| 378 | 61050 | 5.34 | 266.07 | 5,0311 | |
| 379 | 61100 | 5.34 | 278.77 | 5,3100 | |
| 380 | 61150 | 5.34 | 291.47 | 5,3769 | |
| 381 | 61200 | 5.34 | 304.17 | 5,5108 | |
| 382 | 61300 | 5.34 | 329.57 | 5,6559 | |
| 383 | 61400 | 5.34 | 354.97 | 5,7227 | |
| 384 | 61500 | 5.34 | 380.37 | 6,0686 | |
| 385 | 61600 | 5.34 | 405.26 | 6,2749 | |
| 386 | 61700 | 5.34 | 430.66 | 6,4758 | |
| 387 | 61800 | 5.34 | 456.06 | 6,8271 | |
| 388 | 61900 | 5.34 | 481.40 | 7,1005 | |
| 389 | 62000 | 5.34 | 506.80 | 7,2399 | |
| 390 | 62100 | 5.34 | 532.20 | 7,5801 | |
| 391 | - | 5.34 | 557.60 | 8,3387 | |
| 392 | - | 5.34 | 582.68 | 9,0973 | |
| 393 | - | 5.34 | 608.08 | 9,8335 | |
| 394 | - | 5.34 | 633.48 | 10,6145 | |
| 395 | - | 5.34 | 658.88 | 11,3786 | |
| 425 | 8450 | 6.99 | 113.67 | 1,0765 | 2,27 |
| 624 | 197 | 6.99 | 114.70 | 1,0765 | |
| 426 | 8462 | 6.99 | 116.84 | 1,0765 | 2,27 |
| 427 | 8475 | 6.99 | 120.02 | 1,0765 | |
| 428 | 8487 | 6.99 | 123.20 | 1,1434 | 2,41 |
| 625 | 204 | 6.99 | 124.60 | 1,1434 | |
| 429 | 8500 | 6.99 | 126.37 | 1,2438 | 2,41 |
| 430 | 8512 | 6.99 | 129.54 | 1,2438 | |



| Codice - Size N. | Cod. GB | S | d | OR | AP |
|------------------|------------|------|--------|--------|------|
| OR-AP | Other Ref. | | | €uro | €uro |
| 431 | 8525 | 6.99 | 132.72 | 1,3833 | 2,61 |
| 626 | 211 | 6.99 | 134.50 | 1,3833 | |
| 432 | 8537 | 6.99 | 135.90 | 1,3833 | 2,61 |
| 433 | 8550 | 6.99 | 139.07 | 1,3833 | 2,61 |
| 434 | 8562 | 6.99 | 142.24 | 1,5227 | |
| 435 | 8575 | 6.99 | 145.42 | 1,5227 | 2,76 |
| 436 | 8587 | 6.99 | 148.60 | 1,6231 | |
| 437 | 8600 | 6.99 | 151.77 | 1,6231 | |
| 872 | 223 | 6.99 | 155.60 | 1,6956 | 2,87 |
| 438 | 8625 | 6.99 | 158.12 | 1,6956 | |
| 627 | 225 | 6.99 | 159.50 | 1,6956 | |
| 874 | 226 | 6.99 | 161.90 | 1,6956 | |
| 439 | 8650 | 6.99 | 164.47 | 1,6956 | |
| 628 | 228 | 6.99 | 166.70 | 1,6956 | 3,02 |
| 876 | 229 | 6.99 | 168.30 | 1,6956 | |
| 440 | 8675 | 6.99 | 170.82 | 1,6956 | |
| 878 | 231 | 6.99 | 174.60 | 1,9020 | |
| 441 | 8700 | 6.99 | 177.17 | 1,9020 | |
| 880 | 233 | 6.99 | 181.00 | 1,9020 | |
| 442 | 8725 | 6.99 | 183.52 | 1,9020 | 3,42 |
| 882 | 235 | 6.99 | 187.30 | 2,0694 | |
| 443 | 8750 | 6.99 | 189.87 | 2,0694 | 3,42 |
| 884 | 237 | 6.99 | 193.70 | 2,0694 | |
| 444 | 8775 | 6.99 | 196.22 | 2,0694 | 3,79 |
| 886 | 239 | 6.99 | 200.00 | 2,0694 | |
| 445 | 8800 | 6.99 | 202.57 | 2,2813 | |
| 674 | 8825 | 6.99 | 208.92 | 2,2813 | |
| 446 | 8850 | 6.99 | 215.27 | 2,2813 | |
| 676 | 8875 | 6.99 | 221.62 | 2,2813 | |
| 447 | 8900 | 6.99 | 227.97 | 2,4542 | |
| 678 | 8925 | 6.99 | 234.32 | 2,4542 | |
| 448 | 8950 | 6.99 | 240.67 | 2,5212 | |
| 680 | 8975 | 6.99 | 247.00 | 2,5936 | |
| 449 | 81000 | 6.99 | 253.30 | 2,7610 | |
| 682 | 81025 | 6.99 | 259.70 | 2,7610 | |
| 450 | 81050 | 6.99 | 266.07 | 2,9004 | |
| 684 | 81075 | 6.99 | 272.40 | 3,2797 | |
| 451 | 81100 | 6.99 | 278.77 | 3,2797 | |
| 686 | 81125 | 6.99 | 285.10 | 3,7929 | |

| Codice - Size N. | Cod. GB | S | d | OR | AP |
|------------------|------------|------|--------|---------|------|
| OR-AP | Other Ref. | | | €uro | €uro |
| 452 | 81150 | 6.99 | 291.47 | 4,8303 | |
| 688 | 81175 | 6.99 | 297.80 | 4,8303 | |
| 453 | 81200 | 6.99 | 304.17 | 5,1706 | |
| 454 | 81250 | 6.99 | 316.87 | 5,7227 | |
| 455 | 81300 | 6.99 | 329.57 | 5,9291 | |
| 456 | 81350 | 6.99 | 342.27 | 5,9291 | |
| 457 | 81400 | 6.99 | 354.97 | 6,0686 | |
| 458 | 81450 | 6.99 | 367.67 | 6,4758 | |
| 459 | 81500 | 6.99 | 380.37 | 6,6877 | |
| 460 | 81550 | 6.99 | 393.07 | 7,2399 | |
| 461 | 81600 | 6.99 | 405.26 | 7,5801 | |
| 462 | 81650 | 6.99 | 417.96 | 8,3387 | |
| 463 | 81700 | 6.99 | 430.66 | 8,7571 | |
| 464 | 81750 | 6.99 | 443.36 | 9,0973 | |
| 465 | 81800 | 6.99 | 456.06 | 9,5157 | |
| 466 | 81850 | 6.99 | 468.76 | 9,8559 | |
| 467 | 81900 | 6.99 | 481.46 | 10,6145 | |
| 468 | 81950 | 6.99 | 494.16 | 11,3786 | |
| 469 | 82000 | 6.99 | 506.86 | 12,1315 | |
| 470 | 82100 | 6.99 | 532.26 | 12,8901 | |
| 471 | 82200 | 6.99 | 557.66 | 13,6487 | |
| 472 | 82300 | 6.99 | 582.68 | 14,7531 | |

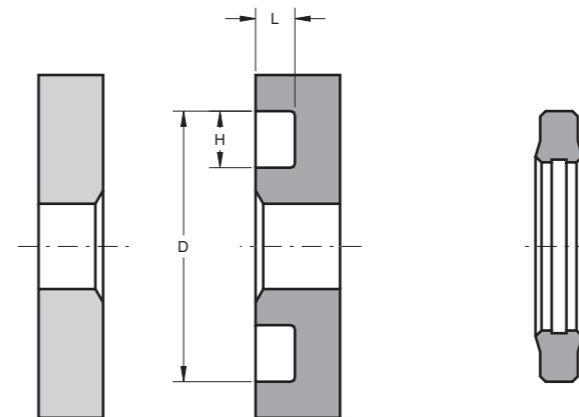
AM ANELLO ANTIESTRUSIONE SERIE METRICA ANTIEXTRUSION RING METRIC SERIES



| Codice - Part No. | d | D | h | €uro |
|-------------------|------|------|------|------|
| AM 3.8 6.5 1 | 3.8 | 6.5 | 1.0 | 0,37 |
| AM 6 10.5 0.8 | 6 | 10.5 | 0.8 | 0,37 |
| AM 10 14 1.3 | 10 | 14 | 1.3 | 0,37 |
| AM 12 16 1.3 | 12 | 16 | 1.3 | 0,37 |
| AM 16 20 1.3 | 16 | 20 | 1.3 | 0,37 |
| AM 20 25 1.3 | 20 | 25 | 1.3 | 0,43 |
| AM 25 30 1.3 | 25 | 30 | 1.3 | 0,46 |
| AM 30 35 1.3 | 30 | 35 | 1.3 | 0,49 |
| AM 35 40 1.3 | 35 | 40 | 1.3 | 0,52 |
| AM 36 41 1.75 | 36 | 41 | 1.75 | 0,53 |
| AM 40 45 1.3 | 40 | 45 | 1.3 | 0,55 |
| AM 45 50 1.3 | 45 | 50 | 1.3 | 0,57 |
| AM 50 55 1.3 | 50 | 55 | 1.3 | 0,60 |
| AM 50 60 1.7 | 50 | 60 | 1.7 | 0,69 |
| AM 54 59 1.4 | 54 | 59 | 1.4 | 0,63 |
| AM 55 60 1.3 | 55 | 60 | 1.3 | 0,63 |
| AM 56.5 61 1.4 | 56.5 | 61 | 1.4 | 0,66 |
| AM 58 63 1.3 | 58 | 63 | 1.3 | 0,66 |
| AM 60 65 1.3 | 60 | 65 | 1.3 | 0,69 |
| AM 60 67 1.5 | 60 | 67 | 1.5 | 0,73 |
| AM 60 70 1.7 | 60 | 70 | 1.7 | 0,78 |
| AM 65 70 1.3 | 65 | 70 | 1.3 | 0,72 |
| AM 65 75 1.7 | 65 | 75 | 1.7 | 0,83 |
| AM 66 71 1.5 | 66 | 71 | 1.5 | 0,83 |
| AM 70 75 1.3 | 70 | 75 | 1.3 | 0,75 |
| AM 70 77 1.5 | 70 | 77 | 1.5 | 0,80 |
| AM 70 80 1.7 | 70 | 80 | 1.7 | 0,89 |
| AM 74 80 1.5 | 74 | 80 | 1.5 | 0,78 |

| Codice - Part No. | d | D | h | €uro |
|-------------------|------|-----|-----|------|
| AM 74.1 81 1.5 | 74.1 | 81 | 1.5 | 0,78 |
| AM 75 80 1.3 | 75 | 80 | 1.3 | 0,78 |
| AM 75 85 1.7 | 75 | 85 | 1.7 | 0,92 |
| AM 80 85 1.3 | 80 | 85 | 1.3 | 0,89 |
| AM 80 87 1.5 | 80 | 87 | 1.5 | 0,95 |
| AM 80 90 1.7 | 80 | 90 | 1.7 | 1,01 |
| AM 83 90 1.5 | 83 | 90 | 1.5 | 0,89 |
| AM 85 90 1.3 | 85 | 90 | 1.3 | 0,89 |
| AM 85 95 1.7 | 85 | 95 | 1.7 | 1,03 |
| AM 89.4 100 2.5 | 89.4 | 100 | 2.5 | 1,55 |
| AM 90 95 1.3 | 90 | 95 | 1.3 | 0,92 |
| AM 90 100 1.7 | 90 | 100 | 1.7 | 1,06 |
| AM 94.5 101 1.5 | 94.5 | 101 | 1.5 | 0,98 |
| AM 95 100 1.3 | 95 | 100 | 1.3 | 0,98 |
| AM 95 105 1.7 | 95 | 105 | 1.7 | 1,09 |
| AM 100 105 1.3 | 100 | 105 | 1.3 | 1,03 |
| AM 100 110 1.7 | 100 | 110 | 1.7 | 1,15 |
| AM 105 110 1.3 | 105 | 110 | 1.3 | 1,06 |
| AM 105 115 1.7 | 105 | 115 | 1.7 | 1,24 |
| AM 110 115 1.3 | 110 | 115 | 1.3 | 1,09 |
| AM 110 120 1.7 | 110 | 120 | 1.7 | 1,29 |
| AM 115 120 1.3 | 115 | 120 | 1.3 | 1,15 |
| AM 115 125 1.7 | 115 | 125 | 1.7 | 1,32 |
| AM 120 125 1.3 | 120 | 125 | 1.3 | 1,26 |
| AM 120 130 1.7 | 120 | 130 | 1.7 | 1,38 |
| AM 125 130 1.3 | 125 | 130 | 1.3 | 1,32 |
| AM 125 135 1.7 | 125 | 135 | 1.7 | 1,44 |
| AM 130 140 1.7 | 130 | 140 | 1.7 | 1,47 |
| AM 135 145 1.7 | 135 | 145 | 1.7 | 1,55 |
| AM 140 150 1.7 | 140 | 150 | 1.7 | 1,67 |
| AM 142 151 1.8 | 142 | 151 | 1.8 | 1,69 |
| AM 145 155 1.7 | 145 | 155 | 1.7 | 1,72 |
| AM 150 160 1.7 | 150 | 160 | 1.7 | 1,78 |
| AM 152 161 1.8 | 152 | 161 | 1.8 | 1,84 |

PFS TENUTA PER FLANGIA SAE SEAL FOR SAE FLANGE

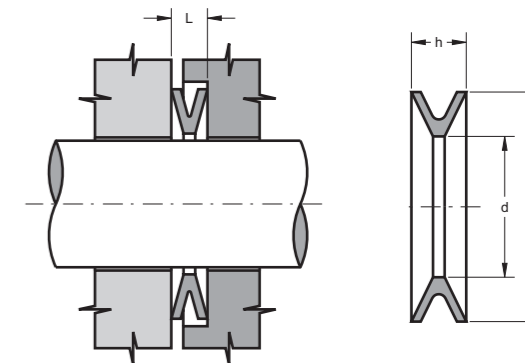


| Codice - Part No. | D ±0.1 | H ±0.25 | L ±0.07 | €uro |
|-------------------|--------|---------|---------|------|
| PFS 12.2 19.2 2.2 | 19.2 | 3.5 | 2.20 | 0,66 |
| PFS 15.4 22.4 2.2 | 22.4 | 3.5 | 2.20 | 0,66 |

Misure in pollici - Inch sizes

| | | | | |
|------------|------|-----|------|------|
| PFS 1/2" | 25.4 | 4.2 | 2.85 | 0,69 |
| PFS 3/4" | 31.8 | 4.2 | 2.85 | 0,73 |
| PFS 1" | 39.6 | 4.2 | 2.85 | 0,89 |
| PFS 1 1/4" | 44.5 | 4.2 | 2.85 | 0,95 |
| PFS 1 1/2" | 53.7 | 4.2 | 2.85 | 1,18 |
| PFS 2" | 63.4 | 4.2 | 2.85 | 1,30 |

DV TENUTA FRONTALE V - RING



| Codice - Part No. | D | d | h | L | €uro |
|-------------------|-------|-------|------|-----|------|
| DV 27.5 | 27.5 | 22.5 | 4.0 | 2.0 | 1,48 |
| DV 32 | 32.0 | 26.0 | 4.0 | 2.0 | 1,48 |
| DV 38.5 | 38.5 | 31.0 | 4.5 | 2.0 | 1,77 |
| DV 43 | 43.0 | 36.0 | 5.0 | 2.0 | 1,95 |
| DV 51 | 51.0 | 42.0 | 6.0 | 2.5 | 2,22 |
| DV 57.5 | 57.5 | 47.5 | 7.0 | 3.0 | 2,36 |
| DV 64 | 64.0 | 54.0 | 7.0 | 3.5 | 2,51 |
| DV 71 | 71.0 | 59.0 | 7.0 | 3.5 | 2,69 |
| DV 80 | 80.0 | 65.0 | 7.0 | 3.5 | 2,78 |
| DV 86 | 86.0 | 71.0 | 9.0 | 4.0 | 2,96 |
| DV 86/A | 86.0 | 70.0 | 9.0 | 4.0 | 2,96 |
| DV 88.8 | 88.8 | 70.0 | 8.0 | 3.5 | 2,96 |
| DV 100 | 100.0 | 82.0 | 9.0 | 4.5 | 3,52 |
| DV 105 | 105.0 | 90.0 | 9.0 | 4.5 | 3,64 |
| DV 162 | 162.0 | 137.0 | 15.0 | 7.5 | 7,54 |
| DV 186 | 186.0 | 160.0 | 16.0 | 7.5 | 8,57 |

