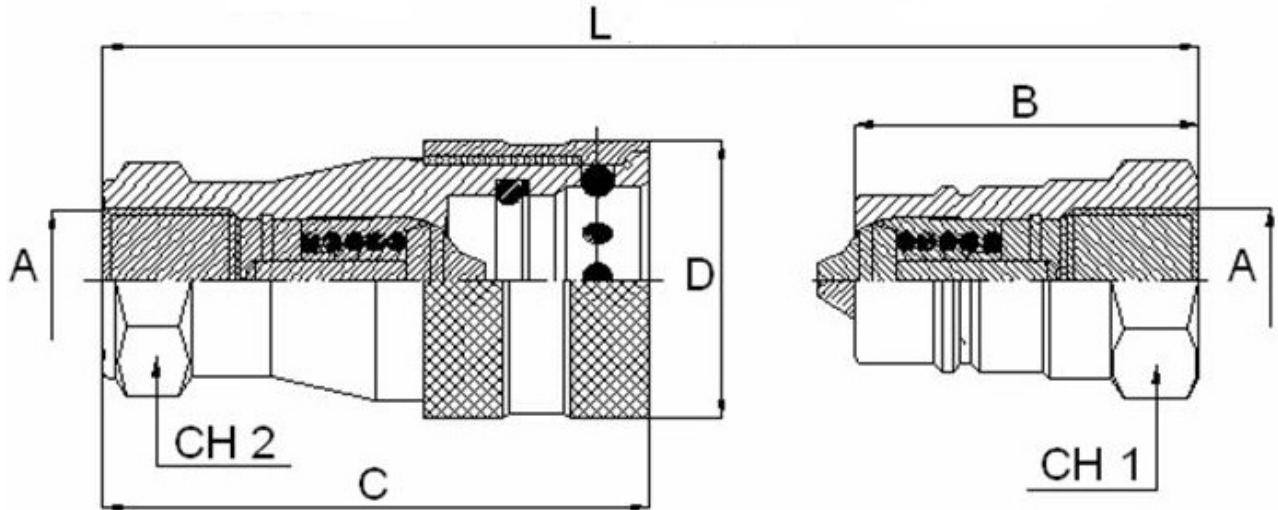


SERIE ISO A *ISO A SERIES*

ISO 7241/A



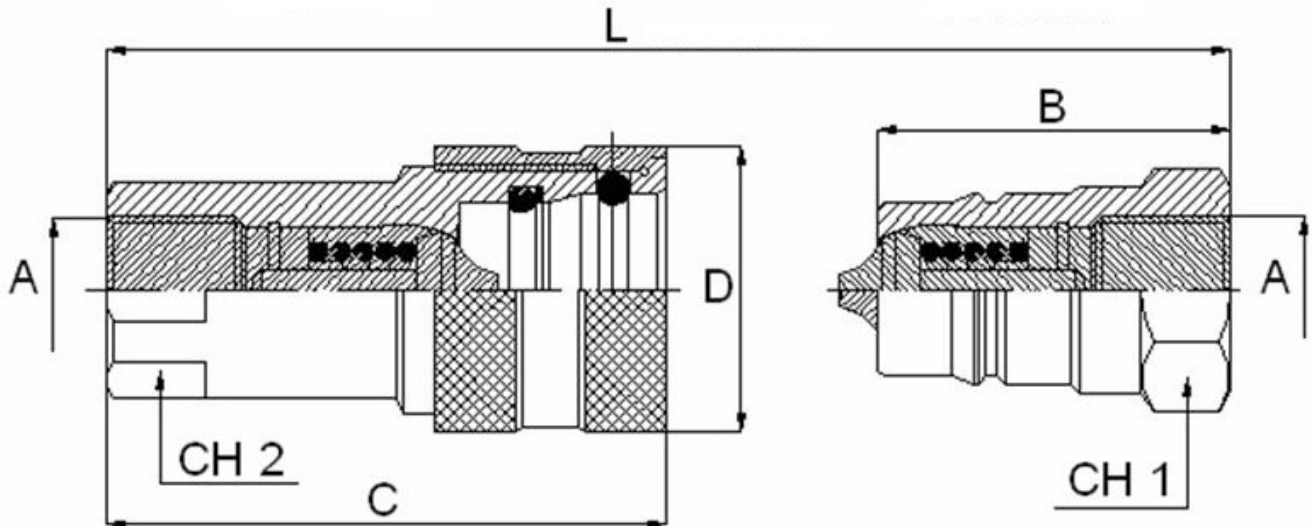
BASE	Ø		CODE			Ø A		B		C		Ø D		L		CH 1		CH 2		max W.P.		min B.P.	
	mm	inch	MALE	FEMALE	COMPLETE	mm	inch	mm	inch	mm	inch	mm	inch	mm	inch	mm	inch	mm	inch	bar	psi	bar	psi
04	6	1/4"	AM1004	AF1004	AC1004	1/4" BSP	34,5	1,36	47	1,85	25	0,98	68	2,68	19	0,75	19	0,75	350	5075	1400	20300	
			AM1504	AF1504	AC1504	1/4" NPTF																	
06	10	3/8"	AM1006	AF1006	AC1006	3/8" BSP	39	1,54	58	2,28	31	1,22	80	3,15	22	0,87	24	0,94	315	4568	1260	18270	
			AM1506	AF1506	AC1506	3/8" NPTF																	
08	12	1/2"	AM1008	AF1008	AC1008	1/2" BSP	45	1,77	67	2,64	38	1,50	91	3,58	27	1,06	30	1,18	250	3625	1000	14500	
			AM1508	AF1508	AC1508	1/2" NPTF																	
12	20	3/4"	AM1012	AF1012	AC1012	3/4" BSP	54,5	2,15	81	3,19	46	1,81	109	4,29	34	1,34	38	1,50	250	3625	1000	14500	
			AM1512	AF1512	AC1512	3/4" NPTF																	
16	25	1"	AM1016	AF1016	AC1016	1" BSP	62	2,44	96	3,78	55	2,17	124	4,88	41	1,61	45	1,77	230	3335	920	13340	
			AM1516	AF1516	AC1516	1" NPTF																	
20	32	1.1/4"	AM1020	AF1020	AC1020	1.1/4" BSP	75	2,95	117	4,61	65	2,56	151	5,94	55	2,17	50	1,97	230	3335	920	13340	
			AM1520	AF1520	AC1520	1.1/4" NPTF																	
24	38	1.1/2"	AM1024	AF1024	AC1024	1.1/2" BSP	85	3,35	123	4,84	80	3,15	171	6,73	60	2,36	60	2,36	190	2755	760	11020	
			AM1524	AF1524	AC1524	1.1/2" NPTF																	
32	50	2"	AM1032	AF1032	AC1032	2" BSP	100	3,94	160	6,30	100	3,94	201	7,91	75	2,95	75	2,95	130	1885	520	7540	
			AM1532	AF1532	AC1532	2" NPTF																	

- . prestazioni e intercambiabilità secondo ISO 7241 – A
- . materiale: acciaio al carbonio. guarnizioni in gomma NBR resistente olio
- . back-up guarnizioni in PTFE
- . temperatura di esercizio: -20 ° C / +100 ° C

- . *performances and interchangeability according to ISO 7241 – A*
- . *material: carbon steel*
- . *standard seals in NBR oil resistant rubber*
- . *back-up seals in PTFE*
- . *working temperature: -20°C / +100°C*

SERIE ISO B *ISO B SERIES*

ISO 7241/B



BASE	Ø		CODE			Ø A		B		C		Ø D		L		CH 1		CH 2		max W.P.		min B.P.	
	mm	inch	MALE	FEMALE	COMPLETE	mm	inch	mm	inch	mm	inch	mm	inch	mm	inch	mm	inch	mm	inch	bar	psi	bar	psi
04	6	1/4"	BM1004	BF1004	BC1004	1/4" BSP		34,5	1,36	57	2,24	27	1,06	70,5	2,78	19	0,75	19	0,75	350	5075	1400	20300
			BM1504	BF1504	BC1504	1/4" NPTF																	
06	10	3/8"	BM1006	BF1006	BC1006	3/8" BSP		42	1,65	66	2,60	34	1,34	82,5	3,25	24	0,94	24	0,94	300	4350	1200	17400
			BM1506	BF1506	BC1506	3/8" NPTF																	
08	12	1/2"	BM1008	BF1008	BC1008	1/2" BSP		46	1,81	74	2,91	42	1,65	92,5	3,64	27	1,06	27	1,06	280	4060	1120	16240
			BM1508	BF1508	BC1508	1/2" NPTF																	
12	20	3/4"	BM1012	BF1012	BC1012	3/4" BSP		55	2,17	90	3,54	50	1,97	110	4,33	36	1,42	36	1,42	180	2610	720	10440
			BM1512	BF1512	BC1512	3/4" NPTF																	
16	25	1"	BM1016	BF1016	BC1016	1" BSP		66	2,60	106	4,17	60	2,36	133	5,24	41	1,61	41	1,61	150	2175	600	8700
			BM1516	BF1516	BC1516	1" NPTF																	

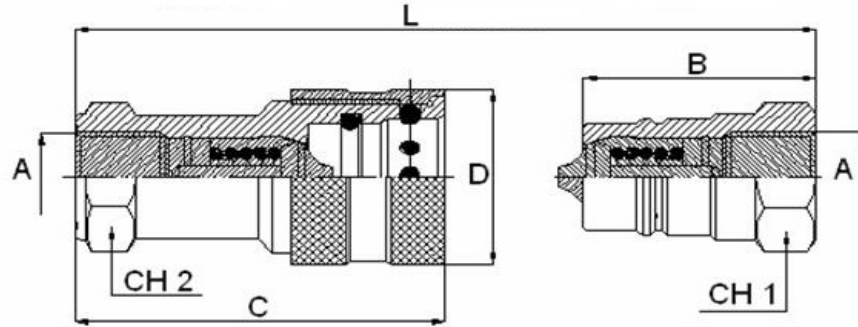
- . prestazioni e intercambiabilità secondo ISO 7241 – A
- . materiale: acciaio al carbonio. guarnizioni in gomma NBR resistente olio
- . back-up guarnizioni in PTFE
- . temperatura di esercizio: -20 ° C / +100 ° C

- . *performances and interchangeability according to ISO 7241 – A*
- . *material: carbon steel*
- . *standard seals in NBR oil resistant rubber*
- . *back-up seals in PTFE*
- . *working temperature: -20°C / +100°C*

SERIE N N SERIES

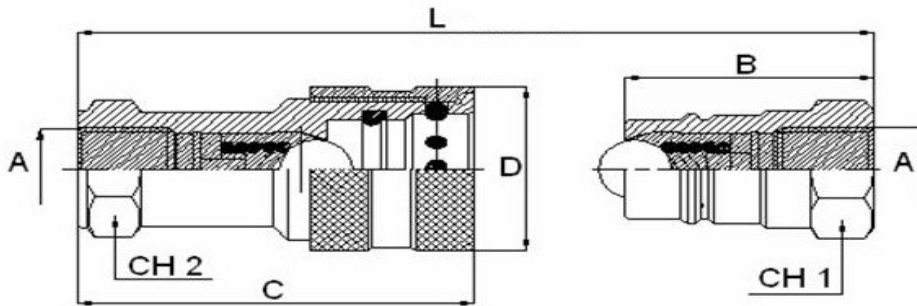
Interscambio agricolo: il disegno di accoppiamento più importante per applicazioni
Agricultural interchange: the most popular coupling design for agricultural applications

Valvola a fungo *Poppet valve*



BASE	Ø		CODE			Ø A		B		C		Ø D		L		CH 1		CH 2		max W.P.		min B.P.	
	mm	inch	MALE	FEMALE	COMPLETE	mm	inch	mm	inch	mm	inch	mm	inch	mm	inch	mm	inch	mm	inch	bar	psi	bar	psi
04	6	1/4"	NM1004	NF1004	NC1004	1/4" BSP		35	1,38	52	2,05	27	1,06	70,5	2,78	19	0,75	21	0,83	350	5075	1400	20300
			NM1504	NF1504	NC1504	1/4" NPTF																	
06	10	3/8"	NM1006	NF1006	NC1006	3/8" BSP		39	1,54	61	2,40	35	1,38	80	3,15	22	0,87	27	1,06	315	4568	1260	18270
			NM1506	NF1506	NC1506	3/8" NPTF																	
08	12	1/2"	AM1008	NF1008	NC1008	1/2" BSP		45	1,77	67	2,64	38	1,50	92	3,62	27	1,06	30	1,18	250	3625	1000	14500
			AM1508	NF1508	NC1508	1/2" NPTF																	
12	20	3/4"	NM1012	NF1012	AGC1012	3/4" BSP		53	2,09	82	3,23	46	1,81	106,5	4,19	34	1,34	38	1,50	250	3625	1000	14500
			NM1512	NF1512	NC1512	3/4" NPTF																	
16	25	1"	NM1016	NF1016	NC1016	1" BSP		58	2,28	95,5	3,76	55	2,17	120	4,72	41	1,61	45	1,77	230	3335	920	13340
			NM1516	NF1516	NC1516	1" NPTF																	

Valvola a sfera *Ball valve*

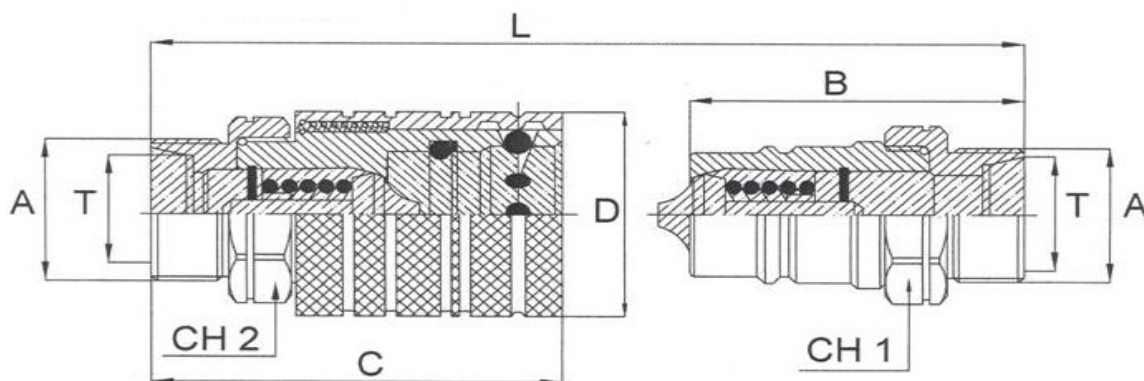


BASE	Ø		CODE			Ø A		B		C		Ø D		L		CH 1		CH 2		max W.P.		min B.P.	
	mm	inch	MALE	FEMALE	COMPLETE	mm	inch	mm	inch	mm	inch	mm	inch	mm	inch	mm	inch	mm	inch	bar	psi	bar	psi
04	6	1/4"	NM2004	NF2004	NC2004	1/4" BSP		35	1,38	52	2,05	27	1,06	70,5	2,78	19	0,75	21	0,83	350	5075	1400	20300
			NM2504	NF2504	NC2504	1/4" NPTF																	
06	10	3/8"	NM2006	NF2006	NC2006	3/8" BSP		39	1,54	61	2,40	35	1,38	80	3,15	22	0,87	27	1,06	315	4568	1260	18270
			NM2506	NF2506	NC2506	3/8" NPTF																	
08	12	1/2"	AM2008	AF2008	AC2008	1/2" BSP		45	1,77	67	2,64	38	1,50	92	3,62	27	1,06	30	1,18	250	3625	1000	14500
			AM2508	AF2508	AC2508	1/2" NPTF																	
12	20	3/4"	NM2012	NF2012	NC2012	3/4" BSP		53	2,09	82	3,23	46	1,81	106,5	4,19	34	1,34	38	1,50	250	3625	1000	14500
			NM2512	NF2512	NC2512	3/4" NPTF																	
16	25	1"	NM2016	NF2016	NC2016	1" BSP		58	2,28	95,5	3,76	55	2,17	120	4,72	41	1,61	45	1,77	230	3335	920	13340
			NM2516	NF2516	NC2516	1" NPTF																	

- . Disponibile sia con fungo e la valvola a sfera
- . materiale: acciaio al carbonio
- . guarnizioni in gomma NBR resistente olio
- . back-up guarnizioni in PTFE
- . temperatura di esercizio: -20 ° C / +100 ° C

- . Available with both poppet and ball valve
- . material: carbon steel
- . standard seals in NBR oil resistant rubber
- . back-up seals in PTFE
- . working temperature: -20°C / +100°C

SERIE P P SERIES – PUSH PULL



Filetto metrico in accordo con DIN 2353 L

Metric thread according to DIN 2353 L

BASE	Ø		CODE			Ø A		B		C		Ø D		L		CH 1		CH 2		max W.P.		min B.P.	
	mm	inch	MALE	FEMALE	COMPLETE	mm	inch	mm	inch	mm	inch	mm	inch	mm	inch	mm	inch	bar	psi	bar	psi		
08	12	1/2"	AM1108L	PF1108L	PC1108L	M14x1,5	58	2,28	78	3,07	38	1,50	115	4,53	27	1,06	27	1,06	250	3625	1000	14500	
08	12	1/2"	AM1110L	PF1110L	PC1110L	M16x1,5	58	2,28	78	3,07	38	1,50	115	4,53	27	1,06	27	1,06	250	3625	1000	14500	
08	12	1/2"	AM1112L	PF1112L	PC1112L	M18x1,5	58	2,28	78	3,07	38	1,50	115	4,53	27	1,06	27	1,06	250	3625	1000	14500	
08	12	1/2"	AM1115L	PF1115L	PC1115L	M22x1,5	60	2,36	80	3,15	38	1,50	119	4,69	27	1,06	27	1,06	250	3625	1000	14500	
08	12	1/2"	AM1118L	PF1118L	PC1118L	M26x1,5	60	2,36	80	3,15	38	1,50	119	4,69	27	1,06	27	1,06	250	3625	1000	14500	

Filetto metrico in accordo con DIN 2353 S

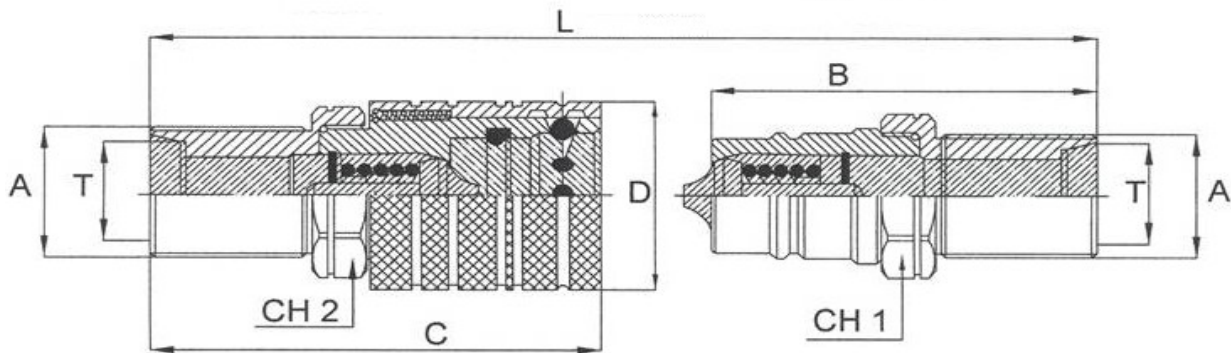
Metric thread according to DIN 2353 S

BASE	Ø		CODE			Ø A		B		C		Ø D		L		CH 1		CH 2		max W.P.		burst Press.	
	mm	inch	MALE	FEMALE	COMPLETE	mm	inch	mm	inch	mm	inch	mm	inch	mm	inch	mm	inch	bar	psi	bar	psi		
08	12	1/2"	AM1208S	PF1208S	PC1208S	M16x1,5	58	2,28	78	3,07	38	1,50	115	4,53	27	1,06	27	1,06	250	3625	1000	14500	
08	12	1/2"	AM1210S	PF1210S	PC1210S	M18x1,5	58	2,28	78	3,07	38	1,50	115	4,53	27	1,06	27	1,06	250	3625	1000	14500	
08	12	1/2"	AM1212S	PF1212S	PC1212S	M20x1,5	58	2,28	78	3,07	38	1,50	115	4,53	27	1,06	27	1,06	250	3625	1000	14500	
08	12	1/2"	AM1214S	PF1214S	PC1214S	M22x1,5	60	2,36	80	3,15	38	1,50	119	4,69	27	1,06	27	1,06	250	3625	1000	14500	
08	12	1/2"	AM1216S	PF1216S	PC1216S	M24x1,5	60	2,36	80	3,15	38	1,50	119	4,69	27	1,06	27	1,06	250	3625	1000	14500	
08	12	1/2"	AM1220S	PF1220S	PC1220S	M30x2	62	2,44	82	3,23	38	1,50	123	4,84	30	1,18	30	1,18	250	3625	1000	14500	

- . facile da collegare e scollegare con una sola mano
- . intercambiabilità secondo ISO 7241 - A e ISO 5675
- . materiale: acciaio al carbonio
- . guarnizioni in gomma NBR resistente olio
- . back-up guarnizioni in PTFE
- . temperatura di esercizio: -20 °C / +100 °C

- . *easy to connect and disconnect with one hand only*
- . *interchangeability according to ISO 7241 - A and ISO 5675*
- . *material: carbon steel*
- . *standard seals in NBR oil resistant rubber*
- . *back-up seals in PTFE*
- . *working temperature: -20°C / +100°C*

SERIE P P SERIES – PUSH PULL



Filetto metrico - secondo DIN 2353 L - PASSA PARETE

Metric thread - according to DIN 2353 L - BULK-HEAD

BASE	Ø		CODE			Ø A		B		C		Ø D		L		CH 1		CH 2		max W.P.		min B.P.	
	mm	inch	MALE	FEMALE	COMPLETE	mm	inch	mm	inch	mm	inch	mm	inch	mm	inch	mm	inch	bar	psi	bar	psi		
08	12	1/2"	AM1308L	PF1308L	PC1308L	M14x1,5	72	2,83	92	3,62	38	1,50	143	5,63	27	1,06	27	1,06	250	3625	1000	14500	
08	12	1/2"	AM1310L	PF1310L	PC1310L	M16x1,5	72	2,83	92	3,62	38	1,50	143	5,63	27	1,06	27	1,06	250	3625	1000	14500	
08	12	1/2"	AM1312L	PF1312L	PC1312L	M18x1,5	72	2,83	92	3,62	38	1,50	143	5,63	27	1,06	27	1,06	250	3625	1000	14500	
08	12	1/2"	AM1315L	PF1315L	PC1315L	M22x1,5	73	2,87	93	3,66	38	1,50	145	5,71	27	1,06	27	1,06	250	3625	1000	14500	
08	12	1/2"	AM1318L	PF1318L	PC1318L	M26x1,5	73	2,87	93	3,66	38	1,50	145	5,71	27	1,06	27	1,06	250	3625	1000	14500	

Filetto metrico - secondo DIN 2353 S - PASSA PARETE

Metric thread - according to DIN 2353 S – BULK-HEAD

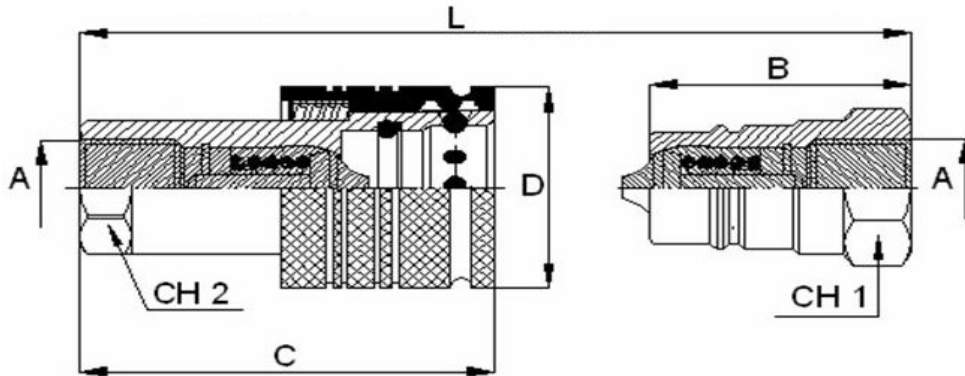
BASE	Ø		CODE			Ø A		B		C		Ø D		L		CH 1		CH 2		max W.P.		min B.P.	
	mm	inch	MALE	FEMALE	COMPLETE	mm	inch	mm	inch	mm	inch	mm	inch	mm	inch	mm	inch	bar	psi	bar	psi		
08	12	1/2"	AM1408S	PF1408S	PC1408S	M16x1,5	73	2,87	93	3,66	38	1,50	145	5,71	27	1,06	27	1,06	250	3625	1000	14500	
08	12	1/2"	AM1410S	PF1410S	PC1410S	M18x1,5	73	2,87	93	3,66	38	1,50	145	5,71	27	1,06	27	1,06	250	3625	1000	14500	
08	12	1/2"	AM1412S	PF1412S	PC1412S	M20x1,5	73	2,87	93	3,66	38	1,50	145	5,71	27	1,06	27	1,06	250	3625	1000	14500	
08	12	1/2"	AM1414S	PF1414S	PC1414S	M22x1,5	75	2,95	95	3,74	38	1,50	149	5,87	27	1,06	27	1,06	250	3625	1000	14500	
08	12	1/2"	AM1416S	PF1416S	PC1416S	M24x1,5	75	2,95	95	3,74	38	1,50	149	5,87	27	1,06	27	1,06	250	3625	1000	14500	
08	12	1/2"	AM1420S	PF1420S	PC1420S	M30x2	78	3,07	98	3,86	38	1,50	155	6,10	30	1,18	30	1,18	250	3625	1000	14500	

- . facile da collegare e scollegare con una sola mano
- . intercambiabilità secondo ISO 7241 - A e ISO 5675
- . materiale: acciaio al carbonio
- . guarnizioni in gomma NBR resistente olio
- . back-up guarnizioni in PTFE
- . temperatura di esercizio: -20 ° C / +100 ° C

- . *easy to connect and disconnect with one hand only*
- . *interchangeability according to ISO 7241 - A and ISO 5675*
- . *material: carbon steel*
- . *standard seals in NBR oil resistant rubber*
- . *back-up seals in PTFE*
- . *working temperature: -20°C / +100°C*

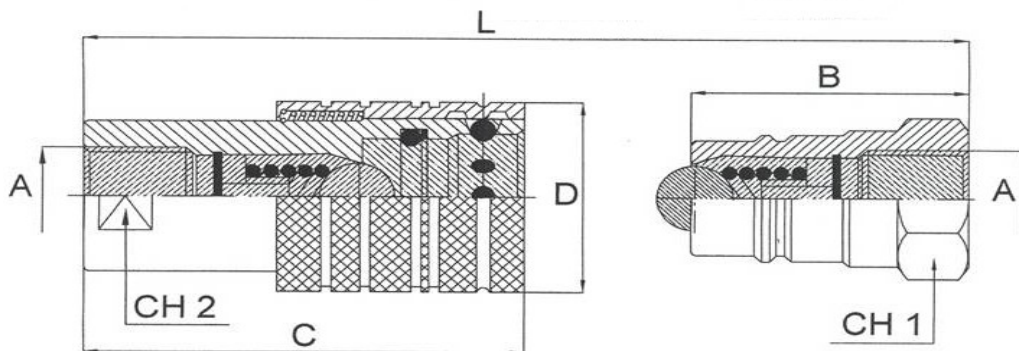
SERIE PP *PP SERIES – PUSH PULL*

Valvola a fungo *Poppet valve*



BASE	Ø		CODE			Ø A		B		C		Ø D		L		CH 1		CH 2		max W.P.		min B.P.	
	mm	inch	MALE	FEMALE	COMPLETE	mm	inch	mm	inch	mm	inch	mm	inch	mm	inch	mm	inch	bar	psi	bar	psi		
08	12	1/2"	AM1008	PF1008	PC1008	1/2" BSP	73	2,87	93	3,66	38	1,50	145	5,71	27	1,06	27	1,06	250	3625	1000	14500	
			AM1508	PF1508	PC1508																		1/2" NPT

Valvola a sfera *Ball valve*

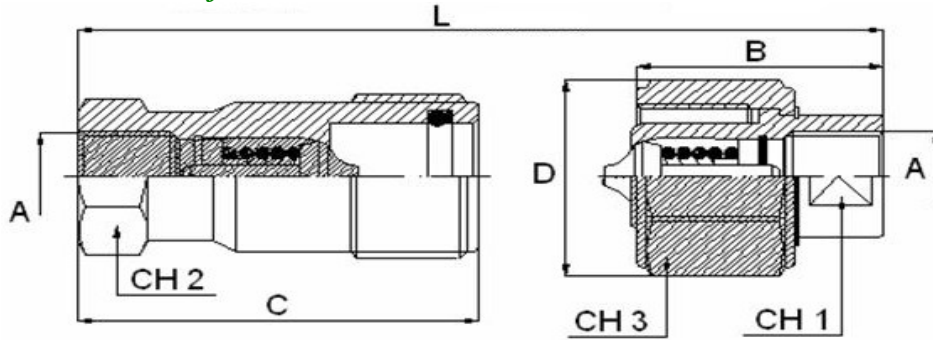


BASE	Ø		CODE			Ø A		B		C		Ø D		L		CH 1		CH 2		max W.P.		min B.P.	
	mm	inch	MALE	FEMALE	COMPLETE	mm	inch	mm	inch	mm	inch	mm	inch	mm	inch	mm	inch	bar	psi	bar	psi		
08	12	1/2"	AM2008	PF2008	PC2008		73	2,87	93	3,66	38	1,50	145	5,71	27	1,06	27	1,06	250	3625	1000	14500	
			AM2508	PF2508	PC2508																		

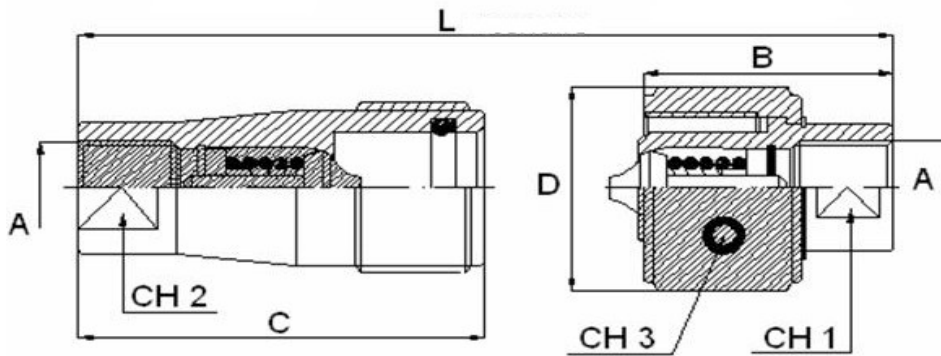
- . facile da collegare e scollegare con una sola mano
- . intercambiabilità secondo ISO 7241 - A e ISO 5675
- . materiale: acciaio al carbonio
- . guarnizioni in gomma NBR resistente olio
- . back-up guarnizioni in PTFE
- . temperatura di esercizio: -20 ° C / +100 ° C
- . *easy to connect and disconnect with one hand only*
- . *interchangeability according to ISO 7241 - A and ISO 5675*
- . *material: carbon steel*
- . *standard seals in NBR oil resistant rubber*
- . *back-up seals in PTFE*
- . *working temperature: -20°C / +100°C*

SERIE S S SERIES
VITE DI CONNESSIONE SCREW TO CONNECT

Diametri da 1/4" a 1.1/2" *Sizes from 1/4" to 1.1/2"*



Diametri da 2" a 3" *Sizes from 2" to 3"*

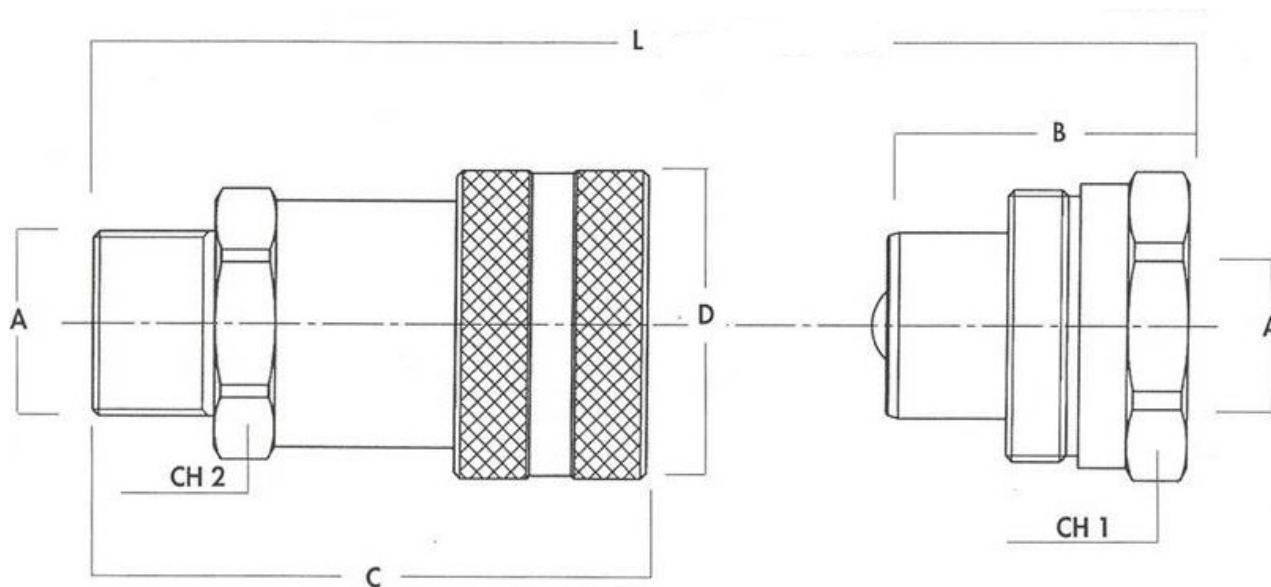


BASE	Ø		CODE			Ø A	B		C		Ø D		L		CH 1		CH 2		CH 3		max W.P.	
	mm	inch	MALE	FEMALE	COMPLETE		mm	inch	mm	inch	mm	inch	mm	inch	mm	inch	mm	inch	mm	inch	bar	psi
04	6	1/4"	SM1004	SF1004	SC1004	1/4" BSP	39	1,54	50	1,97	31	1,22	72	2,83	17	0,67	19	0,75	28	1,10	500	7250
06	10	3/8"	SM1006	SF1006	SC1006	3/8" BSP	44	1,73	58	2,28	38	1,50	83	3,27	20	0,79	27	1,06	34	1,34	450	6525
08	12	1/2"	SM1008	SF1008	SC1008	1/2" BSP	47	1,85	75	2,95	47	1,85	100	3,94	27	1,06	32	1,26	42	1,65	400	5800
12	20	3/4"	SM1012	SF1012	SC1012	3/4" BSP	50	1,97	91	3,58	56	2,20	118	4,65	32	1,26	38	1,50	50	1,97	350	5075
16	25	1"	SM1016	SF1016	SC1016	1" BSP	63	2,48	89	3,50	67	2,64	120	4,72	41	1,61	45	1,77	60	2,36	300	4350
20	32	1.1/4"	SM1020	SF1020	SC1020	1.1/4" BSP	70	2,76	105	4,13	79	3,11	141	5,55	50	1,97	55	2,17	65	2,56	250	3625
24	38	1.1/2"	SM1024	SF1024	SC1024	1.1/2" BSP	72	2,83	105	4,13	90	3,54	141	5,55	55	2,17	60	2,36	70	2,76	220	3190
32	50	2"	SM1032	SF1032	SC1032	2" BSP	85	3,35	130	5,12	135	5,31	172	6,77	80	3,15	80	3,15	220	8,66	150	2175
40	63	2.1/2"	SM1040	SF1040	SC1040	2.1/2" BSP	85	3,35	130	5,12	135	5,31	172	6,77	85	3,35	85	3,35	220	8,66	120	1740
48	76	3"	SM1048	SF1048	SC1048	3" BSP	105	4,13	166	6,54	150	5,91	212	8,35	100	3,94	100	3,94	315	12,40		

- . per applicazioni pesanti
- . materiale: acciaio al carbonio
- . guarnizioni in gomma NBR resistente olio
- . back-up guarnizioni in PTFE
- . temperatura di esercizio: -20 ° C / +100 ° C

- . *for heavy duty applications*
- . *material: carbon steel*
- . *standard seals in NBR oil resistant rubber*
- . *back-up seals in PTFE*
- . *working temperature: -20°C / +100°C*

SERIE J J SERIES
VITE DI CONNESSIONE SCREW TO CONNECT
connessione a vite per martinetti idraulici - screw to connect for Hydraulic Jacks

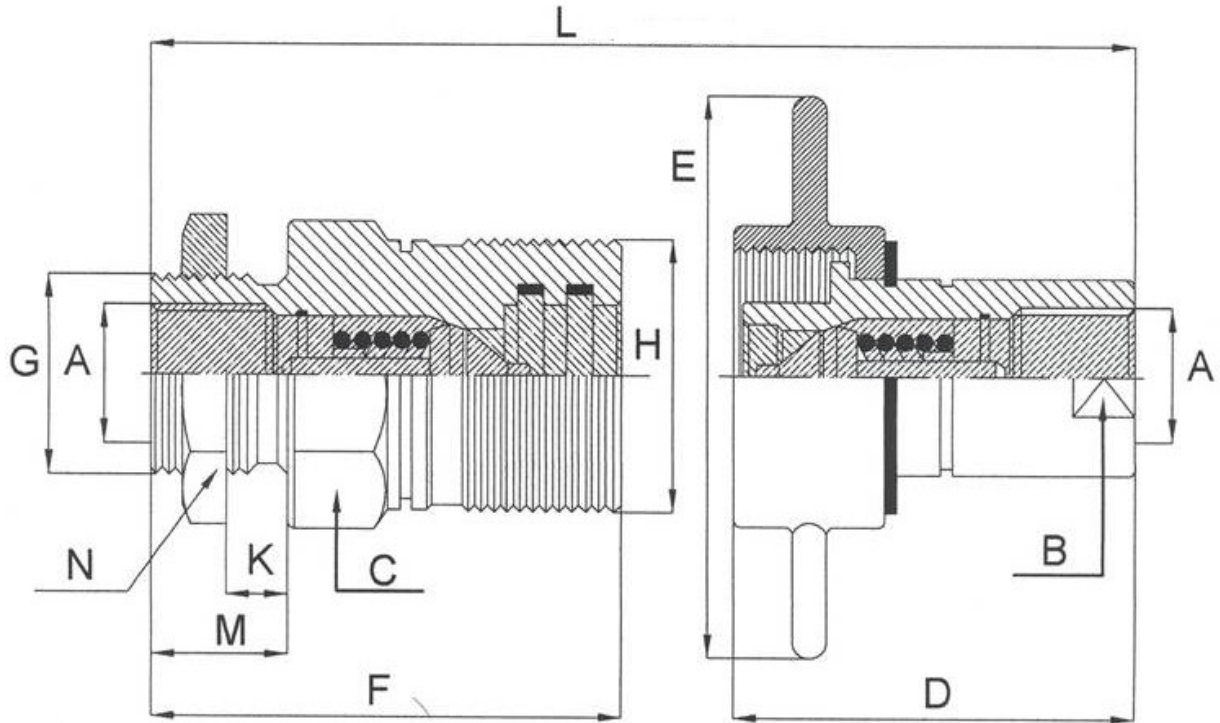


BASE	Ø		CODE			Ø A	B		C		Ø D		L		CH 1		CH 2		max W.P.		min B.P.	
	mm	inch	MALE	FEMALE	COMPLETE		mm	inch	mm	inch	mm	inch	mm	inch	mm	inch	mm	inch	bar	psi	bar	psi
04	6	1/4"	JM2504	JF2504	JC2504	1/4" NPT	40	1,57	72,3	2,85	35	1,38	86,9	3,42	32	1,26	24	0,94	700	10150	1850	26825
06	10	3/8"	JM2506	JF2506	JC2506	3/8" NPT	40	1,57	72,3	2,85	35	1,38	86,9	3,42	32	1,26	24	0,94	700	10150	1850	26825

- . per applicazioni pesanti
- . materiale: acciaio al carbonio
- . valvola a sfera. guarnizioni in gomma NBR resistente olio
- . back-up guarnizioni in PTFE
- . temperatura di esercizio: -20 ° C / +100 ° C

- . *for heavy duty applications*
- . *material: carbon steel*
- . *ball valve*
- . *standard seals in NBR oil resistant rubber*
- . *back-up seals in PTFE*
- . *working temperature: -20°C / +100°C*

SERIE ST ST SERIES
VITE DI CONNESSIONE SCREW TO CONNECT



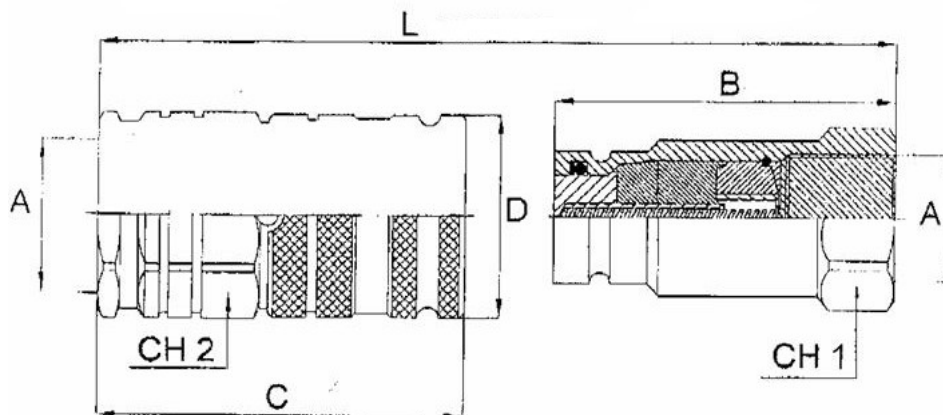
BASE	Ø		CODE			Ø A	B	C	Ø D	E	Ø D	F	G	H	K	L	M	N	max W.P.	
	mm	inch	MALE	FEMALE	COMPLETE		mm	mm	mm	mm	mm	mm	inch	mm	mm	inch	mm	mm	bar	psi
12	16		SMT1012	SFT1012	STC1012	3/4" BSP	33	46,0	78	115	78	78	1.1/4" BSP	44x2,5	10,5	137	20	50	250	3625
16	20		SMT1016	SFT1016	STC1016	1" BSP	40	55,0	83	115	83	83	1.1/4" BSP	54x2,5	16,5	154	26	50	250	3625

- . per applicazioni pesanti
- . materiale: acciaio al carbonio
- . valvola a sfera
- . guarnizioni in gomma NBR resistente olio
- . back-up guarnizioni in PTFE
- . temperatura di esercizio: -20 ° C / +100 ° C

- . *for heavy duty applications*
- . *material: carbon steel*
- . *ball valve*
- . *standard seals in NBR oil resistant rubber*
- . *back-up seals in PTFE*
- . *working temperature: -20°C / +100°C*

SERIE F FACCIA PIANA *F SERIES FLAT FACE*

ISO 16028



BASE	Ø		CODE			Ø A		B		C		Ø D		L		CH 1		CH 2		max W.P.		
	mm	inch	MALE	FEMALE	COMPLETE	mm	inch	mm	inch	mm	inch	mm	inch	mm	inch	mm	inch	mm	inch	bar	psi	
04	6	1/4"	FM10-04	FF10-04	FC10-04	1/4" BSP	57	2,24	63	2,48	28	1,10	108	4,25	22	0,87	24	0,94			400	5800
			FM15-04	FF15-04	FC15-04	1/4" NPTF																
06	10	3/8"	FM10-06	FF10-06	FC10-06	3/8" BSP	68	2,68	72	2,83	31	1,22	121	4,76	24	0,94	30	1,18			375	5438
			FM15-06	FF15-06	FC15-06	3/8" NPTF																
08	12	1/2"	FM10-08	FF10-08	FC10-08	1/2" BSP	68	2,68	72	2,83	32	1,26	121	4,76	27	1,06	30	1,18			350	5075
			FM15-08	FF15-08	FC15-08	1/2" NPTF																
12	20	3/4"	FM10-12	FF10-12	FC10-12	3/4" BSP	70	2,76	87	3,43	38	1,50	135	5,31	36	1,42	36	1,42			350	5075
			FM15-12	FF15-12	FC15-12	3/4" NPTF																
16	25	1"	FM10-16	FF10-16	FC10-16	1" BSP	83	3,27	98	3,86	48	1,89	158	6,22	46	1,81	46	1,81			350	5075
			FM15-16	FF15-16	FC15-16	1" NPTF																
20	32	1.1/4"	FM10-20	FF10-20	FC10-20	1.1/4" BSP	90	3,54	106	4,17	55	2,17	173	6,81	55	2,17	55	2,17			350	5075
			FM15-20	FF15-20	FC15-20	1.1/4" NPTF																
24	38	1.1/2"	FM10-24	FF10-24	FC10-24	1.1/2" BSP	111	4,37	133	5,24	80	3,15	215	8,46	70	2,76	65	2,56			250	3625
			FM15-24	FF15-24	FC15-24	NPTFBSP																

- . faccia piana, antinquainamento
- . manica con dispositivo di sicurezza per impedire il distacco accidentale
- . di lunga durata
- . intercambiabilità secondo ISO 16028
- . materiale: acciaio al carbonio
- . guarnizioni in gomma NBR resistente olio
- . back-up guarnizioni in PTFE
- . temperatura di esercizio: -20 ° C / +100 ° C
- . *flat face, antipollution*
- . *sleeve with safety device to prevent accidental disconnection*
- . *long lasting*
- . *interchangeability according to ISO 16028*
- . *material: carbon steel*
- . *standard seals in NBR oil resistant rubber*
- . *back-up seals in PTFE*
- . *working temperature: -20°C / +100°C*